

# Product Catalogue

**B**BULGIN

Issue No 83



<b>BATTERY HOLDERS</b>		<b>5-12</b>
	IP67 Sealed 7 Panel Mounting 8-9 PCB/Base Mounting 10-11	
<b>HAZARDOUS AREA CONNECTORS</b>		<b>13-18</b>
	EXPlora - Zone 2 and 22 13-18	
<b>IP68 SEALED CIRCULAR CONNECTORS FOR POWER</b>		<b>19-44</b>
	900 Series Buccaneer 20-25 Standard Buccaneer 26-34 Mini Buccaneer 35-38 400 Series Buccaneer 39-44	
<b>IP68 SEALED CIRCULAR CONNECTORS FOR DATA</b>		<b>45-72</b>
	Ethernet Buccaneer 46-51 USB Buccaneer 52-57 Mini USB Buccaneer 58-62 FireWire Buccaneer 63-66 SMB Buccaneer 67-69 Wireless Buccaneer 70-72	
<b>IEC CONNECTORS EN60 320 CONNECTORS</b>		<b>73-146</b>
	Inlet and Outlet Connectors 73-97 Distribution Units 99-103 Polysnap Connection Modules 105-129 EMI Mains Filters 131-145	
<b>FUSEHOLDERS</b>		<b>147-164</b>
	Panel Mounting 147-155 IP68 Panel Mounting 156-157 PC Mounting 158-160 Base Mounting 160-161 In-line 162	
<b>INDICATORS</b>		<b>165-172</b>
	Vandal Resistant LED 166-167 LED Bezel 168-169	
<b>SWITCHES</b>		<b>173-196</b>
	Vandal Resistant 174-187 Push Button 188-195 Voltage Selectors 196	
<b>INDEXES and GENERAL INFORMATION</b>		<b>197-212</b>

BATTERY HOLDERS

EXPLORA

BUCCANEER POWER

BUCCANEER DATA

IEC CONNECTORS

FUSEHOLDERS

INDICATORS

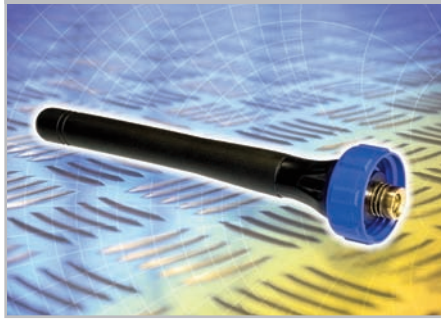
SWITCHES

## EXPLORA



ATEX Zone 2 & Zone 22 Hazardous Area approved connectors. **Page: 13-18**

## ANTENNA



IP68 rated antenna with a 50Ω SMB interface for three frequency bands. **Page: 71**

## MINI USB BUCCANEER



IP68 rated mini USB connections with mini 'A', mini 'B' and mini 'AB' interfaces. **Page: 58**

## CABLE REPLACEMENT



Waterproof wireless serial data connections using RS232/RS485 to bluetooth adaptors. **Page: 72**

## OVERMOULDED CONNECTORS



400 Series & Standard Buccaneer connectors with overmoulded cable preparation. **Pages: 27 & 40**

## MPI LOW VOLTAGE



Illuminated vandal resistant switches with integral TVS and LED voltage for 6, 12 & 24V. **Pages: 179 & 180**

## MPI SEALED



Illuminated vandal resistant switches with front and rear of panel sealing to IP66. **Page: 181**

## FUSEHOLDERS

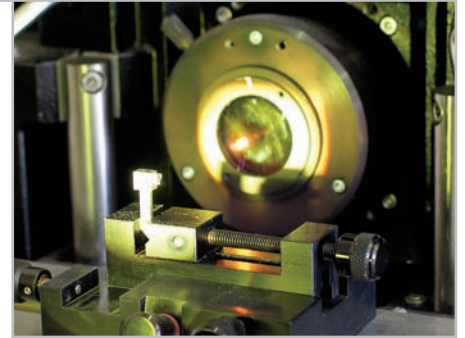


Two vertically mounted PCB fuseholders for use with 5 x 20mm fuses. **Page: 159**



**EXPERTISE**

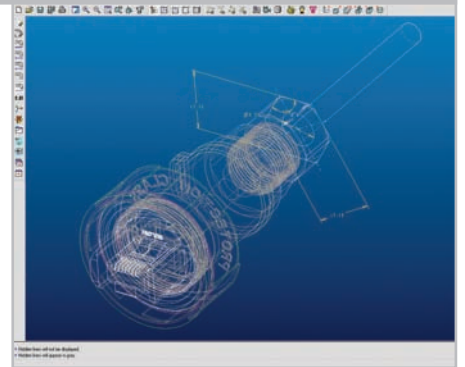
Bulgin, now part of Elektron Technology, has over 80 years experience in the electro-mechanical market and are a major supplier satisfying the most demanding of uses and applications. Customers are able to rely on the stability, quality and range of expertise that this level of experience brings. The company recognises the most prevalent customer demands of quality, reliability and availability of products at a fair price. This 'value' principle continues to be the basis for all business decisions within the company, a major part of which is the ability to control all processes from beginning to end.

**MANUFACTURE**

The requirement for careful process control has led the company to maintain nearly all its manufacturing 'in-house', with tooling, injection moulding, metal forming and CNC machining all undertaken in our own factories. This vertically integrated philosophy enables the production of over 20 million finished products annually built using semi and fully automated assembly machinery consuming over 80 million mouldings and 200 million piece parts per year. This approach retains control over the entire manufacturing process, from raw materials through to production, inspection and testing.

**DESIGN**

New products are an integral part of Bulgin's brand development and reducing time to market for standard and customer driven requirements is paramount. All new product developments are managed through multidiscipline project teams with the design engineers using the latest 3D CAD modelling systems to ensure that time from concept through rapid prototyping to production is kept to a minimum. This rare degree of flexibility allows a speedy and accurate response to specific customer development requests, both for minor modifications as well as major projects.

**DISTRIBUTION**

The last link in the chain is the availability of product. Here Elektron Technology is supported by a network of global and local distributors who provide service and support when and where it is needed for Bulgin products.





IT'S QUALITY THAT COUNTS



Certificate No. FM544884  
Certificate No. FM87532

Good design, high quality and maximum value have formed an integral part of the Bulgin philosophy.

We maintain a documented quality plan specifying process and product goals and are approved by BSI to ISO9001:2008.

Investment in new plant and equipment makes an important contribution to continuous quality improvements. The risk of errors in the transition from design to manufacture is greatly reduced by the digital data flows from our CAD system, and our sophisticated automatic manufacturing equipment which can form and assemble components to consistently high quality standards.

Two ISO9001 approvals cover our design and manufacturing sites: certificate FM544884 covers our design procedures, and certificate FM87532 our manufacture processes.

APPROVALS

All new products are extensively pre-production tested, in our dedicated electrical and mechanical test facility, which also conducts regular checks during manufacture.

The numerous international safety approvals gained are testimony in themselves to Bulgin's ongoing commitment to quality and the world wide market place.



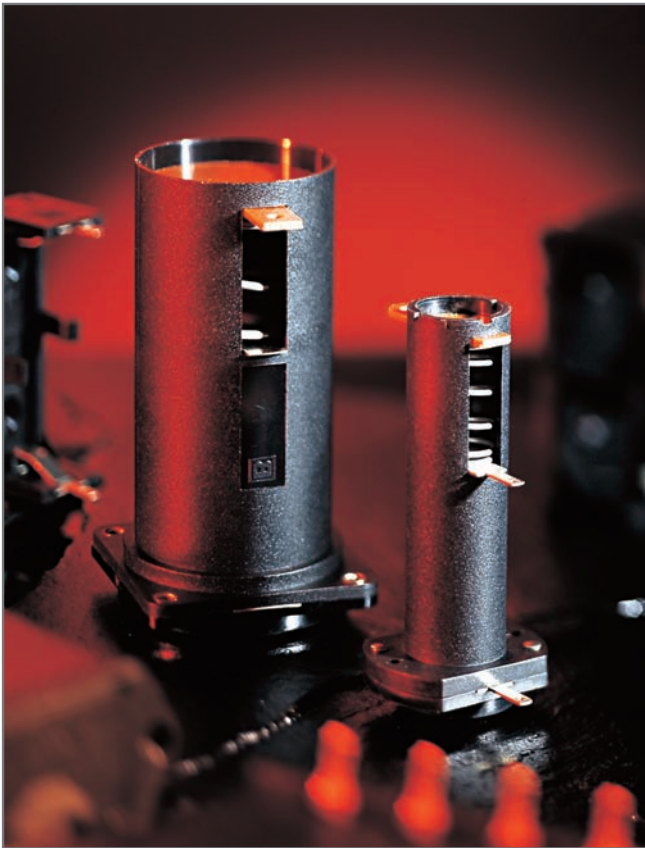
ROHS AND WEEE DIRECTIVES

These European Directives introduced environmental responsibilities for electrical and electronics equipment manufacturers. The RoHS (Restriction of use of certain Hazardous Substances) regulation (Directive 2002/95/EC) came into force July 2006. The WEEE (Waste Electrical and Electronic Equipment) regulation (Directive 2002/96/EC), came into force January 2007.

The RoHS directive effectively bans the use of certain chemicals, these are defined as:

- Lead
- Cadmium
- Mercury
- Hexavalent Chromium
- Polybrominated Biphenyl (PBB) - flame retardant
- Polybrominated Diphenyl Ether (PBDE) - flame retardant (including Deca BDE)

Action has been taken to ensure all standard products meet the requirements of this directive. All packing carries RoHS compliance information as conformation.



# Battery Holders

Manufactured from quality moulding and metal components to ensure a secure and reliable connection, Bulgin's battery holder range caters for battery sizes AAA(R03), AA(R6), C(R14), CR123, D(R20) and PP3(6R61), accommodating 1, 2, 3 or 4 cells.

There's a choice of fixing styles including screw and flange panel fixing, PCB and base mounting versions.

The panel mounting versions are now available in two styles; standard fixing and front panel sealed to IP67, extending the applications into harsher external environments where dust or water would inhibit equipment operation.

The open frame styles are designed to be either PCB or base mounted and most have an interlocking facility to join adjacent holders together.

Principle applications include portable equipment and memory back-up.

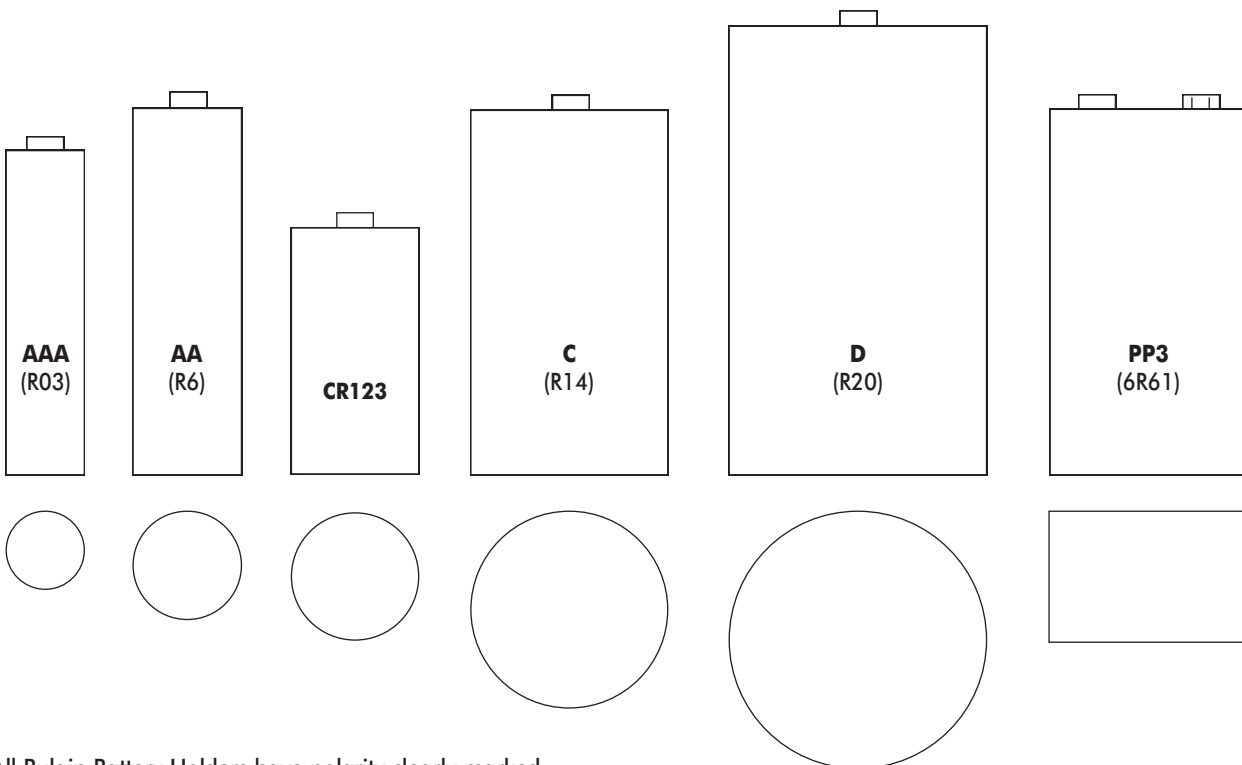
Type	Cell Size	Page
<b>Panel Mounting (sealed to IP67)</b>		
BXS011/1-BXS013/1	AA	7
BXS001/1-BXS003/1	C	7
BXS016-BXS018	D	7
<b>Panel Mounting</b>		
BX0011/1-BX0013/1	AA	8
BX0027	AA	8
BX0001/1-BX0003/1	C	8
BX0016-BX0018	D	9
BX0023	PP3	9
BX0026	PP3	9
<b>PC/Base Mounting</b>		
BX0123	CR123	10
BX0034	AAA	10
BX0035	AA	10
BX0036	C	11
BX0037	D	11
BX0033	PP3	11

## Battery Holder Selector

### Maximum Battery Size to BSEN 60086-1 and -2

Battery size	Battery Dimensions	No. of Cells	Mounting	Part No.
AAA (R03)	Ø10.5 x 44.5	1	PCB/Base	BX0034
AA (R6)	Ø14.5 x 50.5	1	PCB/Base	BX0035
		1	Panel	BX0011/1
		2	Panel	BX0012/1
		3	Panel	BX0013/1
		4	Panel	BX0027
		1	Panel Sealed	BXS011/1
		2	Panel Sealed	BXS012/1
		3	Panel Sealed	BXS013/1
CR123	Ø17.0 x 34.5	1	PCB/Base	BX0123
C (R14)	Ø26.2 x 50	1	PCB/Base	BX0036
		1	Panel	BX0001/1
		2	Panel	BX0002/1
		3	Panel	BX0003/1
		1	Panel Sealed	BXS001/1
		2	Panel Sealed	BXS002/1
		3	Panel Sealed	BXS003/1
D (R20)	Ø34.2 x 61.5	1	PCB/Base	BX0037
		1	Panel	BX0016
		2	Panel	BX0017
		3	Panel	BX0018
		1	Panel Sealed	BXS016
		2	Panel Sealed	BXS017
		3	Panel Sealed	BXS018
PP3 (6R61)	W26.5 x D17.5 x H48.5	1	PCB/Base	BX0033
		1	Panel	BX0023
		2	Panel	BX0026

Note: As batteries from different manufacturers may vary slightly in size, Dimensions & Drawings are approximate only.

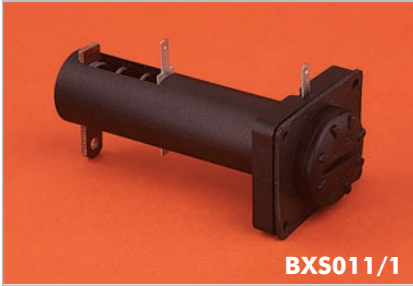


All Bulgin Battery Holders have polarity clearly marked



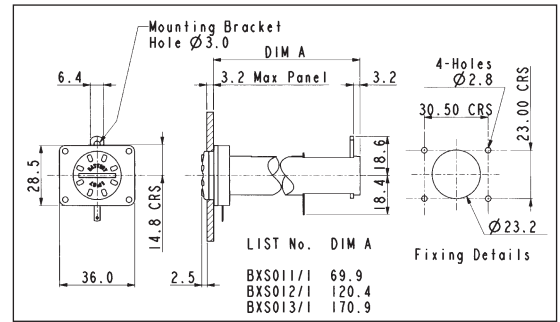
Front panel sealed to IP67

**AA SIZE BATTERY HOLDER**



**BXS011/1**

- 1, 2 or 3 Cells
- Flanged Panel Mount
- Bayonet with finger/coin slot release
- Supplied with gasket and sealing grommets for screws

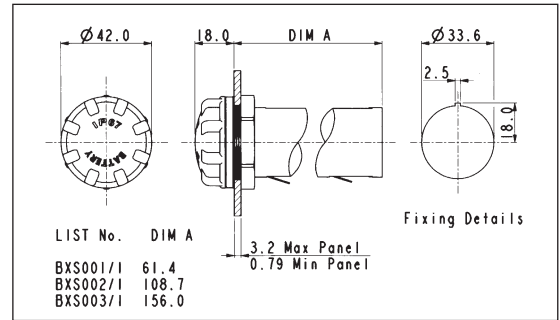


**C SIZE BATTERY HOLDER**

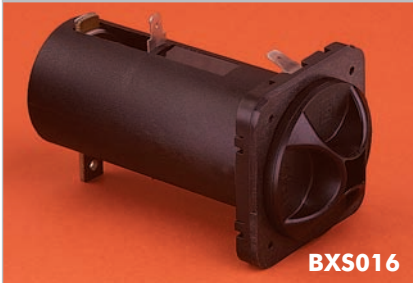


**BXS001/1**

- 1, 2 or 3 Cells
- Panel Mount
- Screw Cap/Hand release
- Supplied with gasket

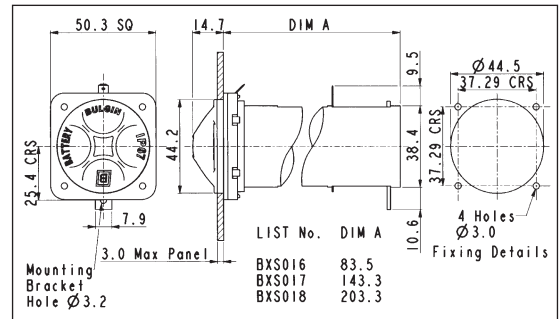


**D SIZE BATTERY HOLDER**



**BXS016**

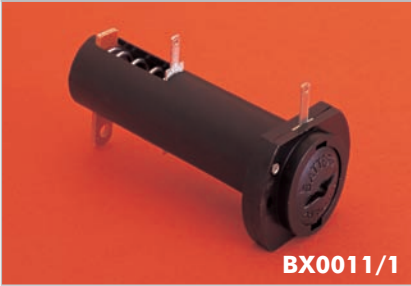
- 1, 2 or 3 Cells
- Flanged Panel Mount
- Bayonet/finger release
- Supplied with flange gasket and sealing grommets for screws



Specification	BXS011/1, BXS012/1, BXS013/1	BXS001/1, BXS002/1, BXS003/1	BXS016, BXS017, BXS018
Battery/Cell Type:	AA (R6)	C (R14)	D (R20)
No. Cells:	BXS011/1 - 1 cell BXS012/1 - 2 cells BXS013/1 - 3 cells	BXS001/1 - 1 cell BXS002/1 - 2 cells BXS003/1 - 3 cells	BXS016 - 1 cell BXS017 - 2 cells BXS018 - 3 cells
Terminations:	2.8 series tabs/solder tags	2.8 series tabs/solder tags	4.8 series tabs/solder tags
Operating Temperature:	-30°C to +70°C	-30°C to +70°C	-30°C to +70°C
Mouldings:	Nylon Glass filled Polyester Polycarbonate	Nylon Glass filled Polyester	Nylon Glass filled Polyester
Flammability Rating:	UL94V-0	UL94V-0	UL94V-0
Contacts:	Brass, Tin Plated - rear contact Nickel Silver, clean - front contact and cap contact plate	Brass, Tin Plated - front and rear contacts Nickel Silver, clean - cap contact plate	Brass, Nickel Plated - front and rear contacts and cap contact plate
Features:	Bayonet cap with finger grip and coin slot Rear support bracket	Screw on cap with finger grip Recommended torque for panel ring 1.13-1.7Nm (10-15lbf.in)	Bayonet cap with finger grip Rear support bracket
Sealing (front of panel):	Protection classification IP67, BS60529:1992	Protection classification IP67, BS60529:1992	Protection classification IP67, BS60529:1992
Notes:	Recommend 2 & 3 cell versions are supported by rear bracket		Recommend 2 & 3 cell versions are supported by rear bracket
RoHS	Compliant	Compliant	Compliant

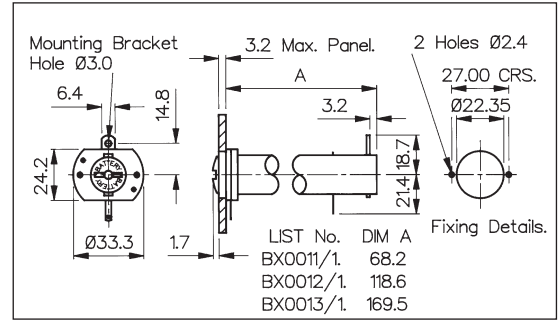
## Panel Mounting

### AA SIZE BATTERY HOLDER

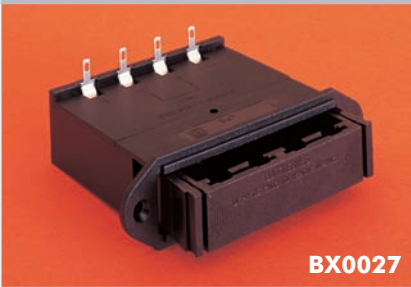


**BX0011/1**

- 1, 2 or 3 Cells
- Flanged Panel Mount
- Bayonet/Screwdriver release

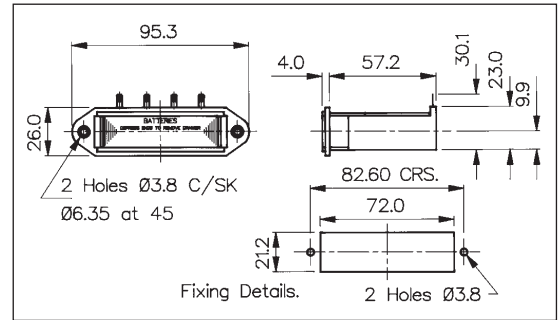


### AA SIZE BATTERY HOLDER



**BX0027**

- 4 Cells
- Flanged Panel Mount
- Drawer function

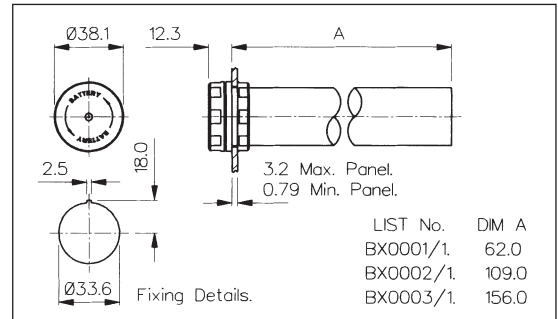


### C SIZE BATTERY HOLDER



**BX0001/1**

- 1, 2 or 3 Cells
- Panel Mount
- Screw Cap/Hand release



Specification	BX0011/1, BX0012/1, BX0013/1	BX0027	BX0001/1, BX0002/1, BX0003/1
Battery/Cell Type:	AA (R6)	AA (R6)	C (R14)
No. Cells:	BX0011/1 - 1 cell BX0012/1 - 2 cells BX0013/1 - 3 cells	4 cells	BX0001/1 - 1 cell BX0002/1 - 2 cells BX0003/1 - 3 cells
Terminations:	2.8 series tabs/solder tags	4 solder tags (can be wired in series or in pairs)	2.8 series tabs/solder tags
Operating Temperature:	-30°C to +70°C	-30°C to +70°C	-30°C to +70°C
Flammability Rating:	UL94V-0	UL94V-0	UL94V-0
Mouldings:	Glass Filled Nylon & Polyester	Glass Filled Nylon	Nylon & Glass Filled Nylon
Contacts:	Brass, Tin Plated Nickel Silver, clean	Phosphor Bronze, Tin Plated Nickel Silver, clean	Nickel Silver, clean Brass, Tin Plated
Features:	Bayonet cap with coin slot Rear support bracket	Removable loading/latching drawer	Screw on cap. Recommended torque for panel ring 1.13-1.7Nm (10-15lbf.in)
Notes:	Recommend 2 & 3 cell versions are supported by rear bracket		
<b>RoHS</b>	Compliant	Compliant	Compliant

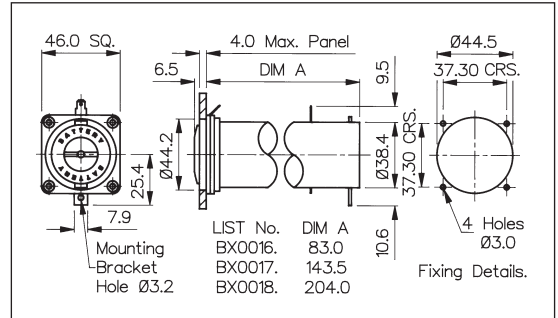
**Panel Mounting**

**D SIZE BATTERY HOLDER**

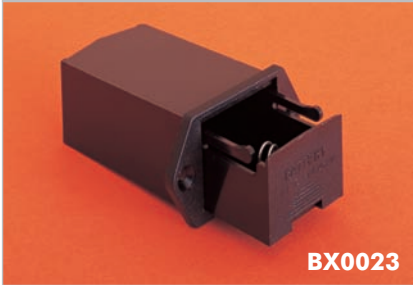


**BX0016**

- 1, 2 or 3 Cells
- Flanged Panel Mount
- Bayonet/Screwdriver release

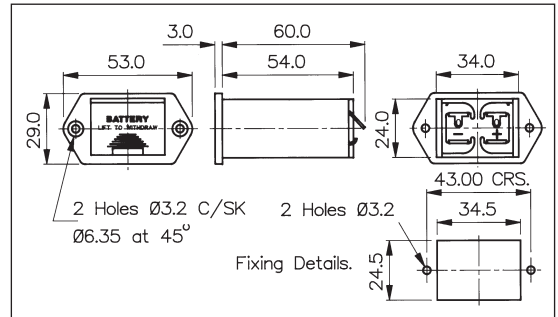


**PP3 SIZE BATTERY HOLDER**

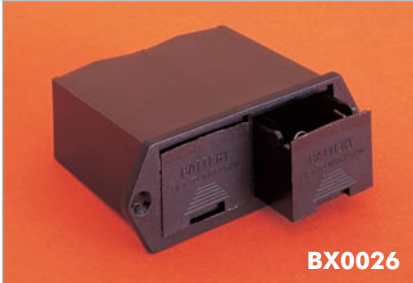


**BX0023**

- 1 Cell
- Flanged Panel Mount
- Drawer function

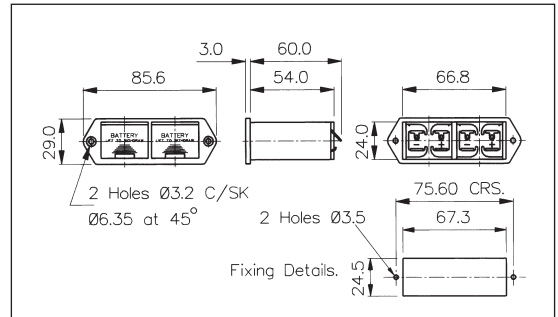


**PP3 SIZE BATTERY HOLDER**



**BX0026**

- 2 Cells
- Flanged Panel Mount
- Drawer function

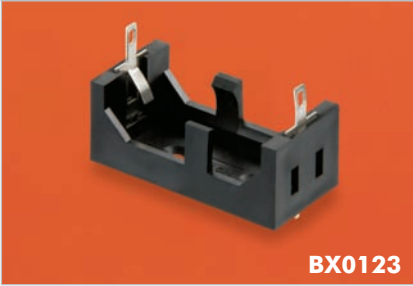


Specification	BX0016, BX0017, BX0018	BX0023	BX0026
Battery/Cell Type:	D (R20)	PP3 (6R61)	PP3 (6R61)
No. Cells:	BX0016 - 1 cell BX0017 - 2 cells BX0018 - 3 cells	1 cell	2 cells
Terminations:	4.8 series tabs/solder tags	Solder tag	Solder tag
Operating Temperature:	-30°C to +70°C	-30°C to +70°C	-30°C to +70°C
Flammability Rating:	UL94V-0	UL94V-0	UL94V-0
Mouldings:	Nylon & Polycarbonate	Glass Filled Nylon	Glass Filled Nylon
Contacts:	Brass, Nickel Plated	Phosphor Bronze, Tin Plated	Phosphor Bronze, Tin Plated
Features:	Bayonet cap with coin slot Rear support bracket	Removable loading drawer	Removable loading drawers
Notes:	Recommend 2 & 3 cell versions are supported by rear bracket		
RoHS	Compliant	Compliant	Compliant

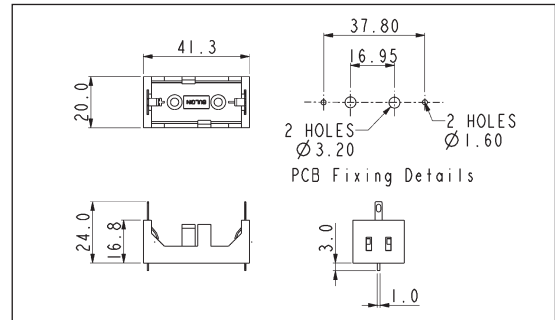


## PC/Base Mounting

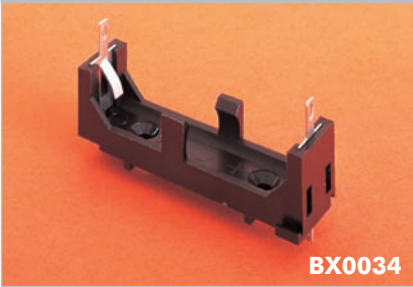
### CR123 SIZE BATTERY HOLDER


**BX0123**

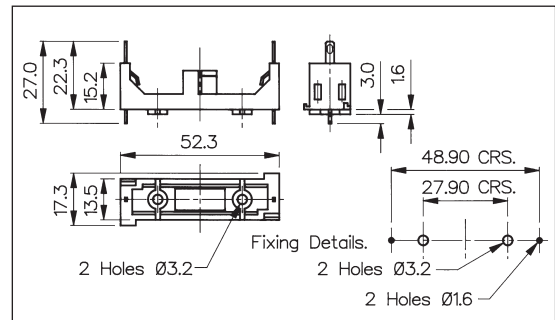
- 1 Cell
- PC/Base Mount
- Open style



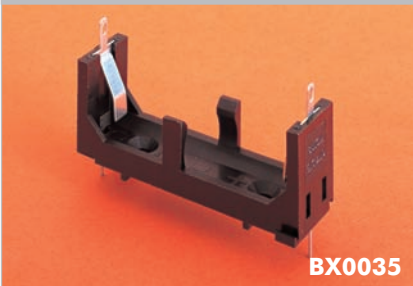
### AAA SIZE BATTERY HOLDER


**BX0034**

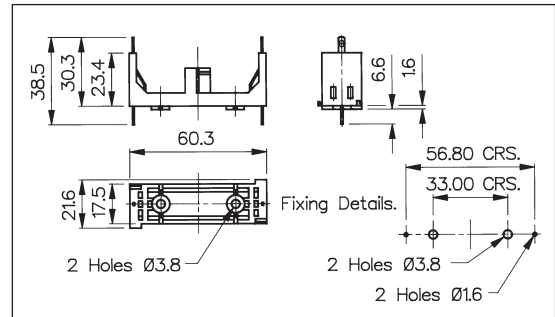
- 1 Cell
- PC/Base Mount
- Open style



### AA SIZE BATTERY HOLDER


**BX0035**

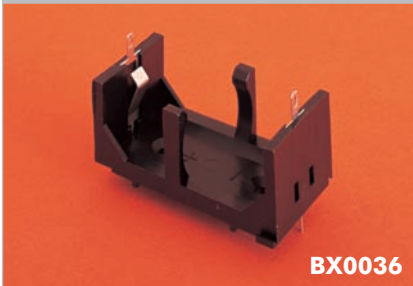
- 1 Cell
- PC/Base Mount
- Open style



Specification	BX0123	BX0034	BX0035
Battery/Cell Type:	CR123	AAA (R03)	AA (R6)
No. Cells:	1 cell	1 cell	1 cell
Terminations:	Dual connections, P.C. spills & 2.8 series tabs/solder tags. (P.C. spills may be removed if required)	Dual connections, P.C. spills & 2.8 series tabs/solder tags. (P.C. spills may be removed if required)	Dual connections, P.C. spills & 2.8 series tabs/solder tags. (P.C. spills may be removed if required)
Operating Temperature:	-30°C to +70°C	-30°C to +70°C	-30°C to +70°C
Mouldings:	Glass Filled Nylon	Glass Filled Nylon	Glass Filled Nylon
Contacts:	Nickel Silver, clean	Nickel Silver, clean	Nickel Silver, clean
Features:		Interlocking for multiple assemblies	Interlocking for multiple assemblies
<b>RoHS</b>	Compliant	Compliant	Compliant

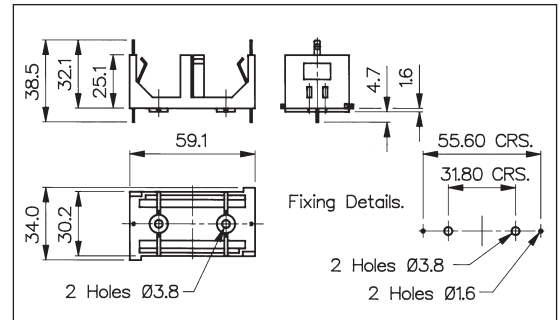
PC/Base Mounting

C SIZE BATTERY HOLDER

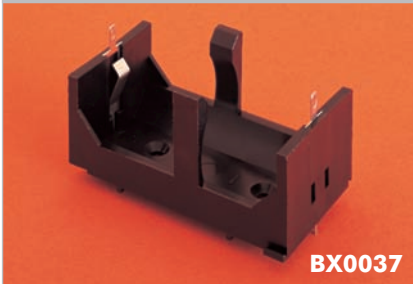


**BX0036**

- 1 Cell
- PC/Base Mount
- Open style

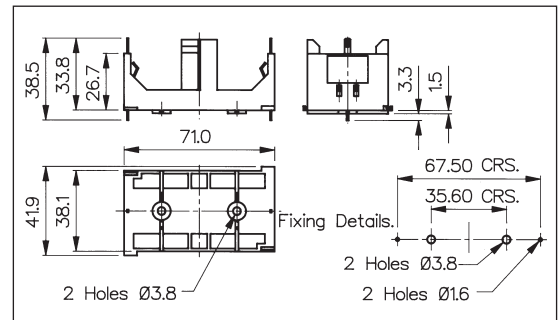


D SIZE BATTERY HOLDER



**BX0037**

- 1 Cell
- PC/Base Mount
- Open style

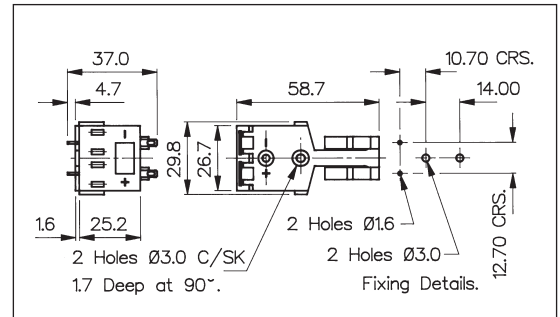


PP3 SIZE BATTERY HOLDER



**BX0033**

- 1 Cell
- PC/Base Mount
- Open style



Specification	BX0036	BX0037	BX0033
Battery/Cell Type:	C (R14)	D (R20)	PP3 (6R61)
No. Cells:	1 cell	1 cell	1 cell
Terminations:	Dual connections, P.C. spills & 2.8 series tabs/solder tags. (P.C. spills may be removed if required)	Dual connections, P.C. spills & 2.8 series tabs/solder tags. (P.C. spills may be removed if required)	Dual connections, P.C. spills & 2.8 series tabs/solder tags. (P.C. spills may be removed if required)
Operating Temperature:	-30°C to +70°C	-30°C to +70°C	-30°C to +70°C
Mouldings:	Glass Filled Nylon	Glass Filled Nylon	Glass Filled Nylon
Contacts:	Nickel Silver, clean	Nickel Silver, clean	Nickel Silver, clean
Features:	Interlocking for multiple assemblies	Interlocking for multiple assemblies	
<b>RoHS</b>	Compliant	Compliant	Compliant



IP68

# EXPlora



Independently tested for compliance to ATEX standards for use in Zone 2 and Zone 22 environments, the new EXP series is manufactured from a tough, high grade UL94V-0 rated Polyester material and provides environmental sealing to IP68. The ATEX coding is: Ex II 3 GD and the certificated no: Baseefa09ATEX0232X.

EXPlora is rated up to 18A, 600Vac/dc for 2, 3, 4 and 5 poles, 16A, 430Vac/dc for 7 pole and 10A, 250Vac/dc for 10 poles. The 3, 4, 5 and 7 pole versions have leading earth contacts making them suitable for single or three phase applications.

The EXPlora range is most suited to manufacturers of ancillary electrical equipment such as motors, pumps, lighting equipment, process and control gear for use in factories and plant where hazardous, or explosive atmospheres can be caused by flammable gases, mists or vapours or by combustible dusts.

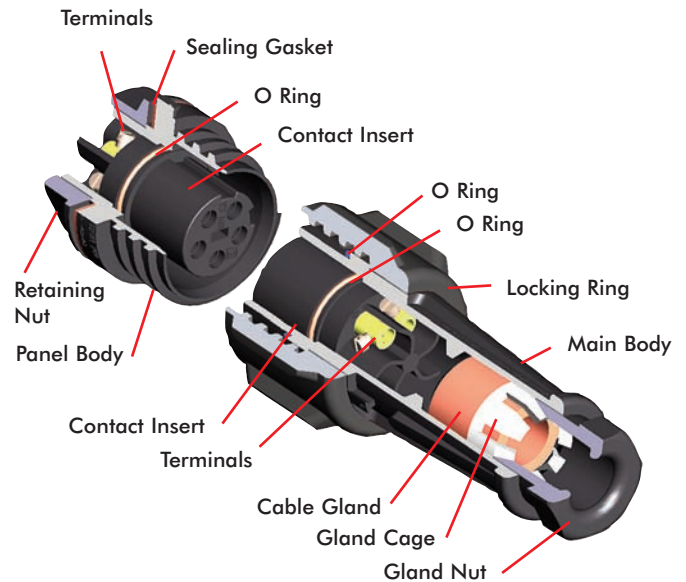
Type		Page
<b>EXPlora</b>		
EXP-0911	Cable Connector	15
EXP-A911	Cable Connector - Large dia. cable	15
EXP-0921	In-line Cable Connector	15
EXP-A921	In-line Cable Connector - Large dia. cable	15
EXP-0931	Panel Mounting	16
EXP-0941	Flange Mounting	16
Accessories		16



# EXP Series EXPlora - Hazardous Area



IP68



- ATEX approval for Zone 2 and Zone 22 applications
- Independently tested
- ATEX Coding:  $\text{Ex} \text{II} 3 \text{GD}$
- ATEX Classification: Ex nA IIC T6 Gc  
Ex tc IIIC T85°C Dc
- ATEX Certificate No: Baseefa09ATEX0232X
- IP68 rating tested at 1.054kg/sq cm (15lb/sq in)  
10m depth for 2 weeks
- Up to 18A, 600V ac/dc rating
- 2, 3, 4, 5, 7 and 10 pole
- Leading earth contact for 3, 4, 5 & 7 pole versions
- Trailing Neutral on 5 pole
- Plug or socket connection in each body style
- Water and dustproof to IP68 when mated
- 'Scoop proof' contacts
- Field termination - screw terminations
- Positive locating keyways - cannot be mis-connected
- Sealing caps available to maintain IP68 rating of unmated connectors
- Compact design
- Easy assembly - no special tools required
- Single or 3 phase applications
- Cost effective solution
- Cable acceptance from 7 to 22mm O/D
- Two cable connector versions for 15mm and 22mm (maximum) cable diameters
- Separate strain relief on large cable version

**EXP Series EXPLora - Hazardous Area Connector**

EXPLORA

**FLEX CABLE CONNECTOR**

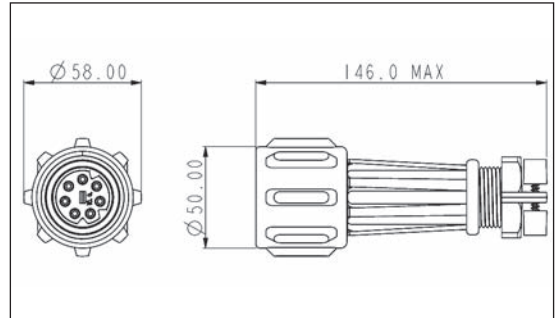
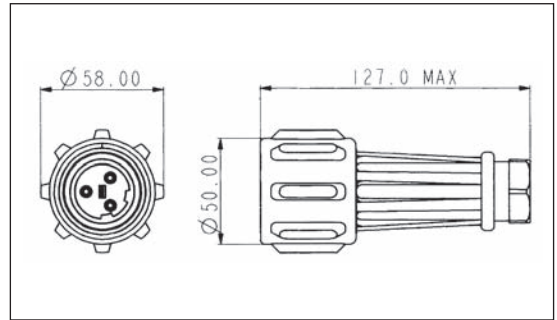


**EXP-0911**



**EXP-A911**

- Mates with in-line flex or panel mounting versions
- Positive, fast acting locking ring - can be turned with a gloved hand
- Plug or socket versions
- EXP-0 Series 13-15mm cable dia. acceptance as standard, 7-13mm with additional gland pack
- EXP-A Series 20-22mm cable dia. acceptance as standard, 14-20mm with additional gland pack
- Strain Relief Clamp (EXP-A Series only)



**Flex Cable**

Standard Cable	Large Cable	Description	Standard Cable	Large Cable	Description
EXP-0911/02/P	EXP-A911/02/P	2 pole Plug	EXP-0911/02/S	EXP-A911/02/S	2 pole Socket
EXP-0911/03/P	EXP-A911/03/P	3 pole Plug	EXP-0911/03/S	EXP-A911/03/S	3 pole Socket
EXP-0911/04/P	EXP-A911/04/P	4 pole Plug	EXP-0911/04/S	EXP-A911/04/S	4 pole Socket
EXP-0911/05/P	EXP-A911/05/P	5 pole Plug	EXP-0911/05/S	EXP-A911/05/S	5 pole Socket
EXP-0911/07/P	EXP-A911/07/P	7 pole Plug	EXP-0911/07/S	EXP-A911/07/S	7 pole Socket
EXP-0911/10/P	EXP-A911/10/P	10 pole Plug	EXP-0911/10/S	EXP-A911/10/S	10 pole Socket

**IN-LINE FLEX CABLE CONNECTOR**

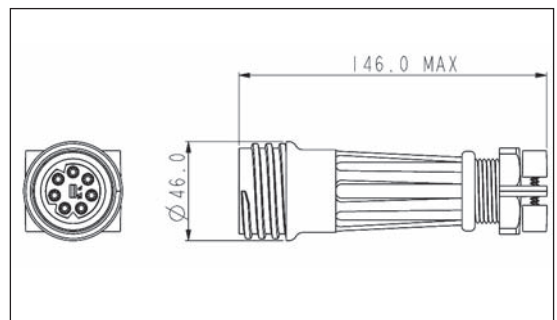
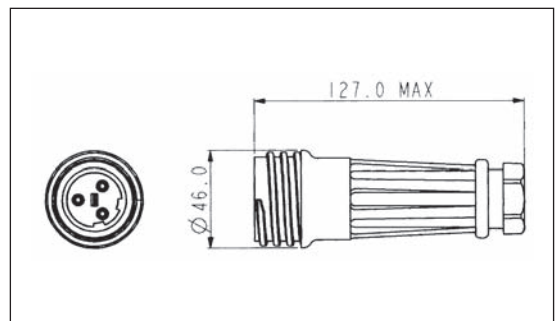


**EXP-0921**



**EXP-A921**

- Mates with either EXP-0911 or EXP-A911 connectors
- Plug or socket versions
- EXP-0 Series 13-15mm cable dia. acceptance as standard, 7-13mm with additional gland pack
- EXP-A Series 20-22mm cable dia. acceptance as standard, 14-20mm with additional gland pack
- Strain Relief Clamp (EXP-A Series only)



**In-Line Flex Cable**

Standard Cable	Large Cable	Description	Standard Cable	Large Cable	Description
EXP-0921/02/P	EXP-A921/02/P	2 pole Plug	EXP-0921/02/S	EXP-A921/02/S	2 pole Socket
EXP-0921/03/P	EXP-A921/03/P	3 pole Plug	EXP-0921/03/S	EXP-A921/03/S	3 pole Socket
EXP-0921/04/P	EXP-A921/04/P	4 pole Plug	EXP-0921/04/S	EXP-A921/04/S	4 pole Socket
EXP-0921/05/P	EXP-A921/05/P	5 pole Plug	EXP-0921/05/S	EXP-A921/05/S	5 pole Socket
EXP-0921/07/P	EXP-A921/07/P	7 pole Plug	EXP-0921/07/S	EXP-A921/07/S	7 pole Socket
EXP-0921/10/P	EXP-A921/10/P	10 pole Plug	EXP-0921/10/S	EXP-A921/10/S	10 pole Socket

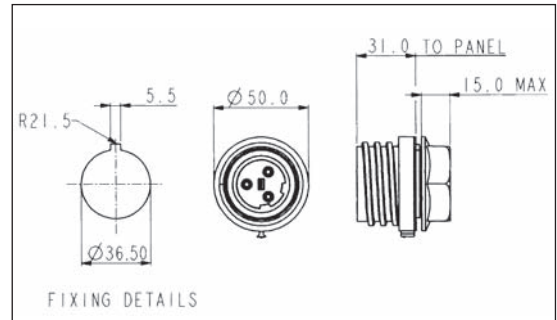
EXP Series EXPLora - Hazardous Area Connector 

PANEL MOUNTING CONNECTOR



**EXP-0931**

- Mates with EXP-0911 and EXP-A911 connectors
- Single hole fixing
- Anti-rotation key
- High grade sealing gasket
- 3-7mm panel thickness



**Panel Mounting**

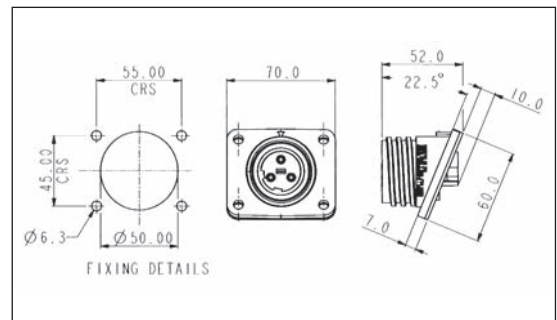
EXP-0931/02/P	2 pole Plug	EXP-0931/02/S	2 pole Socket
EXP-0931/03/P	3 pole Plug	EXP-0931/03/S	3 pole Socket
EXP-0931/04/P	4 pole Plug	EXP-0931/04/S	4 pole Socket
EXP-0931/05/P	5 pole Plug	EXP-0931/05/S	5 pole Socket
EXP-0931/07/P	7 pole Plug	EXP-0931/07/S	7 pole Socket
EXP-0931/10/P	10 pole Plug	EXP-0931/10/S	10 pole Socket

FLANGE MOUNTING CONNECTOR



**EXP-0941**

- Mates with EXP-0911 and EXP-A911 connectors
- Supplied with high grade sealing gasket
- Supplied with sealing grommets for panel fixing screws (M6 thread recommended)



**Flange Mounting**

EXP-0941/02/P	2 pole Plug	EXP-0941/02/S	2 pole Socket
EXP-0941/03/P	3 pole Plug	EXP-0941/03/S	3 pole Socket
EXP-0941/04/P	4 pole Plug	EXP-0941/04/S	4 pole Socket
EXP-0941/05/P	5 pole Plug	EXP-0941/05/S	5 pole Socket
EXP-0941/07/P	7 pole Plug	EXP-0941/07/S	7 pole Socket
EXP-0941/10/P	10 pole Plug	EXP-0941/10/S	10 pole Socket

ACCESSORIES



**EXP-0990, EXP-0991, EXP-0992**

- Heavy duty sealing caps to maintain IP68 rating of unmated connectors, with stainless steel straps

**Sealing Caps**

EXP-0990	Heavy duty sealing cap for use with EXP-0911/xx/x and EXP-A911/xx/x
EXP-0991	Heavy duty sealing cap for use with EXP-0921/xx/x and EXP-A921/xx/x
EXP-0992	Heavy duty sealing cap for use with EXP-0931 and EXP-0941

**Gland Packs**

EXP-0980	Pack of 3 additional cable glands for EXP-0911 and EXP-0921 to suit cable sizes; 11-13mm, 9-11 and 7-9mm dia.
EXP-A980	Pack of 3 additional cable glands for EXP-A911 and EXP-A921 to suit cable sizes; 18-20mm, 16-18 and 14-16mm dia.

**EXP** EXP Series EXPLora - Hazardous Area Connector

**SPECIFICATION**

<b>Electrical:</b>			
No Poles:	2, 3, 4, 5	7	10
Current Rating:	18A	16A	10A
Voltage Rating:	600Vac/dc	430Vac/dc	250Vac/dc
Contact Resistance:	<10mΩ (initial)		
Insulation Resistance:	>10 <sup>6</sup> MΩ (@ 500V dc)		
Dielectric strength:	2.2kV ac min		
AC Breakdown voltage:	6kV		
Ambient Temperature Range:	-20°C to +55°C		
Standards:	ATEX Zone 2 and Zone 22 IEC60079-0:2007 IEC60079-15:2005		
ATEX Coding:	⊕ II 3 GD		
ATEX Certificate No:	Baseefa09ATEX0232X		
ATEX Classification:	Ex nA IIC T6 Gc Ex tc IIIC T85°C Dc		

<b>Materials:</b>	
Body Mouldings:	Polyester
Cap Mouldings:	Polycarbonate
Flammability Rating:	UL94V-0
UV Resistance:	To EN50021:1999
Contacts:	Machined Solid Brass, Nickel plated
O Rings:	Nitrile
Panel Sealing Gasket:	Silicone Rubber
<b>RoHS</b>	Compliant

<b>Mechanical:</b>	
Sealing:	IP68, EN60529:2001 tested @ 1.054kg/sq.cm. (15lb/sq.in.) 10m depth for 2 weeks
Cable Acceptance:	EXP-0911 - EXP-0921 13 - 15mm O/D standard, 7-13mm with gland pack EXP-A911 - EXP-A921 20 - 22mm O/D standard, 14 - 20mm with gland pack
Contact Accommodation:	2-7 pole - 2.5 to 4mm <sup>2</sup> (13 to 10AWG) conductor, single or multi stranded 10 pole - 0.75 to 2mm <sup>2</sup> (14 to 18AWG) conductor, single or multi stranded
Termination:	Axial screw terminals
Cable Retention force:	22mm dia, 150N 15mm dia, 150N 7mm dia, 80N
Gland Nut Torques:	
EXP-0 range	
13-15mm (Yellow - std.)	3.16Nm (28lbf/in)
11-13mm (black)	3.16Nm (28lbf/in)
9-11mm (white)	3.16Nm (28lbf/in)
7-9mm (dark grey)	3.16Nm (28lbf/in)
EXP-A range	
20-22mm (Yellow - std.)	3.16Nm (28lbf/in)
18-20mm (black)	3.16Nm (28lbf/in)
16-18mm (white)	3.16Nm (28lbf/in)
14-16mm (dark grey)	3.16Nm (28lbf/in)
Tightening Torques:	
Panel mount nut	2.25 Nm
Flange & Bulkhead fixing screws	0.9 Nm
Rear thread EXP-0931 series	M36 x 2-6g

EXP Series EXPLora - Hazardous Area Connector 

PART NO SYSTEM

**EXP-09** x x / xx / x / x

**Series Designation**

09 = Standard Cable Accommodation (7-13mm)  
A9 = Large Cable Accommodation (14-22mm)

**Body Styles**

1 = Flex, 2 = Flex In-line, 3 = Panel, 4 = Flange Panel

**Contact Termination**

1 = Screw Terminal

**Number Contacts**

02 = 2 pole, 03 = 3 pole, 04 = 4 pole,  
05 = 5 pole, 07 = 7 pole, 10 = 10 pole

**Contact Type**

P = Plug, S = Socket

**Cable Acceptance**

EXP-0 version:

Blank = 13-15mm Yellow cable gland (std)  
3 = 11-13mm Black cable gland  
2 = 9-11mm White cable gland  
1 = 7-9mm Dark Grey cable gland

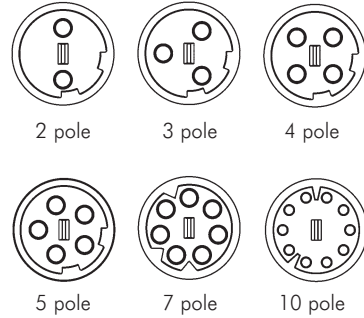
EXP-A version:

Blank = 20-22mm Yellow cable gland (std)  
9 = 18-20mm Black cable gland  
8 = 16-18mm White cable gland  
7 = 14-16mm Dark Grey cable gland

**Example:**

EXP-0911/07/P/3 = Flex cable connector with standard cable accommodation body, seven pin contacts, with gland to suit 11-13mm cable.

CONTACT LAYOUT



DIMENSIONS

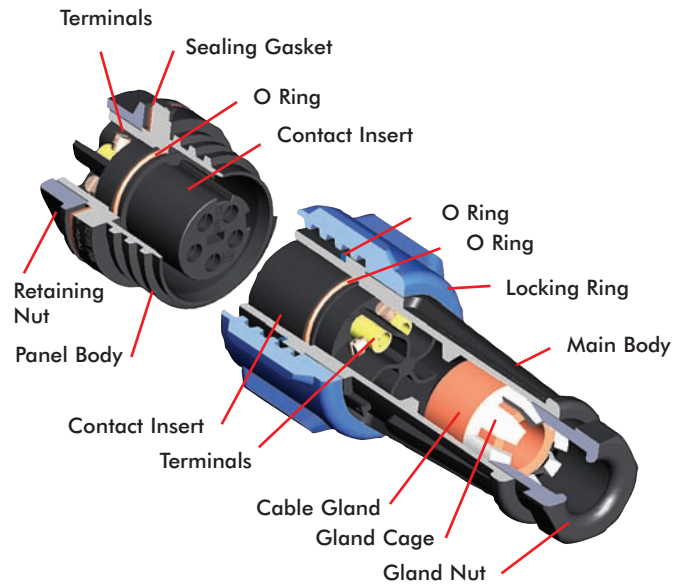
Overall dimensions of connectors when mated together:

EXP-0911 + EXP-0921	230 mm max.
EXP-A911 + EXP-A921	270 mm max.
EXP-0911 + EXP-0931	135 mm max. (to panel)
EXP-A911 + EXP-A931	175 mm max. (to panel)
EXP-0911 + EXP-0941	145 mm max. (to panel, mid point on flange)
EXP-A911 + EXP-A941	174 mm max. (to panel, mid point on flange)



## 900 Series Buccaneer®

IP68



- IP68 rating tested at 1.054kg/sq cm (15lb/sq in) 10m depth for 2 weeks
- 32A, 600V ac/dc rating
- 2, 3, 4, 5, 7 and 10 pole
- Plug or socket connection in each body style
- Water and dustproof to IP68 when mated
- 'Scoop proof' contacts
- Field termination - screw terminations
- Positive locating keyways - cannot be mis-connected
- Sealing caps available to maintain IP68 rating of unmated connectors
- Leading earth contact for 3, 4, 5 and 7 pole versions
- Trailing Neutral on 5 pole
- Compact design
- Easy assembly - no special tools required
- Single or 3 phase applications
- Bulkhead moulding available for use with flange mounting body for 45° or 90° mounting (order each separately)
- Cost effective solution
- Cable accommodation 7-22mm O/D
- Two cable connector versions for 15mm and 22mm (maximum) cable diameters
- Separate strain relief on large cable version
- UL, CSA and VDE approvals

**900 Series Buccaneer®**

**FLEX CABLE CONNECTOR**

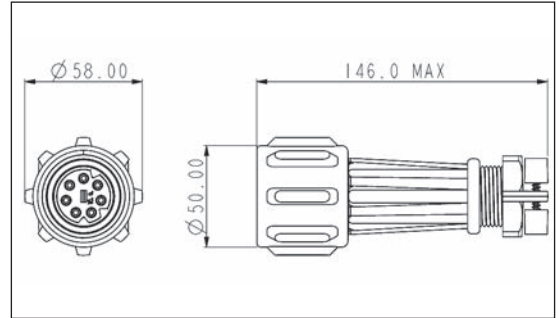
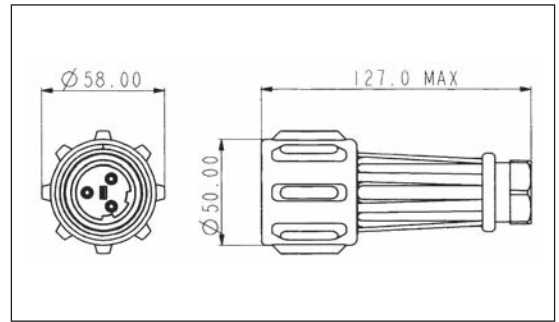


**PX0911**



**PXA911**

- Mates with in-line flex or panel mounting versions
- Positive, fast acting locking ring - can be turned with a gloved hand
- Plug or socket versions
- PX0 Series 13-15mm cable dia. as standard, 7-13mm with additional gland pack
- PXA Series 20-22mm cable dia. as standard, 14-20mm with additional gland pack
- Strain Relief Clamp (PXA Series only)



BUCCANEER POWER

Standard Cable	Large Cable	Description	Standard Cable	Large Cable	Description
PX0911/02/P	PXA911/02/P	2 pole Plug	PX0911/02/S	PXA911/02/S	2 pole Socket
PX0911/03/P	PXA911/03/P	3 pole Plug	PX0911/03/S	PXA911/03/S	3 pole Socket
PX0911/04/P	PXA911/04/P	4 pole Plug	PX0911/04/S	PXA911/04/S	4 pole Socket
PX0911/05/P	PXA911/05/P	5 pole Plug	PX0911/05/S	PXA911/05/S	5 pole Socket
PX0911/07/P	PXA911/07/P	7 pole Plug	PX0911/07/S	PXA911/07/S	7 pole Socket
PX0911/10/P	PXA911/10/P	10 pole Plug	PX0911/10/S	PXA911/10/S	10 pole Socket

**IN-LINE FLEX CABLE CONNECTOR**

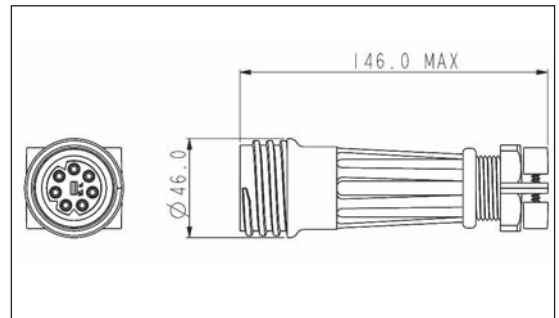
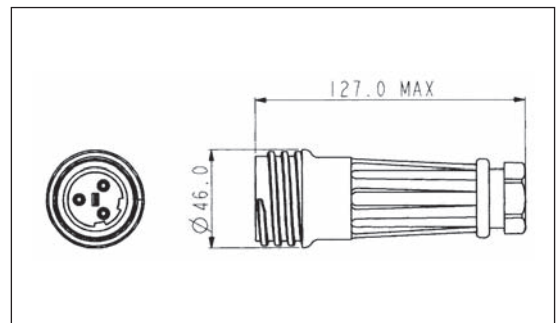


**PX0921**



**PXA921**

- Mates with either PX0911 or PXA911 connectors
- Plug or socket versions
- PX0 Series 13-15mm cable dia. as standard, 7-13mm with additional gland pack
- PXA Series 20-22mm cable dia. as standard, 14-20mm with additional gland pack
- Strain Relief Clamp (PXA Series only)



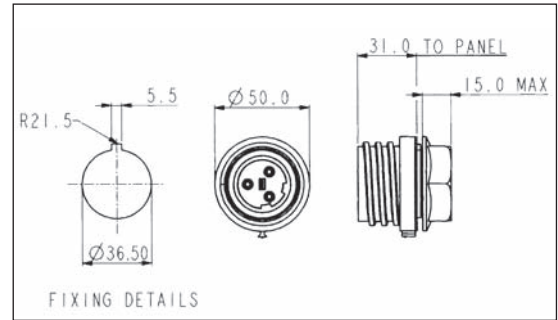
Standard Cable	Large Cable	Description	Standard Cable	Large Cable	Description
PX0921/02/P	PXA921/02/P	2 pole Plug	PX0921/02/S	PXA921/02/S	2 pole Socket
PX0921/03/P	PXA921/03/P	3 pole Plug	PX0921/03/S	PXA921/03/S	3 pole Socket
PX0921/04/P	PXA921/04/P	4 pole Plug	PX0921/04/S	PXA921/04/S	4 pole Socket
PX0921/05/P	PXA921/05/P	5 pole Plug	PX0921/05/S	PXA921/05/S	5 pole Socket
PX0921/07/P	PXA921/07/P	7 pole Plug	PX0921/07/S	PXA921/07/S	7 pole Socket
PX0921/10/P	PXA921/10/P	10 pole Plug	PX0921/10/S	PXA921/10/S	10 pole Socket

## 900 Series Buccaneer®

### PANEL MOUNTING CONNECTOR



- Mates with PX0911 and PXA911 connectors
- Single hole fixing
- Anti-rotation key
- High grade sealing gasket
- 3-7mm panel thickness



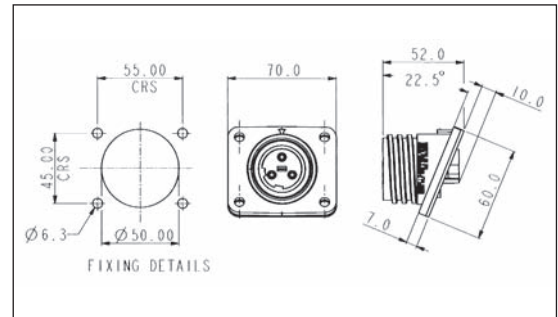
#### Panel Mounting

PX0931/02/P	2 pole Plug	PX0931/02/S	2 pole Socket
PX0931/03/P	3 pole Plug	PX0931/03/S	3 pole Socket
PX0931/04/P	4 pole Plug	PX0931/04/S	4 pole Socket
PX0931/05/P	5 pole Plug	PX0931/05/S	5 pole Socket
PX0931/07/P	7 pole Plug	PX0931/07/S	7 pole Socket
PX0931/10/P	10 pole Plug	PX0931/10/S	10 pole Socket

### FLANGE MOUNTING CONNECTOR



- Mates with PX0911 and PXA911 connectors
- Supplied with high grade sealing gasket
- Supplied with sealing grommets for panel fixing screws (M6 thread recommended)

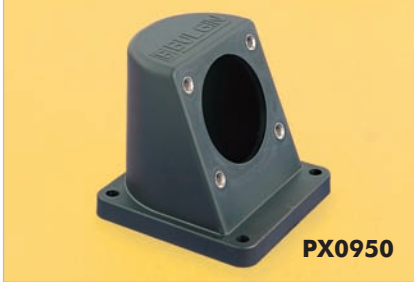


#### Flange Mounting

PX0941/02/P	2 pole Plug	PX0941/02/S	2 pole Socket
PX0941/03/P	3 pole Plug	PX0941/03/S	3 pole Socket
PX0941/04/P	4 pole Plug	PX0941/04/S	4 pole Socket
PX0941/05/P	5 pole Plug	PX0941/05/S	5 pole Socket
PX0941/07/P	7 pole Plug	PX0941/07/S	7 pole Socket
PX0941/10/P	10 pole Plug	PX0941/10/S	10 pole Socket

**900 Series Buccaneer®**

**ADDITIONAL BULKHEAD ADAPTOR MOULDING**

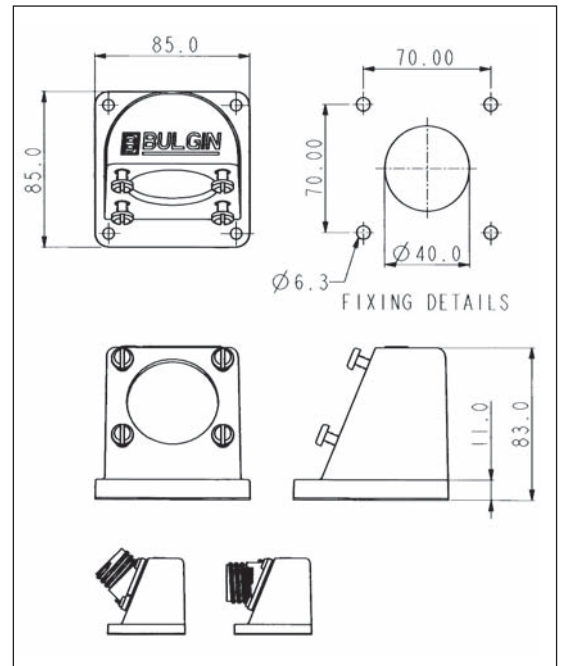


**PX0950**

- For use with flange mounting connector PX0941, to give 45° or 90° angle
- Supplied with high grade sealing gasket
- Supplied with sealing grommets for panel fixing screws (M6 thread recommended)



**PX0950 & PX0941**



BUCCANEER POWER

**ACCESSORIES**



**PX0960, PX0970**

- Sealing caps to maintain IP68 rating of unmated connectors, with plastic straps



**PX0990, PX0991, PX0992**

- Heavy duty sealing caps to maintain IP68 rating of unmated connectors, with stainless steel straps

**Sealing Caps**

PX0960	Sealing cap for use with PX0911/xx/x and PXA911/xx/x
PX0970	Sealing cap for use with all other styles
PX0990	Heavy duty sealing cap for use with PX0911/xx/x and PXA911/xx/x
PX0991	Heavy duty sealing cap for use with PX0921/xx/x and PXA921/xx/x
PX0992	Heavy duty sealing cap for use with PX0931 and PX0941

**Gland Packs**

PX0980	Pack of 3 additional cable glands for PX0911 and PX0921 to suit cable sizes; 11-13mm, 9-11 and 7-9mm dia.
PXA980	Pack of 3 additional cable glands for PXA911 and PXA921 to suit cable sizes; 18-20mm, 16-18 and 14-16mm dia.



## 900 Series Buccaneer®

### SPECIFICATION

#### Electrical:

No Poles:	2, 3	4, 5	7	10†
Current Rating:	32A 30A, CSA	32A 25A, CSA	32A 25A, CSA*	10A
Voltage Rating:	600V ac/dc	600V ac/dc	430V ac/dc	250V ac/dc
Contact Resistance:	<10mΩ (initial)			
Insulation Resistance:	>10 <sup>9</sup> MΩ (@ 500V dc)			
Dielectric strength:	2.2kV ac min			
AC Breakdown voltage:	6kV			
Operating Temperature Range:	-40°C to +85°C			
Approvals:	UL  E214972 CSA  1211899 VDE  40003148 CCC  Pending			

\*with 75°C min. rated cable  
†approvals pending for 10 Pole version

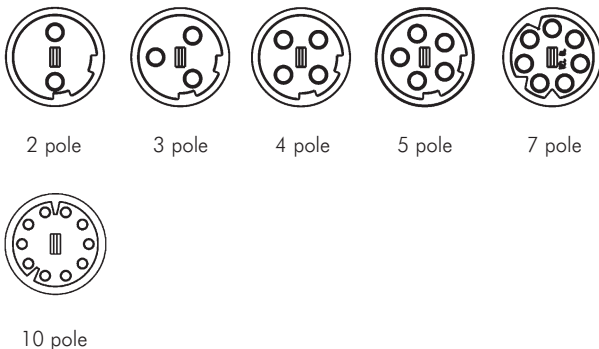
#### Material:

Body Mouldings:	Polyamide
Flammability Rating:	UL94V-0
UV Resistance:	To EN50021: 1999
Contacts:	Machined Solid Brass, Nickel plated
O Rings:	Nitrile
Panel Sealing Gasket:	Silicone Rubber
<b>RoHS</b>	Compliant

#### Mechanical:

Sealing:	IP68, EN60529 :1992 tested @ 1.054kg/sq.cm. (15lb/sq.in.) 10m depth for 2 weeks
Cable Acceptance:	PX0911-PX0921 13 - 15mm O/D standard, 7-13mm with gland pack PXA911-PXA921 20 - 22mm O/D standard, 14 - 20mm with gland pack
Contact Accommodation:	2-7 pole - 2.5 to 4mm <sup>2</sup> (13 to 10AWG) conductor, single or multi stranded 10 pole - 0.75 to 2mm <sup>2</sup> (14 to 18AWG) conductor, single or multi stranded
Termination:	Axial screw terminals
Cable Retention force:	22mm dia, 150N 15mm dia, 150N 7mm dia, 80N
Gland Nut Torques:	PX0 range 13-15mm (Yellow - std.) 3.16Nm (28 lbf.in.) 11-13mm (black) 3.16Nm (28 lbf.in.) 9-11mm (white) 3.16Nm (28 lbf.in.) 7-9mm (dark grey) 3.16Nm (28 lbf.in.) PXA range 20-22mm (Yellow - std.) 3.16Nm (28 lbf.in.) 18-20mm (black) 3.16Nm (28 lbf.in.) 16-18mm (white) 3.16Nm (28 lbf.in.) 14-16mm (dark grey) 3.16Nm (28 lbf.in.)
Tightening Torques:	Panel mount nut 2.25Nm (20 lbf.in.) Flange & Bulkhead fixing screws 0.9Nm (8 lbf.in.) Inserts into Bodies 1.13Nm (10 lbf.in.) to 1.36Nm (12 lbf.in.) Term screws - 2 to 5 poles 1.0Nm (9 lbf.in.) max Term screws - 7 pole 0.4Nm (3.5 lbf.in.) max Term screws - 10 pole 0.25Nm (2.2 lbf.in.) max
Rear thread PX0931 series	M36 x 2-6g

### CONTACT LAYOUT



#### Dimensions:

Overall dimensions of connectors when mated together

PX0911 + PX0921	230 mm max.
PXA911 + PXA921	270 mm max.
PX0911 + PX0931	135 mm max. (to panel)
PXA911 + PX0931	175 mm max. (to panel)
PX0911 + PX0941	145 mm max. (to panel, mid point on flange)
PXA911 + PX0941	174 mm max. (to panel, mid point on flange)



**PART NO SYSTEM**

**PXx9 x x / xx / x / xx**

**Series Designation**

09 = Standard Cable Accommodation (7-13mm)  
 A9 = Large Cable Accommodation (14-22mm)

**Body Styles**

1 = Flex, 2 = Flex In-line,  
 3 = Panel, 4 = Flange Panel

**Contact Termination**

1 = Screw Terminal

**Number Contacts**

02 = 2 pole, 03 = 3 pole, 04 = 4 pole,  
 05 = 5 pole, 07 = 7 pole, 10 = 10 pole

**Contact Type**

P = Plug, S = Socket

**Cable Acceptance**

PX0 version:

Blank = 13-15mm Yellow cable gland (standard)  
 03 = 11-13mm Black cable gland  
 02 = 9-11mm White cable gland  
 01 = 7-9mm Dark Grey cable gland

PXA version:

Blank = 20-22mm Yellow cable gland (standard)  
 09 = 18-20mm Black cable gland  
 08 = 16-18mm White cable gland  
 07 = 14-16mm Dark Grey cable gland

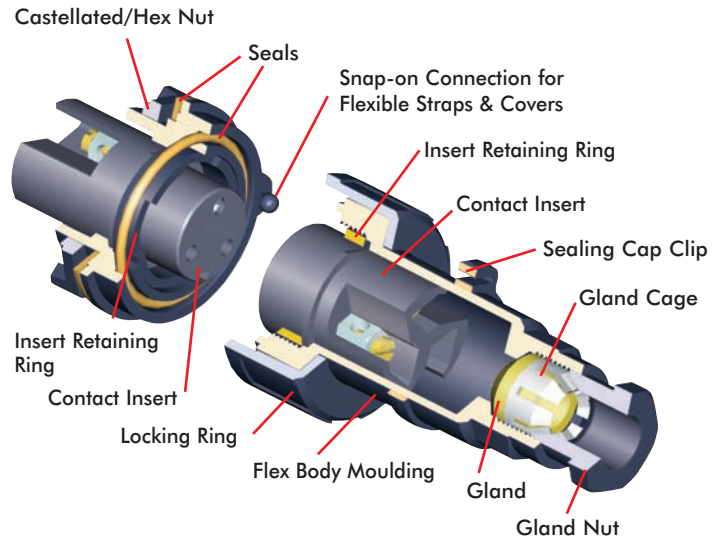
**Example:**

PX0911/07/P/03 = Flex cable connector with standard cable accommodation body, seven pin contacts, with gland to suit 11-13mm cable.

IP68

# Standard Buccaneer®

BUCCANEER POWER



- IP68 rating tested at 1.054kg/sq cm (15lb/sq in) 10m depth for 2 weeks and 9.84kg/sq cm (140lb/sq in) 100m depth for 12 hours
- Water and dustproof to IP68 when mated
- 2, 3, 4, 6, 7, 9, 12 and 25 pole
- 12A, 250V ac/dc 2 pole screw terminal, 3 pole screw terminal and crimp contacts
- 10A, 250V ac/dc 4 pole screw terminal
- 5A, 250V ac/dc 6 and 7 pole screw terminal
- 5A, 150V ac/dc 9 pole crimp contacts
- 5A, 50V ac/dc 12 pole crimp and solder contacts
- 1A, 50V ac/dc 25 pole crimp and solder contacts
- BNC versions 50Ω and 75Ω
- Plug or socket connection in each body style
- Compact design
- Diameter over coupling ring 38mm
- Sealing caps available to maintain IP68 rating of unmated connectors
- 7 body styles - flex cable, in-line flex cable, panel mount (front), panel mount (rear), PCB mount, bulkhead and flange mount
- Leading earth contact for 3 pole socket version
- Positive locating keyways - cannot be mis-connected
- Easy assembly - no special tools required on screw terminal versions
- Cable range from 3.5mm - 9mm
- Colour coded identification variants
- Pre-wired, overmoulded cable assemblies
- UL, CSA and VDE approvals

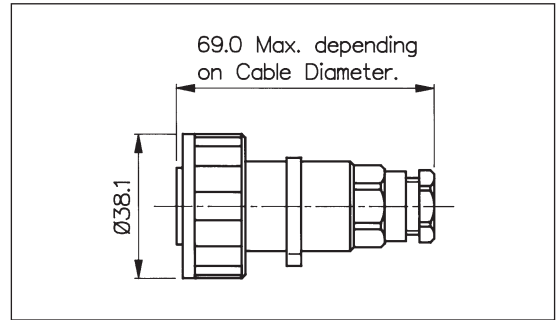
Standard Buccaneer®

FLEX CABLE CONNECTOR



PX0731/P

- Mates with In-Line Flex or Panel Mounting Versions
- Screw Locking Ring
- Pin or Socket Versions
- Leading Earth on 3 pole connectors
- Poles 2, 3, 4, 6, 7, 9, 12, 25 or BNC
- Standard Cable Acceptance (2 to 9 pole) 6-8mm, 3.5-9mm with alternative glands



Poles	Termination	Pin Contacts	Socket Contacts	Contacts
2	Screw	PX0736/P	PX0736/S	Supplied Fitted
3	Screw	PX0731/P	PX0731/S	Supplied Fitted
3	Crimp	PX0776/P	PX0776/S	Supplied Loose
4	Screw	PX0748/P	PX0748/S	Supplied Fitted
6	Screw	PX0739/P	PX0739/S	Supplied Fitted
7	Screw	PX0745/P	PX0745/S	Supplied Fitted
9	Crimp	PX0728/P	PX0728/S	Supplied Loose
12	Crimp/Solder	PX0794/P	PX0794/S	Order Separately
25	Crimp/Solder	PX0820/P	PX0820/S	Order Separately
50ΩBNC	Crimp	PX0742/P/50OHM		Supplied Loose
75ΩBNC	Crimp	PX0742/P/75OHM		Supplied Loose

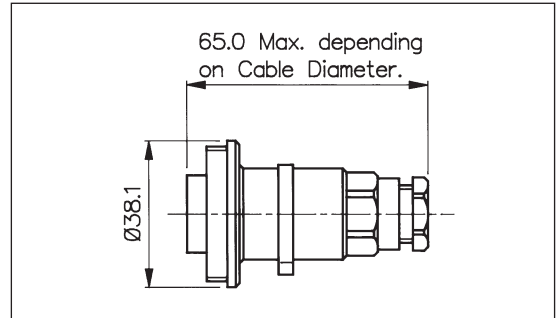
BUCCANEER POWER

IN-LINE FLEX CABLE CONNECTOR



PX0732/S

- Mates with Flex Cable Connector
- Pin or Socket Versions
- Leading Earth on 3 pole connectors
- Poles 2, 3, 4, 6, 7, 9, 12, 25 or BNC
- Standard Cable Acceptance (2 to 9 pole) 6-8mm, 3.5-9mm with alternative glands



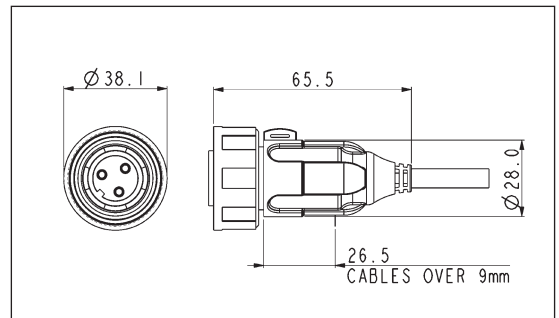
Poles	Termination	Pin Contacts	Socket Contacts	Contacts
2	Screw	PX0737/P	PX0737/S	Supplied Fitted
3	Screw	PX0732/P	PX0732/S	Supplied Fitted
3	Crimp	PX0778/P	PX0778/S	Supplied Loose
4	Screw	PX0749/P	PX0749/S	Supplied Fitted
6	Screw	PX0740/P	PX0740/S	Supplied Fitted
7	Screw	PX0746/P	PX0746/S	Supplied Fitted
9	Crimp	PX0729/P	PX0729/S	Supplied Loose
12	Crimp/Solder	PX0795/P	PX0795/S	Order Separately
25	Crimp/Solder	PX0821/P	PX0821/S	Order Separately
50ΩBNC	Crimp		PX0743/S/50OHM	Supplied Loose
75ΩBNC	Crimp		PX0743/S/75OHM	Supplied Loose

PRE-WIRED FLEX CABLE CONNECTOR



PX0700

- Overmoulded cable assemblies
- Up to 14mm dia cable with PVC or PU jackets
- PX0700 flex cable connector
- Mates with in-line flex connector and all panel connectors

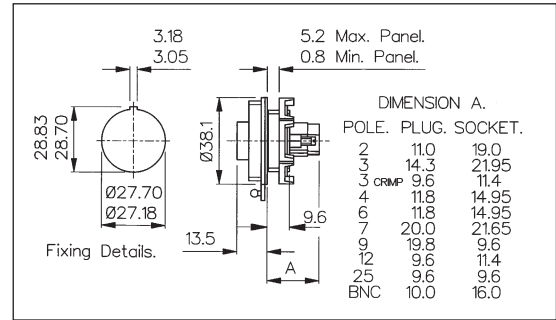


## Standard Buccaneer®

### FRONT PANEL MOUNTING CONNECTOR



- Mates with Flex Cable Connector
- Front panel mounting
- Single Hole Fixing
- Pin or Socket Versions
- Poles 2, 3, 4, 6, 7, 9, 12, 25 or BNC



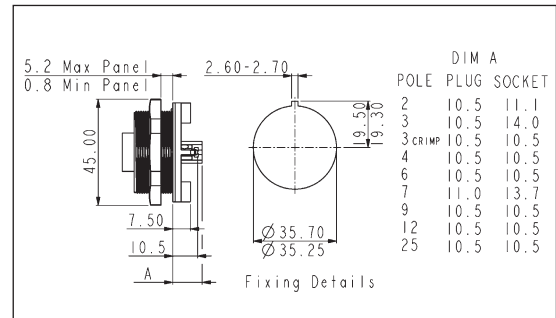
BUCCANEER POWER

Poles	Termination	Pin Contacts	Socket Contacts	Contacts
2	Screw	PX0735/P	PX0735/S	Supplied Fitted
3	Screw	PX0730/P	PX0730/S	Supplied Fitted
3	Crimp	PX0779/P	PX0779/S	Supplied Loose
4	Screw	PX0747/P	PX0747/S	Supplied Fitted
6	Screw	PX0738/P	PX0738/S	Supplied Fitted
7	Screw	PX0744/P	PX0744/S	Supplied Fitted
9	Crimp	PX0727/P	PX0727/S	Supplied Loose
12	Crimp/Solder	PX0796/P	PX0796/S	Order Separately
25	Crimp/Solder	PX0822/P	PX0822/S	Order Separately
50ΩBNC	Crimp		PX0741/S/50OHM	Supplied Loose
75ΩBNC	Crimp		PX0741/S/75OHM	Supplied Loose

### REAR PANEL MOUNTING CONNECTOR



- Mates with Flex Cable Connector
- Rear panel mounting
- Single Hole Fixing
- Pin or Socket Versions
- Poles 2, 3, 4, 6, 7, 9, 12 or 25



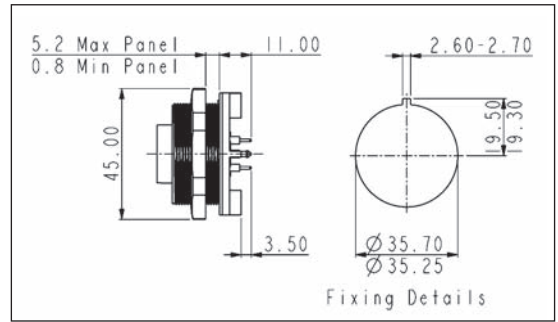
Poles	Termination	Pin Contacts	Socket Contacts	Contacts
2	Screw	PX0709/P/02	PX0709/S/02	Supplied Fitted
3	Screw	PX0709/P/03	PX0709/S/03	Supplied Fitted
3	Crimp	PX0708/P/03	PX0708/S/03	Supplied Loose
4	Screw	PX0709/P/04	PX0709/S/04	Supplied Fitted
6	Screw	PX0709/P/06	PX0709/S/06	Supplied Fitted
7	Screw	PX0709/P/07	PX0709/S/07	Supplied Fitted
9	Crimp	PX0708/P/09	PX0708/S/09	Supplied Loose
12	Crimp/Solder	PX0708/P/12	PX0708/S/12	Order Separately
25	Crimp/Solder	PX0708/P/25	PX0708/S/25	Order Separately

**Standard Buccaneer®**

**PCB MOUNTING CONNECTOR**



- Mates with Flex Cable connector
- Rear panel mounting
- No. poles: 3, 4, 6, 9, 12 or 25
- Pin or socket versions
- Pre-loaded Gold Plated contacts

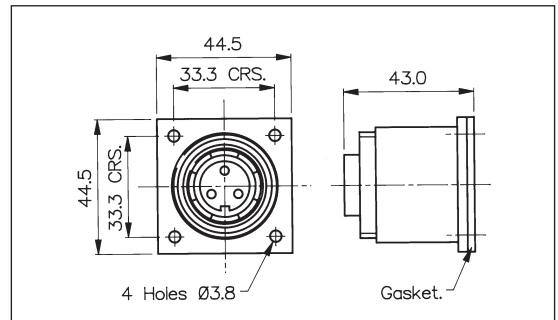


Poles	Termination	Pin Contacts	Socket Contacts	Contacts
3	PCB	PX0707/P/03	PX0707/S/03	Supplied Fitted
4	PCB	PX0707/P/04	PX0707/S/04	Supplied Fitted
6	PCB	PX0707/P/06	PX0707/S/06	Supplied Fitted
9	PCB	PX0707/P/09	PX0707/S/09	Supplied Fitted
12	PCB	PX0707/P/12	PX0707/S/12	Supplied Fitted
25	PCB	PX0707/P/25	PX0707/S/25	Supplied Fitted

**BULKHEAD FLANGE MOUNTING CONNECTOR**

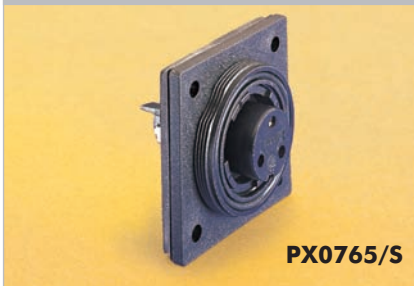


- Mates with Flex Cable Connector
- Screw Fixing Flange
- Pin or Socket Versions
- Poles 2, 3, 4, 6, 7, 9, 12, 25 or BNC
- Supplied with sealing gasket and screw sealing grommets

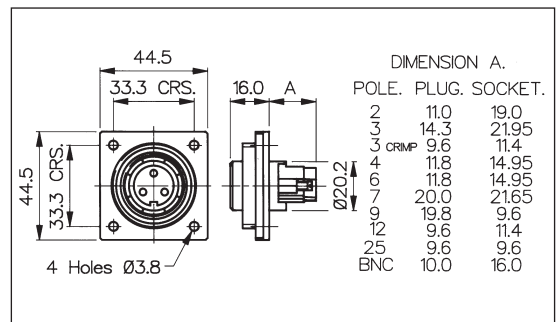


Poles	Termination	Pin Contacts	Socket Contacts	Contacts
2	Screw	PX0757/P	PX0757/S	Supplied Fitted
3	Screw	PX0756/P	PX0756/S	Supplied Fitted
3	Crimp	PX0787/P	PX0787/S	Supplied Loose
4	Screw	PX0761/P	PX0761/S	Supplied Fitted
6	Screw	PX0758/P	PX0758/S	Supplied Fitted
7	Screw	PX0760/P	PX0760/S	Supplied Fitted
9	Crimp	PX0762/P	PX0762/S	Supplied Loose
12	Crimp/Solder	PX0798/P	PX0798/S	Order Separately
25	Crimp/Solder	PX0823/P	PX0823/S	Order Separately
50ΩBNC	Crimp		PX0759/S/50OHM	Supplied Loose
75ΩBNC	Crimp		PX0759/S/75OHM	Supplied Loose

**LOW PROFILE FLANGE MOUNTING CONNECTOR**



- Screw Flange Fixing
- Pin or Socket Versions
- Poles 2, 3, 4, 6, 7, 9, 12, 25 or BNC
- Mates with Flex Cable Connector
- Supplied with sealing gasket and screw sealing grommets



Poles	Termination	Pin Contacts	Socket Contacts	Contacts
2	Screw	PX0764/P	PX0764/S	Supplied Fitted
3	Screw	PX0765/P	PX0765/S	Supplied Fitted
3	Crimp	PX0781/P	PX0781/S	Supplied Loose
4	Screw	PX0766/P	PX0766/S	Supplied Fitted
6	Screw	PX0767/P	PX0767/S	Supplied Fitted
7	Screw	PX0768/P	PX0768/S	Supplied Fitted
9	Crimp	PX0769/P	PX0769/S	Supplied Loose
12	Crimp/Solder	PX0797/P	PX0797/S	Order Separately
25	Crimp/Solder	PX0824/P	PX0824/S	Order Separately
50ΩBNC	Crimp		PX0763/S/50OHM	Supplied Loose
75ΩBNC	Crimp		PX0763/S/75OHM	Supplied Loose

BUCCANEER POWER



## Standard Buccaneer®

### COLOURED CONTACT INSERTS



Coloured Inserts

- With or without matching gland nut
- Positive visual identification
- Available in; Black, Blue, Green, Grey, Light Grey, Red, White and Yellow

### Contact Inserts Colour Options

Part No Suffix	Colour
Blank	Black
BL	Blue
GN	Green
GY	Grey
LG	Light Grey
RD	Red
WH	White
YL	Yellow

#### Insert/Gland Nut Combinations

1	Insert and Gland Nut Coloured
2	Insert Only Coloured

e. g. PX0731/P/YL1 = Yellow insert and gland nut

### CONTACTS FOR 12 AND 25 POLE INSERTS



12 & 25 way contacts

- Crimp or Solder Pins and Sockets
- Gold Plated
- Current ratings:  
12 way: 5A, 50V  
25 way: 1A, 50V

### Contacts - Solder & Crimp for 12 and 25 pole

Contacts (for 25 pole) (Supplied in packs of 10)	Solder	Crimp
Pins	SA3180/1	SA3180
Sockets	SA3179/1	SA3179

Contacts (for 12 pole) (Supplied in packs of 10)	Solder	Crimp
Pins	SA3348/1	SA3348
Sockets	SA3347/1	SA3347

### ASSEMBLY TOOLS



PNo 13027 and 13170

- Crimp Tools for 3, 9, 12 and 25 pole crimp contacts
- Insertion/Extraction Tool for 25 pole contacts

### Tools

Crimp Tool (25 pole)	PNo. 13170
Crimp Tool (12 pole)	PNo. 14025
Positioner (12 pole)	PNo. 14025/5AMP
Crimp Tool (9 pole)	PNo. 13826
Crimp Tool (3 pole)	PNo. 14232
3 pole positioner	PNo. 14232/1
Insertion/Extraction Tool (25 pole)	PNo. 13027
Insertion/Extraction Tool (12 pole)	PNo. 13027/1
Insertion/Extraction Tool (3 pole)	PNo. 13027/3

#### Hex Cavities for BNC Inserts

Centre Contact:	1.69 A/F (B.S. 'W'/ERMA XA)
Braid:	6.48 A/F (B.S. 'E'/ERMA XH)

### CABLE GLANDS



SA3253

- Pack of alternative cable glands to suit cables from 3.5 to 9mm dia.

### Cable Acceptance - Alternatives

Cable Diameter	Gland Part No.	Gland Colour	Additional Suffix
6-8mm	12023	Black	Standard for 2-12 pole
3.5-5mm	SA3426	Grey	Suffix /04†
5-7mm	12023/1	White	Suffix /05
7-9mm	12023/2	Yellow	Suffix /07*
Gland Pack	SA3253		Pack of 3 glands to suit cables 3.5-5mm, 5-7mm & 7-9mm dia†

\*Note: 7-9mm gland standard for 25 way, no suffix required.

†Includes additional black gland cage for 3.5-5mm dia. cable range.

To order connector with alternative cable gland add suffix to part no. e.g. PX0731/P/07 = PX0731 3 pin connector with cable gland to suit 7-9mm dia. cable.

### Cable Acceptance - Standard as supplied

No. Contacts	Cable Diameter or Type
2-12 Pole	6-8mm
25 Pole	7-9mm
BNC 50Ω	RG 58/CU, URM43, URM76
BNC 75Ω	URM70

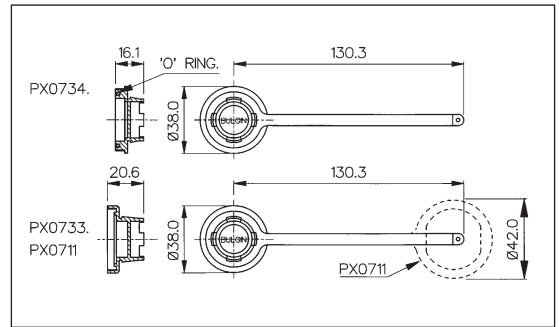
Standard Buccaneer®

SEALING CAP/ASSEMBLY TOOL



PX0734 PX0733

- Maintains IP68 Rating of Unmated Connectors
- Can be used to remove Inserts
- PX0734 for Flex Cable Connector
- PX0733 for In-line Flex, Front Panel, Bulkhead and Flange mount connectors
- PX0711 for PCB and Rear Panel Mount connectors

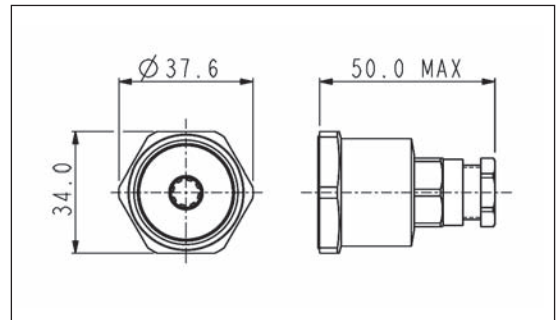


REAR OF PANEL BACKSHELL



PX0799

- Provides environmental seal to rear of panel
- Standard cable acceptance 6-8mm, 3.5 to 9mm with alternative glands
- For use on front panel mounting connectors
- Replaces mounting nut in panel connector

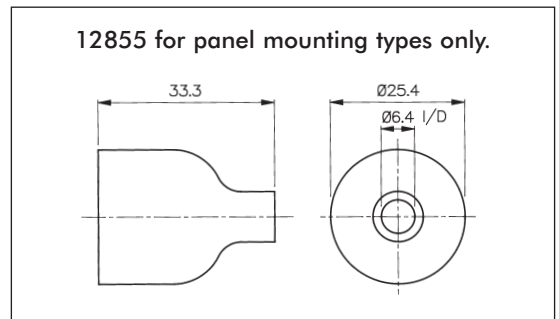


PVC INSULATION BOOT



PNo. 12855

- Shock protection for rear of connector
- Flammability Rating UL94V-0
- Fits Front Panel Mount Versions only



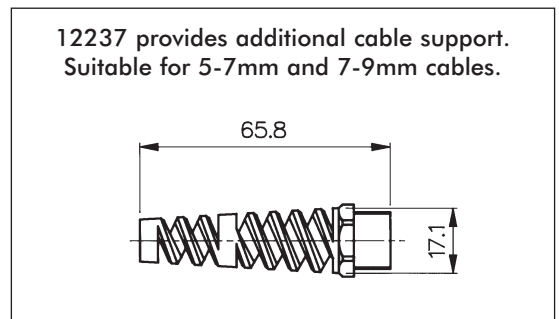
12855 for panel mounting types only.

CABLE SUPPORT ACCESSORY



PNo. 12237

- Gives Extra Support to the Cable
- Suitable for 5-7mm and 7-9mm Cable Diameters



12237 provides additional cable support. Suitable for 5-7mm and 7-9mm cables.

## Standard Buccaneer®

### PART NO SYSTEM

PX0xxx / x / xx / xx x

Body Styles

Contacts Type

**P** = Pin

**S** = Socket

Cable Acceptance or PCB/Rear Panel Mounting

Flex Cable and In-line Flex Connectors cable acceptance use:

**Blank** = 6-8mm (Black) standard for 2-12 pole

**04** = 3.5-5mm (Grey)

**05** = 5-7mm (White)

**07** = 7-9mm (Yellow) (standard for 25 way, no suffix required)

PCB (PX0707) and Rear Panel Mount connectors (PX0708 and PX0709) use:

**02** = 2 pole                      **03** = 3 pole

**04** = 4 pole                      **06** = 6 pole

**07** = 7 pole                      **09** = 9 pole

**12** = 12 pole                    **25** = 25 pole

Front Panel, Bulkhead and Flange Mount - not required:

Insert/Gland Nut Colour

**Blank** = Black

**LG** = Light Grey

**BL** = Blue

**RD** = Red

**GN** = Green

**WH** = White

**GY** = Grey

**YL** = Yellow

Insert/Gland Nut Colour Combination

**1** = Insert and Gland Nut Coloured

**2** = Insert only Coloured

Examples:

PX0707/P/06 = PCB Panel connector, pin contacts, 6 pole

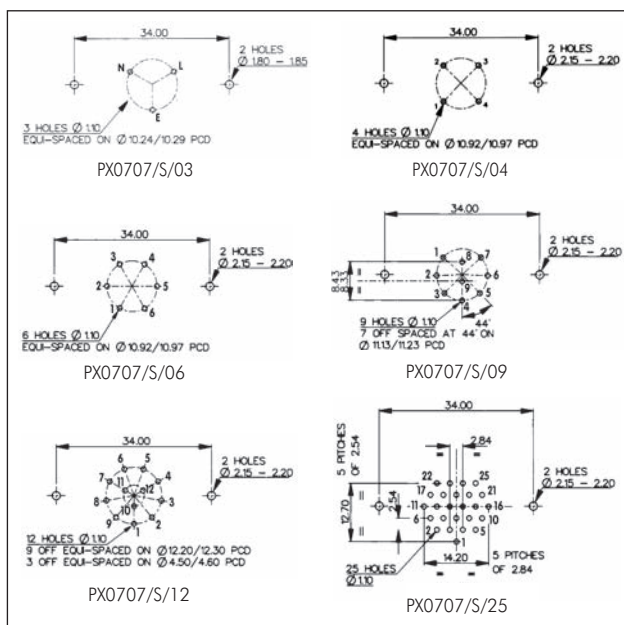
PX0731/S = Flex Cable connector, socket contacts, 3 pole

PX0732/P/07/BL2 = In-Line Flex Cable connector, pin contacts, 3 pole, 7-9mm cable acceptance, blue insert

### PCB LAYOUTS

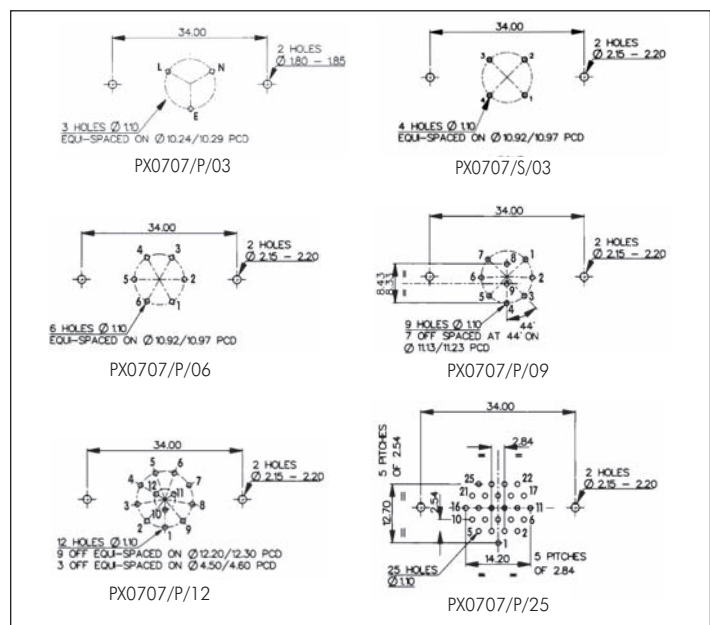
#### Sockets

Contact Nos viewed from rear of panel







#### Pins

Contact Nos viewed from rear of panel



**SPECIFICATION**

**Electrical:**

No. Poles:	2, 3 4 6, 7 9 12 25
Current Rating:	
VDE	12A 10A 5A 5A 5A 1A
UL, CSA	10A 6A 3A 5A 5A 1A
Voltage Rating (ac/dc):	250V 250V 250V 150V 50V 50V
Contact Resistance:	<10mΩ (2-9 Pole) <5mΩ (12 Pole) <5mΩ (25 Pole)
Insulation Resistance:	>10 <sup>4</sup> MΩ @ 500V d.c. (2-9 Pole)
AC Breakdown voltage:	4kV Pole - Pole (2-9 Pole) 6kV Poles - Panel (Low Profile Flange and Panel Types – 2-9 Pole) 7.5kV Poles - Panel (Other Types – 2-9 Pole)
Operating Temp. Range:	-20°C to +70°C
Approvals:	
UL 	E93288
CSA 	LR80968-30
VDE 	40023148
CCC 	Pending
	<i>Approvals pending for: all 3 way crimp versions, all 12 way versions, PX0707/x/xx, PX0708/x/xx, &amp; PX0709/x/xx.</i>
	<i>Overmoulded cable assemblies approvals to customer requirements.</i>

**Material:**

Body Mouldings:	Glass Filled Polyamide UL94HB
Inserts (2-25 pole):	
PX0707	Polyamide UL94V-0
PX0708	Polyamide UL94V-0
PX0709	Polyamide UL94V-0
Overmoulded types:	
Body Mouldings:	Polyurethane
Flammability Rating:	UL94V-HB
Contacts:	
Screw Terminal:	Brass, Nickel Plated
Crimp (9 pole):	Copper Alloy, Tin Plated
Crimp/Solder (12 + 25 Pole):	Copper Alloy, Gold Plated (0.1µm on Nickel)
BNC inserts:	Brass, Nickel Plated
BNC contacts:	Brass, Silver Plated
	Compliant



**Mechanical:**

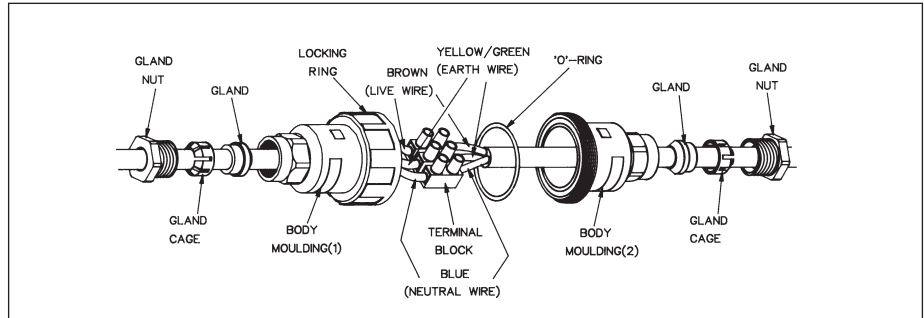
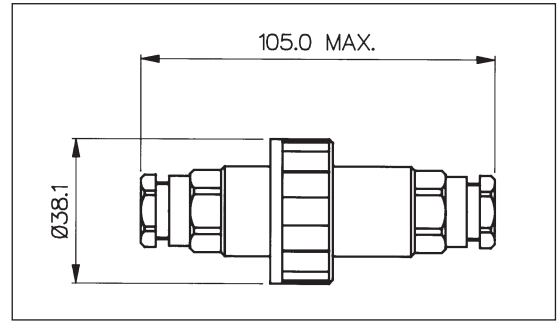
Sealing:	IP68, BS 5490 : 1977 Tested @ 1.054kg/sq.cm. (15lb/sq.in.) 10m depth for 2 weeks. BSEN 60529 : 1992 Tested @ 9.84kg/sq.cm. (140lb/sq.in.) 100m depth for 12 hours.
Cable Acceptance:	
2-12 Pole - standard gland:	6-8mm dia
2-12 Pole - alternative glands:	3.5-9mm dia
25 Pole - standard gland:	7-9mm dim
25 Pole - alternative glands:	3.5-7mm dim
BNC 50Ω:	RG 58/CU, URM43 & URM76
BNC 75Ω:	URM70
Contact Accommodation:	
2 and 3 pole screw terminals:	4mm <sup>2</sup> (12AWG) max
3 pole crimp:	1.0-1.5mm <sup>2</sup> (14-18AWG) max
4, 6 and 7 pole:	1.5mm <sup>2</sup> (16AWG) max
9 pole:	0.12-0.21mm <sup>2</sup> (24-26AWG)
12 pole:	0.32mm <sup>2</sup> (22-26AWG) max
25 pole:	0.12-0.21mm <sup>2</sup> (24-26AWG)
Terminations:	
2-7 Pole:	Screw Terminals
3 Pole:	Screw Terminals & Crimp
9 Pole:	Crimp Contacts
12 Pole:	Crimp & Solder Contacts
25 Pole:	Crimp & Solder Contacts
Tightening Torques:	
Flex Mounting/In-Line:	Gland Nut: 1.13Nm (10lbf.in.)
Panel Mounting:	Rear Fixing Nut: 1.7Nm (15lbf.in.) Front Fixing Nut: 1.7Nm (15lbf.in.)
Surface/Bulkhead and Low Profile Flange Mounting:	4 Fixing Screws (using washers supplied) 0.34Nm (3lbf.in.)
Sealings Caps/Locking Ring:	1.13Nm (10lbf.in.)
Rear thread, Front Panel Connector:	M27 x 1.0-6H
Thread, Front Panel Connector:	M35 x 1.0-6H

Sealed In-Line Cable Joiner

CABLE JOINER



- IP68 Rating
- For Sealed In-Line Connections
- Standard Cable Acceptance 6-8mm
- Cable Range 3.5-9mm (using alternative glands)
- Supplied with 3 way Terminal Block
- Available Moulded in Black or Orange



Specification

PX0777

Rating:	16A, 250V a.c.
Wire Termination:	3 way Terminal Block (2.5mm <sup>2</sup> -14 AWG max)
Cable Acceptance:	6-8mm dia alternative glands available on request
Material:	Glass Filled Polyamide UL94HB
Sealing:	IP68 to BSEN 60529 : 1992 1.054kg/sq.cm. (15lbs/sq.in.) 10m depth for 2 weeks
Operating Temp. Range:	-20°C to +70°C
Colour:	Black Orange (Add /OR to PNo.)
BNC Cable Types:	50 ohm – RG58/CU, URM43 & URM76 For BNC version of PX0777 add /50OHM to PNo.
Approvals:	Ⓢ (Standard part no. only)
<b>RoHS</b>	Compliant



**IP68**

# Mini Buccaneer®



BUCCANEER POWER

- Water and dustproof to IP68 when mated
- IP68 rating tested at 1.054kg/sq cm (15lb/sq in) 10m depth for 2 weeks
- 2, 3, 4 or 6 pole screw terminal inserts
- 3 or 8 pole solder or crimp inserts
- 5 body styles, Flex, Flex In-Line, Panel (2 styles), Panel Side Entry
- 50Ω or 75Ω BNC inserts
- 5A, 380V a.c. 3 & 8 way solder/crimp terminals
- 10A, 250V a.c. 2 & 3 way screw terminals
- 6A, 250V a.c. 4 way screw terminal
- 3A, 250V a.c. 6 way screw terminal
- Plug or socket connection in each body style
- Cable range from 3.5mm - 9mm
- Diameter over coupling ring 26mm
- Positive locating keyways - cannot be mis-mated
- Sealing caps available to maintain IP68 rating of unmated connectors
- Flammability rating UL94V-0 material
- Leading earth contact on all types (except 2 pole)
- Compact design
- Easy assembly - no special tools required on screw terminal versions
- UL approval

## Mini Buccaneer®

### FLEX CABLE CONNECTOR



**PX0800 - shown with insert**

- PX0800 Connector body
- Mates with Flex In-line or Panel Mounting versions
- Screw locking ring
- Suitable for Pin or Socket inserts
- Cable Acceptance 3.5-9mm (Standard 5-7mm)
- Contact inserts supplied separately

61.5 Max. Depending on Cable Dia. / Pin or Socket Carrier.



### IN-LINE FLEX CABLE CONNECTOR



**PX0801 - shown with insert**

- PX0801 Connector body
- Mates with PX0800 - Flex Cable connector
- Suitable for Pin or Socket inserts
- Cable Acceptance 3.5-9mm (Standard 5-7mm)
- Contact inserts supplied separately

61.5 Max. Depending on Cable Dia. / Pin or Socket Carrier.



### PANEL MOUNTING



**PX0802 - shown with insert**

- PX0802 Connector body
- Mates with PX0800 - Flex Cable connector
- Single hole fixing
- Suitable for Pin or Socket inserts
- Contact inserts supplied separately

37.0 Max. Depending on Pin or Socket Carrier.



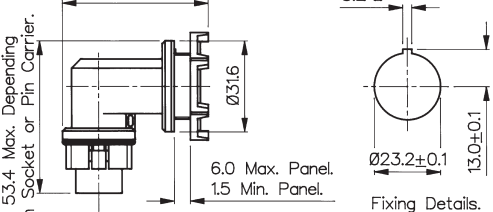
### PANEL MOUNTING



**PX0803 - shown with insert**

- PX0803 Connector body
- Mates with PX0800 - Flex Cable connector
- Right angle cable entry
- Single hole fixing
- Suitable for Pin or Socket inserts
- Contact inserts supplied separately

53.4 Max. Depending on Panel Thickness.



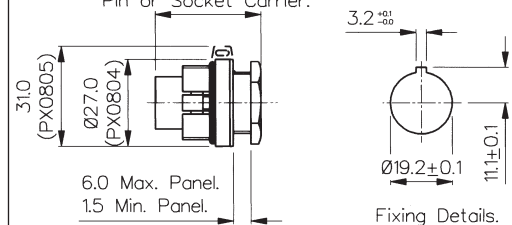
### PANEL MOUNTING



**PX0805 - shown with insert**

- PX0804 and PX0805 Connector bodies
- Mates with PX0800 - Flex Cable connector
- PX0804 without sealing cap retaining clip, PX0805 with sealing cap retaining clip
- Single hole fixing
- Suitable for Pin or Socket inserts
- Contact inserts supplied separately

33.6 Max. Depending on Pin or Socket Carrier.



**Mini Buccaneer®**

**SCREW TERMINAL INSERTS**



- 2, 3, 4 and 6 Poles
- Fits all Body Styles
- Leading Earth Pin on 3, 4 and 6 pole inserts
- Nickel Plated contacts

**Screw Terminal Inserts - fit all body styles**

No. Poles	Socket	Pin
2	SA3319	SA3320
3	SA3229	SA3230
4	SA3242	SA3241
6	SA3244	SA3243

**CONTACT CARRIER INSERTS**



**Inserts shown with contacts fitted**

- For Solder or Crimp Contacts
- 3 or 8 Pin
- Fits all Body Styles
- Contacts Supplied Separately

**Solder & Crimp Contact Carrier Inserts - fit all body styles.**

No. Poles	Solder	Colour	Crimp	Colour
8 pin	12734/1	Black	12734	Grey
8 socket	12735/1	Black	12735	Grey
3 pin	12734/3/1	Black	12734/3	Grey
3 socket	12735/3/1	Black	12735/3	Grey

BUCCANEER POWER

**CONTACTS, POLARISING/BLANKING PINS**



- Gold Plated contacts
- Solder or Crimp
- Polarising/Blanking pins

**Contacts - Solder & Crimp - for contact carrier inserts**

Contacts (Supplied in packs of 10)	Solder	Crimp
Pins	SA3148/1	SA3148
Sockets	SA3149/1	SA3149
Polarising/Blanking Pins	SA3147	
Contact Insertion Tool: Must be used to load contacts into inserts.	SA3150	
Crimping Tool	SA2800	

**BNC INSERT KIT**



**Inserts Shown assembled**

- BNC inserts for 50Ω and 75Ω co-ax cables
- Includes gland and washer to suit coax cable
- Fits all Body Styles (except PX0803)

**BNC Inserts - fit all body styles except PX0803**

Imp.	Cable Type	Contacts	Part No.
50Ω	RG58/CU, URM43, URM76	Plug	SA3159/1
50Ω	RG58/CU, URM43, URM76	Socket	SA3157/1
75Ω	URM70	Plug	SA3159
75Ω	URM70	Socket	SA3157

**SEALING CAPS**



**To maintain IP rating**



## Mini Buccaneer® Contact Inserts and Accessories

### SPECIFICATION

Electrical	Solder/Crimp Terminals	Screw Terminals	BNC
No Poles:	3, 8	2, 3      4      6	
Current Rating:	5A	10A      6A      3A	
Voltage Rating:	380V ac	250V ac    250V ac    250V ac	
Contact Resistance:	<5mΩ		
Insulation Resistance:	>10 <sup>6</sup> MΩ @ 500V d.c.		
Voltage Proof:	2kV @ 50Hz		
Operating Temp. Range:	-20°C to +70°C		
Approvals:	E214972		
Materials	Solder/Crimp Terminals	Screw Terminals	BNC
Body Mouldings:	Polyamide UL94V-0	Polyamide UL94V-0	
Inserts:	Polyamide UL94V-0	Polyamide UL94V-0	
Contacts:	Copper Alloy, Gold Plated (0.1µm) on Nickel	Brass, Nickel Plated	Brass, Silver Plated.
O Rings:	Nitrile		
	Compliant	Compliant	Compliant
Mechanical	Solder/Crimp Terminals	Screw Terminals	BNC
Sealing:	Protection Classification IP68, BS EN60529:1992. Tested @ 1.054kg/sq.cm. (15lb/sq.in.) 10m depth for 2 weeks.		
Cable Acceptance	5-7mm dia - standard gland 3.5-9mm dia - alternative glands		
Contact Accommodation:	0.2 - 0.5mm <sup>2</sup> (20 - 24 AWG)	1mm <sup>2</sup> max (18 AWG)	50Ω: RG58/CU, URM43, URM76 75Ω: URM70
Insertion Force (typical):	3 way: 5N (1.1lbf) 8 way: 14N (3.1lbf)	3 way: 45N (10lbf) 4 way: 50N (11lbf) 6 way: 140N (31lbf)	
Withdrawal Force (typical):	3 way: 3N (0.66lbf) 8 way: 12N (2.6lbf)	3 way: 32N (7lbf) 4 way: 40N (9lbf) 6 way: 150N (34lbf)	
Tightening Torques			
Gland Nut, PX0800, 801:	1.13Nm (10lbf in)		
Rear Nut, PX0802, 803, 804, 805:	0.7Nm min, 1.7Nm max (6.2lbf in min, 15lbf in max)		
Sealing Cap, PX0810, 811:	0.23Nm min, 1.13Nm max (2lbf in min, 10lbf in max)		

### HOW TO ORDER

- Choose body type, check cable diameter and sealing gland size.
- Determine contact carrier inserts. Choose number of poles, and type of contacts (solder, crimp, screw terminal or BNC).
- Choose pins or sockets. Solder and crimp contacts are supplied separately in packs of ten.
- Choose polarising/blanking pins. If required for solder/crimp contact inserts. Supplied in packs of ten.
- Is an insertion tool required (for solder or crimp contacts)?
- Is a crimp tool required?
- Is a sealing cap required?

### CABLE GLANDS

Cable gland for 5-7mm fitted as standard.  
BNC Insert Kit includes gland & washer to fit coax cable.

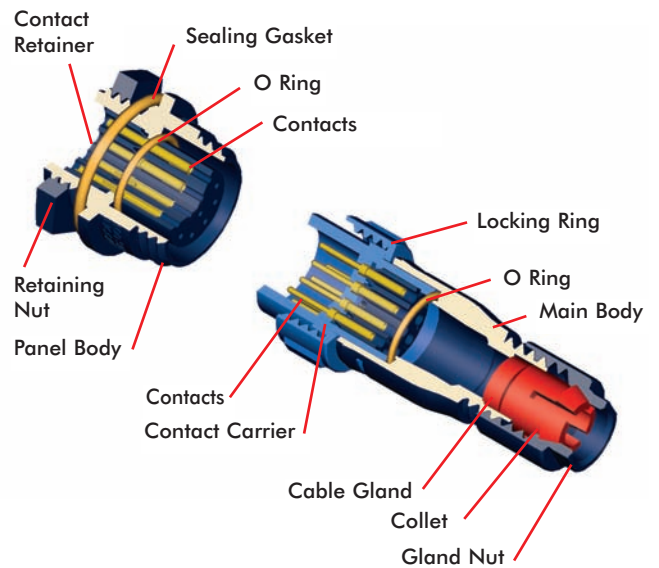
Cable Diameter	Gland Part No.	Gland Colour	Additional Suffix
5-7mm	12023/1	White	Fitted as standard
3.5-5mm	SA3426	Grey	Suffix /04†
6-8mm	12023	Black	Suffix /06
7-9mm	12023/2	Yellow	Suffix /07
Gland Pack	PX0812	Pack of 3 glands to suit cables 3.5-5mm, 6-8mm, 7-9mm dia†	

To order body with alternative cable gland add suffix to part no. e.g. PX0800/06 = PX0800 body with cable gland to suit 6-8mm dia. cable.

†Includes additional black gland cage for 3.5-5mm dia. cable range.



# 400 Series Buccaneer®

**IP68**

**BUCCANEER POWER**

- Sealed to IP68 when mated
- IP68 rating tested at 1.054kg/sq cm (15lb/sq in) 10m depth for 2 weeks
- 2 and 3 pole - 8A, 250V rating
- 4, 6 and 8 pole - 5A, 125V rating
- 10 and 12 pole - 1A, 50V rating
- 2.5mm contact engagement for electrical integrity
- 'Scoop proof' contacts
- Contact inserts are part of body moulding
- Cable range from 3 to 7mm
- Overall length (flex + flex in-line) 80mm
- Gold plated contacts
- Diameter over coupling ring 19.1mm
- Pre-wired, overmoulded cable assemblies
- Flex, Flex In-Line, Front Panel, Rear Panel and PCB mounting body styles
- Plug and Socket versions in all body styles
- Flame Retardant moulding material - Polyamide UL94-V0
- Contacts supplied separately (except PCB versions)
- Sealing caps available to maintain IP68 rating
- Secure sealing system
- Crimp and solder contacts
- PCB mounting connector supplied with contacts pre-loaded
- Front and rear panel mounting panel connectors
- UL, CSA and VDE approvals

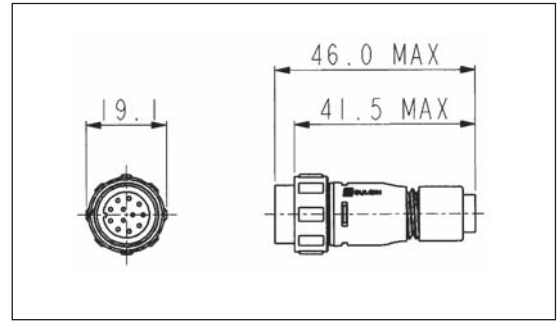


## 400 Series Buccaneer

### FLEX CABLE CONNECTOR



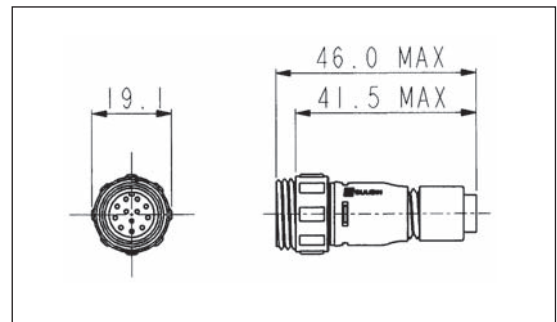
- Mates with Flex In-line or Panel mounting versions PX0401, PX0411, PX0412 & PX0413
- Pin or socket
- 2, 3, 4, 6, 8, 10 or 12 pole
- Screw locking ring
- Contacts supplied separately



### IN-LINE FLEX CABLE CONNECTOR



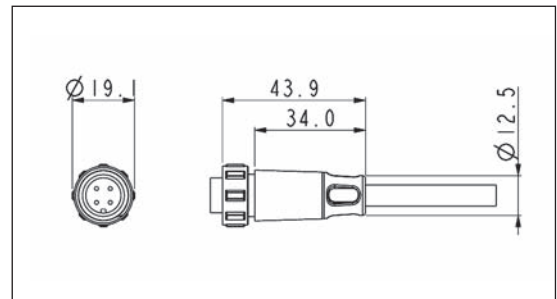
- Mates with Flex Cable connectors PX0400, PX0402 & PX0410
- Pin or socket
- 2, 3, 4, 6, 8, 10 or 12 pole
- For in-line cable connection
- Contacts supplied separately



### PRE-WIRED FLEX CONNECTOR



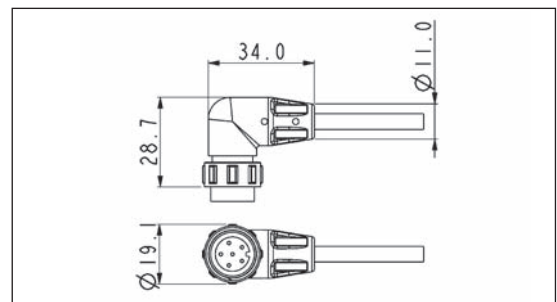
- Overmoulded Flex connector for pre-wired cable assemblies
- Pin or socket
- Cable range 2.5 - 9.0mm o/d
- 2, 3, 4, 6, 8, 10 or 12 pole
- Mates with PX0401 & PX0411 Flex In-Line connectors and PX0412 & PX0413 panel mounting connectors



### PRE-WIRED FLEX CONNECTOR



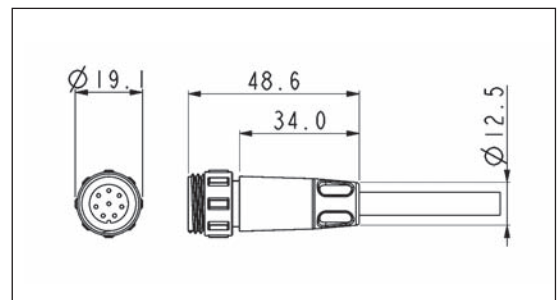
- Right-angled overmoulded Flex connector for pre-wired cable assemblies
- Pin or socket
- Cable range 2.5 - 9.0mm o/d
- 2, 3, 4, 6, 8, 10 or 12 pole
- Mates with PX0401 & PX0411 Flex In-Line connectors and PX0412 & PX0413 panel mounting connectors



### PRE-WIRED IN-LINE FLEX CONNECTOR



- Overmoulded Flex connector for pre-wired cable assemblies
- Pin or socket
- Cable range 2.5 - 9.0mm o/d
- 2, 3, 4, 6, 8, 10 or 12 pole
- Mates with PX0400, PX0402 & PX0410 Flex connectors

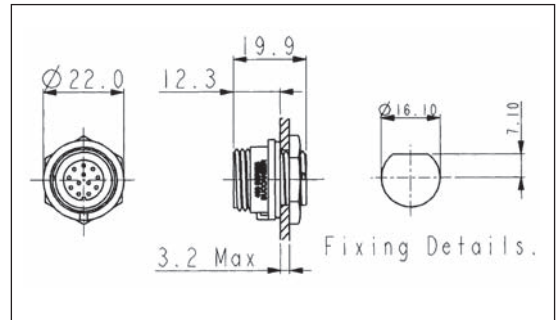


400 Series Buccaneer

FRONT PANEL MOUNTING CONNECTOR



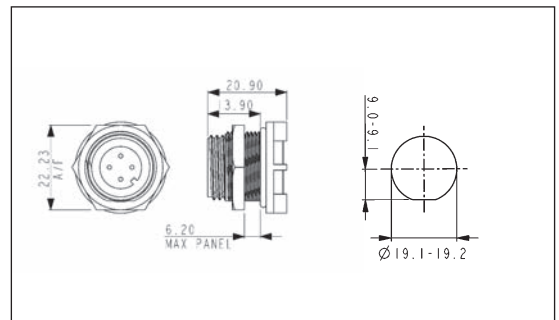
- Mates with Flex Cable connectors PX0410, PX0400 & PX0402
- Front Panel mounting
- Single hole fixing
- Contacts supplied separately
- 2, 3, 4, 6, 8, 10 or 12 pole



REAR PANEL MOUNTING CONNECTOR



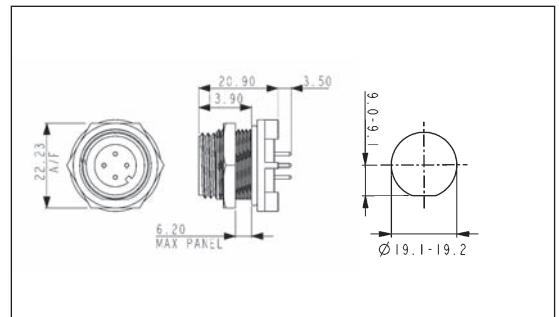
- Mates with Flex Cable connector PX0410, PX0400 & PX0402
- Rear Panel mounting
- Single hole fixing
- Contacts supplied separately
- 2, 3, 4, 6, 8, 10 or 12 pole



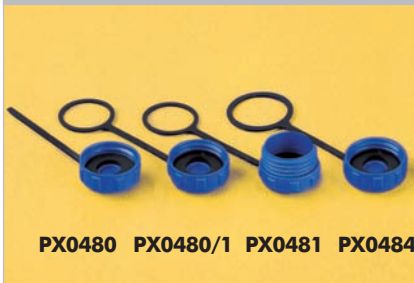
PCB MOUNTING CONNECTOR



- Mates with Flex Cable connector PX0410, PX0400 & PX0402
- PCB Rear Panel mounting
- Straight PC spills
- Supplied with pre-loaded gold plated contacts
- 2, 3, 4, 6, 8, 10 or 12 pole



SEALING CAPS AND ACCESSORIES



- Maintains IP68 Rating of Unmated Connectors
- PX0480: Fits PX0412 (panel mounting)
- PX0480/1: Fits PX0401 & PX0411 (flex in-line)
- PX0481: Fits PX0400, PX0402 & PX0410 (flex connector)
- PX0484: Fits PX0413 (PCB and rear panel mount)

GLAND PACKS

Part No	Description
PX0482	Pack of 4 pairs cable glands and collets to suit cables from 3.0 to 5.0mm diameter.
PX0483	Pack of 4 pairs cable glands and collets to suit cables from 5.0 to 7.0mm diameter.

## 400 Series Buccaneer

### CRIMP CONTACTS

Pole	Current Rating	Pin	Socket	Pack Qty	Cable Acceptance (dia)
2, 3	8A	SA3350	SA3349	10	20 - 24 AWG
4, 6, 8	5A	SA3348	SA3347	10	22 - 26 AWG
10, 12	1A	SA3180	SA3179	10	24 - 28 AWG

### SOLDER CONTACTS

Pole	Current Rating	Pin	Socket	Pack Qty	Cable Acceptance (dia)
2, 3	8A	SA3350/1	SA3349/1	10	20 - 24 AWG
4, 6, 8	5A	SA3348/1	SA3347/1	10	22 - 26 AWG
10, 12	1A	SA3180/1	SA3179/1	10	24 - 28 AWG

### CONTACT INSERTION TOOLS

	Poles	Contact rating	Colour	Part No
Insertion/Extraction Tool	2,3	8A	Blue	13027/2
Insertion/Extraction Tool	4,6,8	5A	Red	13027/1
Insertion/Extraction Tool	10,12	1A	Green	13027

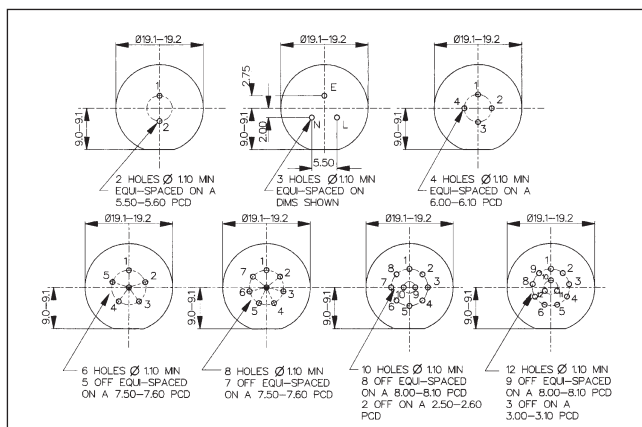
### CRIMP TOOLS

	Pole	Contact rating	Colour	Part No
Positioner	2,3	8A	Blue	14025/8AMP
Positioner	4,6,8	5A	Red	14025/5AMP
Positioner	10,12	1A	Green	14025/1AMP
8 Indent Crimp Tool for use with positioners				14025

### PCB CONTACT LAYOUT

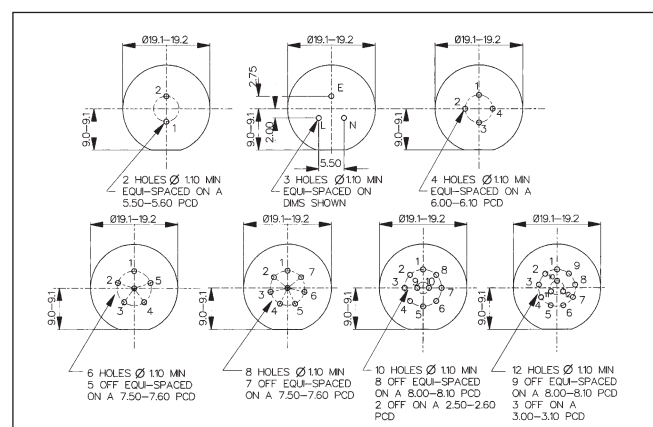
#### Sockets

Contact numbers viewed from rear of panel

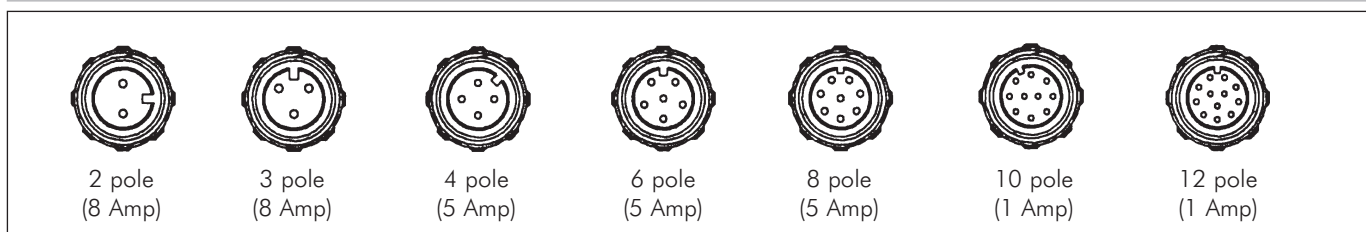


#### Plugs

Contact numbers viewed from rear of panel







### CONTACT LAYOUT




**SPECIFICATION**

**Electrical:**

Poles:	2, 3	4, 6, 8	10, 12
Current Rating:	8A	5A	1A
Voltage Rating:	250Vac/dc	125Vac/dc	50Vac/dc
Contact Resistance:	<5mΩ		
Insulation Resistance:	>10 <sup>6</sup> MΩ (@ 500V d.c.)		
AC Breakdown Voltage:	2.5kV		
Operating Temperature:	-40°C to +80°C		
Flex and panel types	-20°C to +85°C		
Overmoulded			
Approvals:			
UL: 	E214972		
CSA: 	1273303		
VDE: 	40002226		
CCC: 	Pending		
	<i>Approvals pending for PX0413 series. Overmoulded cable assemblies approvals to customer requirements.</i>		

**Material:**

Flex and panel types:	
Body Mouldings:	Polyamide
Flammability Rating:	UL94V-0
UV Resistance:	To EN 50021:1999
Overmoulded types:	
Body Mouldings:	Polyurethane
Flammability Rating:	UL94V-HB
Contacts:	Copper alloy, Gold plated
O Rings:	Nitrile
Panel Sealing O Ring:	Nitrile
	Compliant

**Mechanical:**

Sealing:	IP68, EN 60529 tested @ 1.054kg/sq cm (15lb/sq in) 10m depth for 2 weeks						
Cable Acceptance:	3.0 - 7.0mm						
Contact Accommodation:	2, 3 pole, 20 - 24 AWG 4, 6, 8 pole, 22 - 26 AWG 10, 12 pole, 24 - 28 AWG						
Termination:	Crimp, solder and PCB						
Insertion/Withdrawal Force:							
No. poles:	2	3	4	6	8	10	12
Insertion Force (typ):	19N	25N	27N	27N	28N	55N	62N
Withdrawal Force (typ):	12N	17N	17N	21N	22N	25N	29N
Tightening Torques:							
Panel mount (PX0412)	1.0-1.1Nm (9lbf.in.)						
Rear fixing nut:	1.0-1.1Nm (9lbf.in.)						
Panel mount (PX0413)							
Front fixing nut:	1.0-1.1Nm (9lbf.in.)						
Cable Retention force:							
3mm dia	60N						
4.7mm dia	80N						
Rear panel thread PX0412:	M16x1.5						
Panel thread PX0413:	18.97x26TPI Whitworth form to BS84 med fit						

**Dimensions:**

Overall dimensions of connectors when mated together	
Flex + Flex In-Line	80mm
Dia. over coupling ring	19.1mm

## 400 Series Buccaneer

### PART NO. SYSTEM

**PX04xx / xx x / xxxx**

#### Body Styles

- PX0410** = Flex body
- PX0411** = Flex in-line body
- PX0412** = Front panel mounting body
- PX0413** = Rear panel/PCB mounting body

#### Number Contacts

- 02** = 2 pole, **03** = 3 pole, **04** = 4 pole, **06** = 6 pole
- 08** = 8 pole, **10** = 10 pole, **12** = 12 pole

#### Contact Type

- P** = Pin, **S** = Socket

#### For PX0410 and PX0411 cable connectors - Cable Entry Size:

- |  |                                    |
|--|------------------------------------|
| <b>3035</b> = 3.0 - 3.5mm (Light Grey) | <b>5055</b> = 5.0 - 5.5mm (Yellow) |
| <b>3540</b> = 3.5 - 4.0mm (Grey)       | <b>5560</b> = 5.5 - 6.0mm (Blue)   |
| <b>4045</b> = 4.0 - 4.5mm (Green)      | <b>6065</b> = 6.0 - 6.5mm (White)  |
| <b>4550</b> = 4.5 - 5.0mm (Red)        | <b>6570</b> = 6.5 - 7.0mm (Black)  |

Cable gland and collet supplied in colour coded pairs.

#### For PX0413 PCB/Rear Panel Mount:

- PC** = Pre-loaded PC pins
- Blank** = no pins supplied

#### For PX0412 Front Panel Mount:

Suffix not required - leave blank

### ORDERING INFORMATION

- Determine body style, i.e. PX0410 = flex body, PX0411 = flex in-line body.
- Determine number of contacts & type, i.e. 02 = 2 way, P = pin contacts.
- Determine cable range, i.e. 3035 = 3.0 to 3.5mm cable accommodation, not required for PX0412 or PX0413 (panel connectors).
- Choose appropriate contacts pack, i.e. SA3350 = pin contacts suitable for 2 & 3 way connectors, supplied in pack quantities of 10. Not needed for PX0413/PC as pre-loaded.
- Is a sealing cap required?
- Is an insertion tool required?
- Is a crimp tool required?

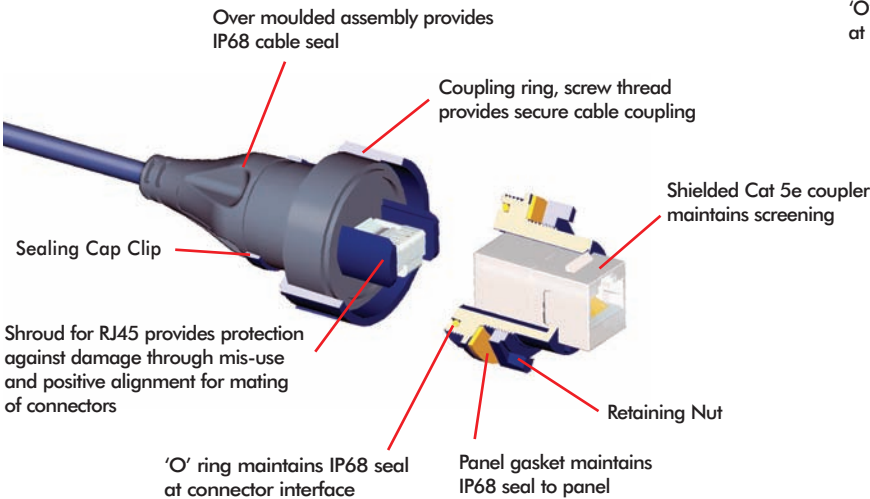
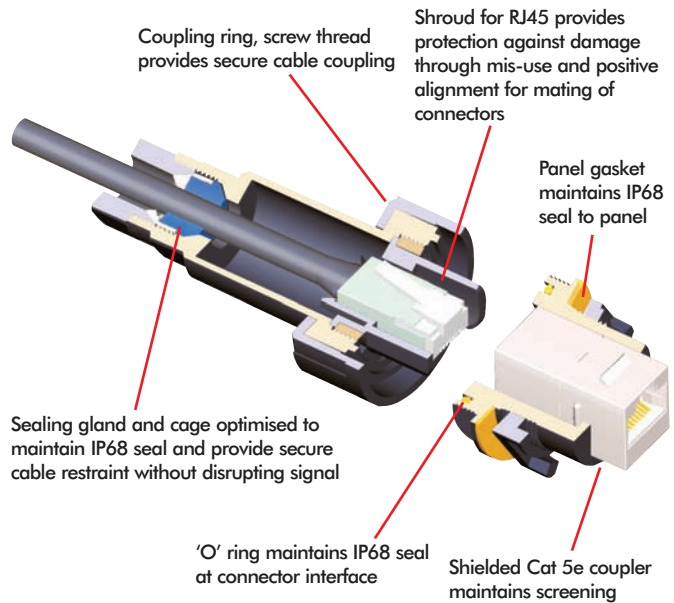
#### Examples:

- PX0410/10S/4045 = Flex cable connector, 10 socket contacts with gland and collet for cables between 4.0 and 4.5mm diameter (supplied less contacts).
- PX0412/08P = Front panel mounting connector, 8 pin contacts (supplied less contacts.)
- PX0413/06P = Rear panel mounting connector, for 6 pin contacts (supplied less contacts).
- PX0413/04P/PC = Rear panel/PCB connector, 4 pin contacts, PCB mounting (supplied with contacts loaded).



# Ethernet Buccaneer®

IP68



- IP68 rated
- Cat 5e compliant
- PUR jacket on cable
- Shielded system
- Cat 5e shielded coupler
- Shroud on RJ45
- Screw coupling
- Rewireable flex connector
- PCB mounted panel connector
- IDC termination panel connector
- Earth lead version of panel adaptor
- ▶ Dust and waterproof sealing when mated
- ▶ Data rate up to 100MHz
- ▶ Good chemical resistance, flame retardant
- ▶ High noise immunity and EMI protection
- ▶ Maintains shielding
- ▶ Protection from abuse and mis-mating
- ▶ Secure, proven locking system
- ▶ Ability to 'field' terminate
- ▶ Direct PCB mount panel connector
- ▶ Simple termination
- ▶ Continuous screening of panel mount connector

BUCCANEER DATA

**Ethernet Buccaneer®**

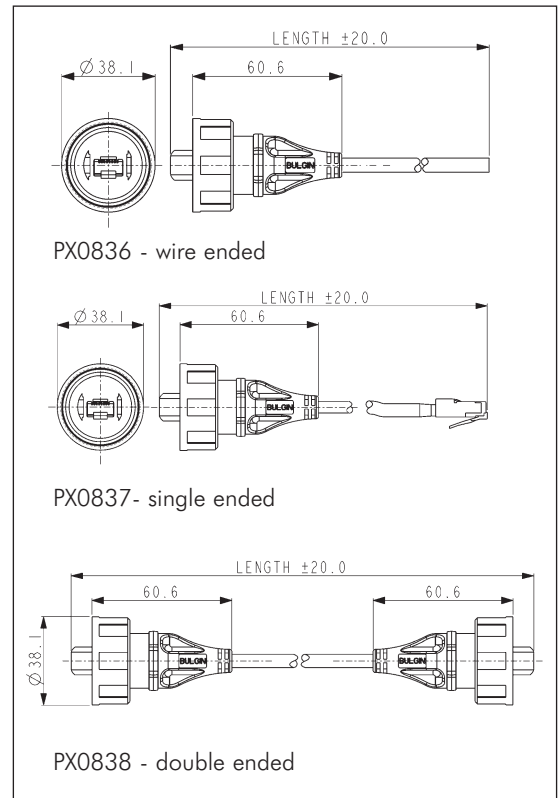
**PATCH CORD FLEX CONNECTOR - PUR JACKET CABLE**



PX0836

- Mates with all panel mounting connectors
- Patchcords with IP68 connector
- Supplied with shielded RJ45 plug
- Single or double end terminated
- Standard lengths: 2m, 3m & 5m
- S-FTP cable construction
- PUR jacket cable
- Wiring configuration to 568-B
- Exceeds EIA/TIA Cat 5e

Part no.	Type	Length	Description
PX0836/2M00	Wire end	2m	IP68 RJ Buccaneer to bare end
PX0836/3M00	Wire end	3m	IP68 RJ Buccaneer to bare end
PX0836/5M00	Wire end	5m	IP68 RJ Buccaneer to bare end
PX0837/2M00	Single ended	2m	IP68 RJ Buccaneer to Shielded RJ45
PX0837/3M00	Single ended	3m	IP68 RJ Buccaneer to Shielded RJ45
PX0837/5M00	Single ended	5m	IP68 RJ Buccaneer to Shielded RJ45
PX0838/2M00	Double ended	2m	IP68 RJ Buccaneer to IP68 RJ Buccaneer
PX0838/3M00	Double ended	3m	IP68 RJ Buccaneer to IP68 RJ Buccaneer
PX0838/5M00	Double ended	5m	IP68 RJ Buccaneer to IP68 RJ Buccaneer

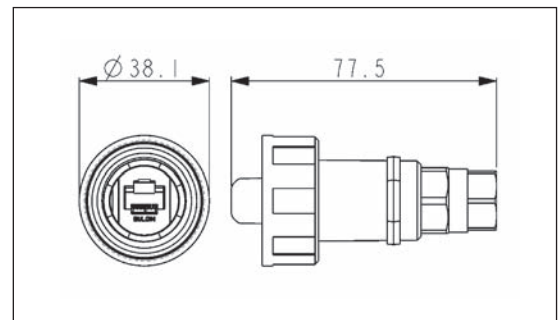


**RE-WIREABLE FLEX CONNECTOR**



PX0834

- Mates with all panel mounting connectors
- Supplied with shielded RJ45 plug
- Two versions:  
for PUR jacket cable (Cat 5e)  
for other cable sizes from 3.5 to 8mm dia.



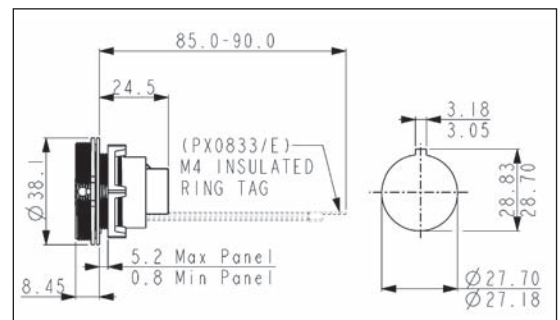
Part no.	Description
PX0834/A	Cable glands optimised for PUR jacket cable to maintain Cat 5e performance
PX0834/B	Suitable for use with cables from 3.5 to 8mm diameter

**PANEL MOUNTING CONNECTOR**



PX0833

- Cat 5e shielded coupler
- Mates with PX0836, PX0837, PX0838 and PX0834 flex connectors
- Standard RJ45 patchcord can be plugged into rear
- Version with earth wire available
- Single hole fixing
- Complete with panel sealing gasket



Part no.	Description	Fixing
PX0833	Cat 5e coupler	Front panel mounted
PX0833/E	Cat 5e coupler + earth wire	Front panel mounted

BUCCANEER DATA

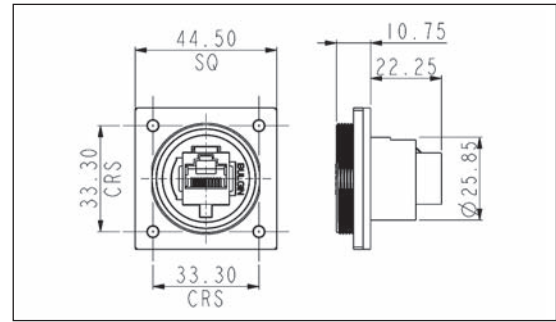
## Ethernet Buccaneer®

### FLANGE MOUNTING CONNECTOR



PX0870

- Cat 5e shielded coupler
- Mates with PX0836, PX0837, PX0838 and PX0834 flex connectors
- Standard RJ45 patchcord can be plugged into rear
- Version with earth wire available
- Flange fixing
- Complete with panel sealing gasket & screw sealing washers



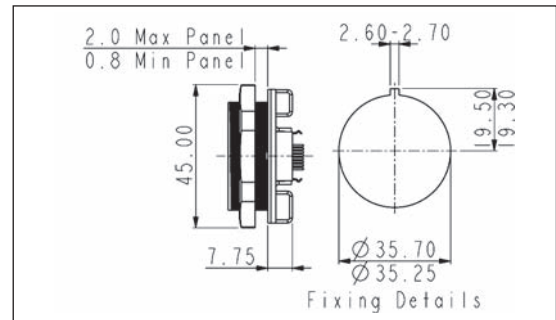
Part no.	Description	Fixing
PX0870	Cat 5e coupler	Flange mounting
PX0870/E	Cat 5e coupler + earth wire	Flange mounting

### PCB MOUNTING CONNECTOR

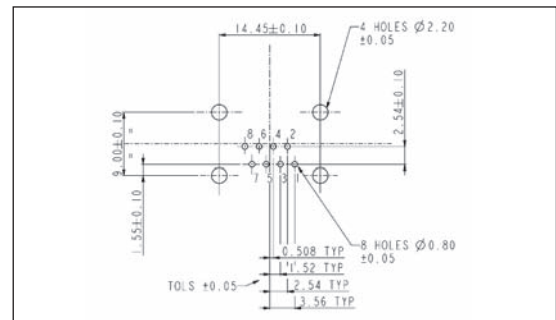


PX0839/PC

- Cat 5e shielded RJ45 interface
- Rear of panel mounted
- Mates with PX0836, PX0837, PX0838 and PX0834 flex connectors
- For direct vertical mounting to PCB, straight pins
- Complete with panel sealing gasket



Part no.	Description	Fixing
PX0839/PC	Cat 5e connector - PC	Rear panel mounted

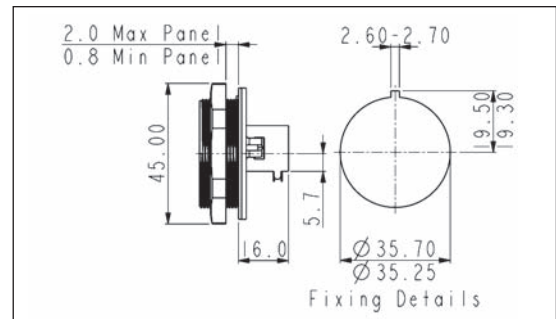


### PCB MOUNTING CONNECTOR

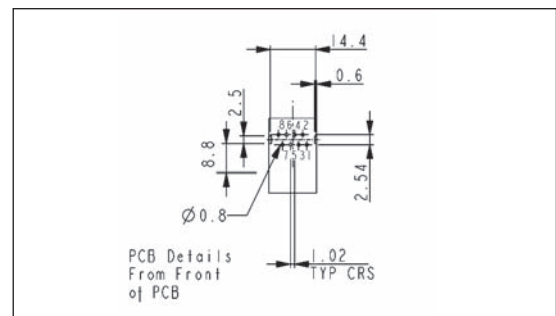


PX0839/90

- Cat 5e shielded RJ45 interface
- Rear of panel mounted
- Mates with PX0836, PX0837, PX0838 and PX0834 flex connectors
- For direct horizontal mounting to PCB, 90° pins
- Complete with panel sealing gasket



Part no.	Description	Fixing
PX0839/90	Cat 5e connector - PC	Rear panel mounted



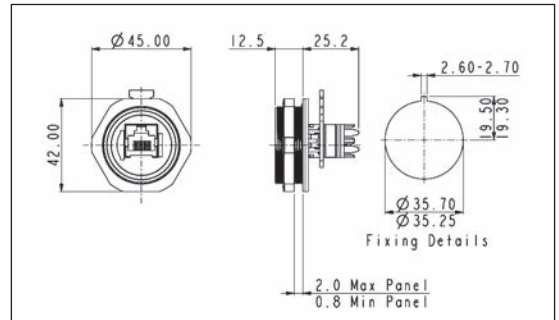
Ethernet Buccaneer®

PANEL MOUNTING CONNECTOR



PX0839/IDC

- Cat 5e shielded RJ45 interface
- Rear of panel mounted
- Mates with PX0836, PX0837, PX0838 and PX0834 flex connectors
- Two IDC blocks for discrete termination
- Complete with panel sealing gasket



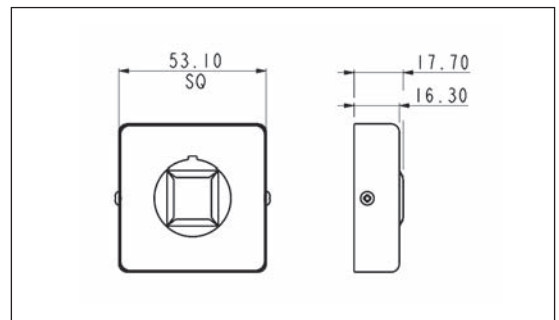
Part no.	Description	Fixing
PX0839/IDC	Cat 5e coupler	Rear panel mounted

SHIELDING BACK SHELL ACCESSORY



PX0888

- Maintains RJ45 coupler screening directly to panel
- Shielding can is fixed to rear of panel mount connector
- For use on PX0833



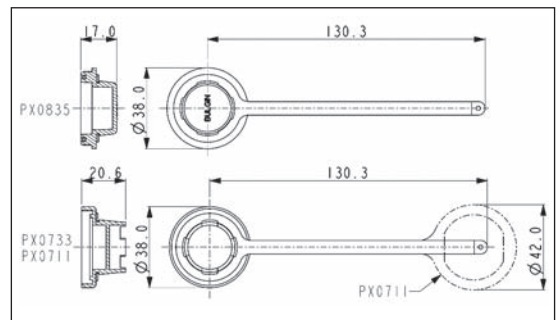
Part no.	Description
PX0888	Shielding backshell accessory

ACCESSORIES



Sealing Caps

- Sealing caps to maintain IP68 rating when connectors are not in use
- Replacement shielded RJ45s
- Hand crimp tool for shielded RJ45
- Patch cord cable available in 50m reels



Part no.	Description
PX0835	Sealing Cap for flex connectors (PX0834, PX0836-838)
PX0733	Sealing Cap for panel mounting connector (PX0833, PX0870)
PX0711	Sealing Cap for rear panel mounting connector (PX0839)
14151	Hand crimp tooling + die set
14199	PUR Jacket Cable - 50m reel
14150	Replacement shielded RJ45

## Ethernet Buccaneer®

### SPECIFICATION

#### Connectors

##### Mechanical

Sealing	IP68, EN60529
Operating Temperature	-20°C to +70°C

##### Materials - Overmoulded

Overmould material	PVC (black)
Flammability rating	UL94V-0

##### Materials - Re-wireable and Panel Connectors

Connector body & locking ring	Polyester
Panel connector	Nylon 6
Flammability rating	UL94V-0
'O' rings	Silicon
Panel Gasket - round	Silicon
Panel Gasket - flange	Neoprene

**RoHS**

#### RJ45 Plug

##### Materials

Moulding	Polycarbonate
Flammability	UL94V-0
Contact material	Phosphor Bronze
Contact plating	50 micron gold
Operating Temperature	-40°C to +70°C
Mating cycles	1,000 cycles

**RoHS**

##### Electrical

No. Conductors	8
Conductor types	24-28AWG, solid or multi-stranded
Current rating	1.5A
Voltage rating	30V ac, 42V dc
Contact resistance	10mΩ max.
Performance	Cat 5e

#### Stranded S-FTP Patch cord cable - PUR Jacket

Polyurethane (PUR) jacket cable with internal construction exceeding Cat 5e performance levels. The PUR jacket has excellent abrasion, chemical and ozone resistance, low smoke, low halogen flame retardant construction suitable for internal and external industrial environments.

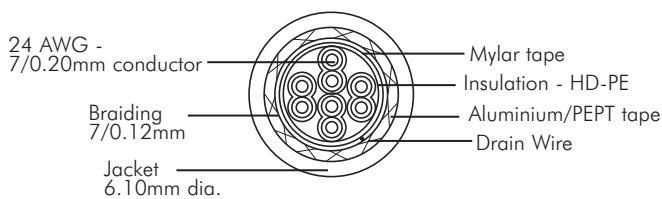
#### Cable

Conductors	24AWG (7/0.2mm) bare copper
Insulation	HD-PE
Pair	2 of the above cores twisted
Core	4 of the above cores
Tape	1 lap mylar tape
Screen	1 layer mylar and aluminium tape, 0.12mm tinned copper braid
Sheath	PUR Jacket Black
Op Temperature	-25°C to +85°C
Min. bend radius	10 x o/d (installation)
Min. bend radius	6 x o/d (installed)
Diameter	6.1mm nominal

#### Electrical @ 20°C

Characteristic Impedance	100Ω ±15Ω @ 100MHz
Capacitance	330pF/km
Conductor Loop resistance	29Ω/100m maximum
Skew	45 nsec/100m @ 100MHz
TIA/EIA Rating	Cat 5e

#### Cable construction - PX0836, PX0837, PX0838 and 14199



Polyurethane (PUR) Jacket

#### RJ45 Coupler

##### Materials

Coupler Shell	Copper Alloy
Coupler Plating	Nickel
Moulding	ABS
Flammability	UL94V-0
Contact material	Phosphor Bronze
Contact plating	50 micron gold
Operating Temperature	-40°C to +70°C
Mating cycles	1,000 cycles

**RoHS**

##### Electrical

No. Conductors	8
Current rating	1.5A
Voltage rating	30V ac, 42V dc
Contact resistance	10mΩ max.
Performance	Cat 5e

#### RJ45 PCB Connector

##### Materials

Coupler Shell	Copper Alloy
Coupler Plating	Nickel
Moulding	ABS
Flammability	UL94V-0
Contact material	Phosphor Bronze
Contact plating	50 micron gold
PC Pins	Tin plated
Operating Temperature	-40°C to +70°C
Mating cycles	1,000 cycles

**RoHS**

##### Electrical

No. Conductors	8
Current rating	1.5A
Voltage rating	30V ac, 42V dc
Contact resistance	10mΩ max.
Performance	Cat 5e



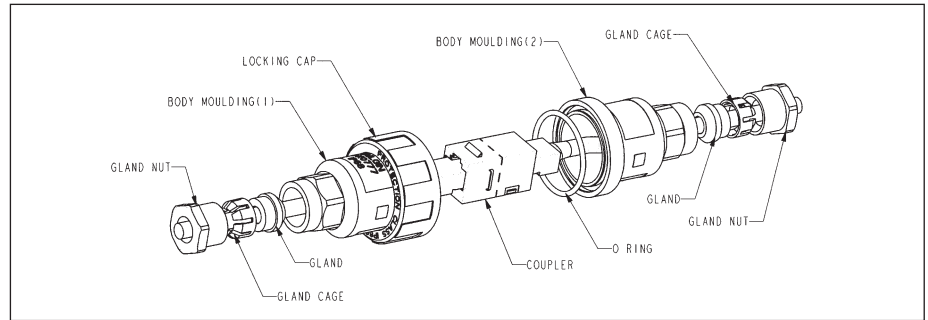
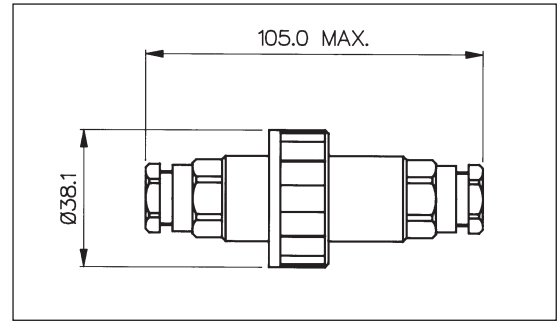
**Ethernet Buccaneer®**

**CABLE JOINER**



PX0777

- IP68 Rating
- For Sealed In-Line RJ45 Connections
- Supplied Complete with Coupler
- Shielded (STP) & Unshielded (UTP) versions
- Cat5e Shielded Coupler also available
- Cable Range 3.5 - 8mm (with glands supplied)

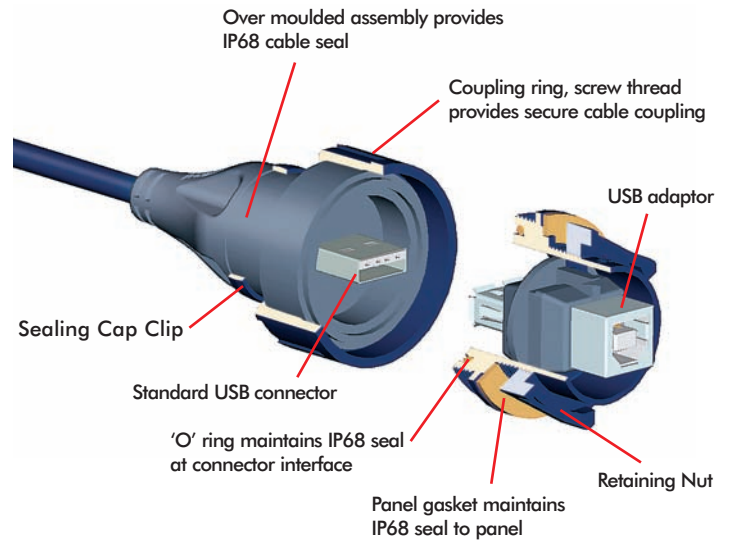


BUCCANEER DATA

Specification	PX0777/UTP	PX0777/STP	PX0777/CAT5ESTP
Rating:	1.5A, 30V a.c., 42V d.c.	1.5A, 30V a.c., 42V d.c.	1.5A, 30V a.c., 42V d.c.
No. of Conductors:	8	8	8
Coupler Type:	Unshielded	Shielded	Shielded CAT5e performance
Cable Range:	3.5 - 8mm With glands supplied: 3.5 - 5mm (Blue) 5 - 7mm (Green) 6 - 8mm (Red)	3.5 - 8mm With glands supplied: 3.5 - 5mm (Blue) 5 - 7mm (Green) 6 - 8mm (Red)	3.5 - 8mm With glands supplied: 3.5 - 5mm (Blue) 5 - 7mm (Green) 6 - 8mm (Red)
Material:	Glass Filled Polyamide UL94V-0	Glass Filled Polyamide UL94V0	Glass Filled Polyamide UL94V-0
Sealing:	IP68 to BSEN 60529 : 1977	IP68 to BSEN 60529 : 1977	IP68 to BSEN 60529 : 1977
Operating Temp. Range:	-20°C to +70°C	-20°C to +70°C	-20°C to +70°C
Colour:	Black	Black	Black
<b>RoHS</b>	Compliant	Compliant	Compliant

# USB Buccaneer®

IP68



- IP68 rated
- USB version 2.0 performance
- Plug and play capability
- Visual mating indication
- Shielded system
- Single and double ended cables
- Screw coupling
- PCB versions
- ▶ Dust and waterproof sealing when mated
- ▶ Low and high speed bus connection, 1.5Mbps to 480Mbps
- ▶ Hot pluggable, standard 4 pole interface
- ▶ Alignment indicator reduces risk of damage during mating
- ▶ High noise immunity and EMI protection
- ▶ Suitable for PC and peripheral configuration
- ▶ Secure, proven locking system
- ▶ Direct mounting or via adaptor leads

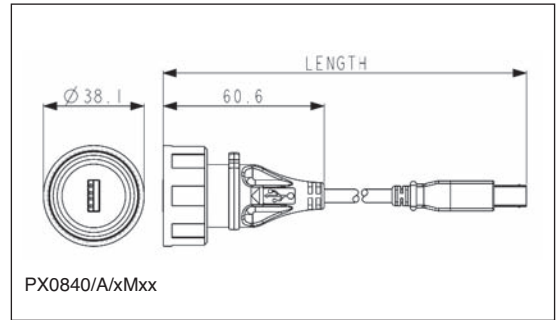
**SEALED USB CABLES - SINGLE ENDED**



PX0840/A

Single ended sealed cable assembly

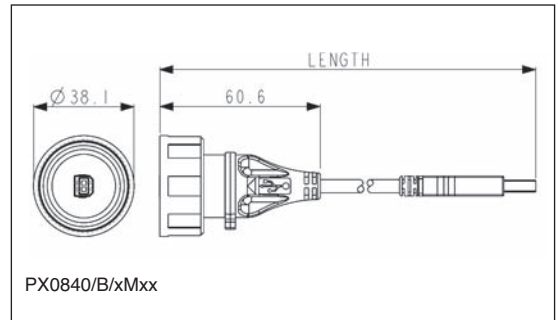
- IP68 'A' type USB connector to standard 'B' type USB connector, mates with all panel mount connectors
- IP68 'B' type USB connector to standard 'A' type USB connector, mates with all panel mount connectors
- Available in 2m, 3m and 5m lengths



PX0840/A/xMxx



PX0840/B



PX0840/B/xMxx

Part No.	Length	Description
PX0840/A/2M00	2m	IP68 A type USB to standard B type USB
PX0840/A/3M00	3m	IP68 A type USB to standard B type USB
PX0840/A/5M00	5m	IP68 A type USB to standard B type USB
PX0840/B/2M00	2m	IP68 B type USB to standard A type USB
PX0840/B/3M00	3m	IP68 B type USB to standard A type USB
PX0840/B/5M00	5m	IP68 B type USB to standard A type USB

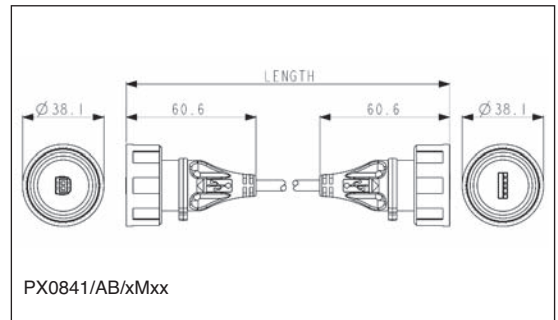
**SEALED USB CABLES - DOUBLE ENDED**



PX0841/AB

Double ended sealed cable assembly

- IP68 'A' type USB connector to IP68 'B' type USB connector
- Mates with all panel mount connectors
- Available in 2m, 3m and 5m lengths



PX0841/AB/xMxx

Part No.	Length	Description
PX0841/AB/2M00	2m	IP68 A type USB to IP68 B type USB
PX0841/AB/3M00	3m	IP68 A type USB to IP68 B type USB
PX0841/AB/5M00	5m	IP68 A type USB to IP68 B type USB

USB Buccaneer®

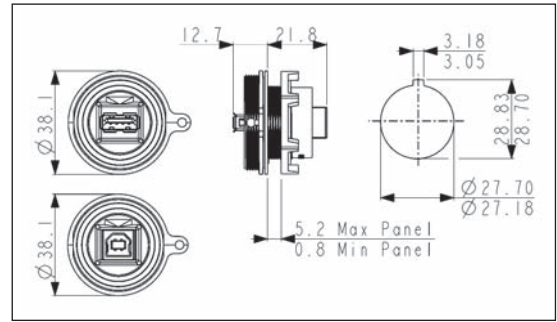
FRONT PANEL MOUNTING CONNECTOR



PX0842/A

PX0842/B

- PX0842/A - USB 'A' type IP68 connector
- PX0842/B - USB 'B' type IP68 connector
- Opposite connector to rear of panel
- Mates with PX0840 and PX0841 cable connectors



Part No.

Description

PX0842/A  
PX0842/B

IP68 A type USB, front panel mounted. Sealed A type at front of panel, standard B type at rear.  
IP68 B type USB, front panel mounted. Sealed B type at front of panel, standard A type at rear.

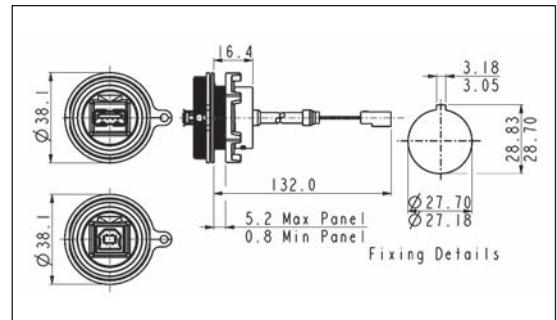
FRONT PANEL MOUNTING CONNECTOR



PX0843/A

PX0843/B

- PX0843/A - USB 'A' type IP68 connector
- PX0843/B - USB 'B' type IP68 connector
- Leaded with 5 way crimp connector
- Mates with PX0840 and PX0841 cable connectors



Part No.

Description

PX0843/A  
PX0843/B  
PX0460/A  
PX0460/B

IP68 A type USB, front panel mounted. Sealed A type at front of panel, 5 way crimp connector at rear.  
IP68 B type USB, front panel mounted. Sealed B type at front of panel, 5 way crimp connector at rear.  
As PX0843/A with exposed braid for use with PX0465 screening can  
As PX0843/B with exposed braid for use with PX0465 screening can

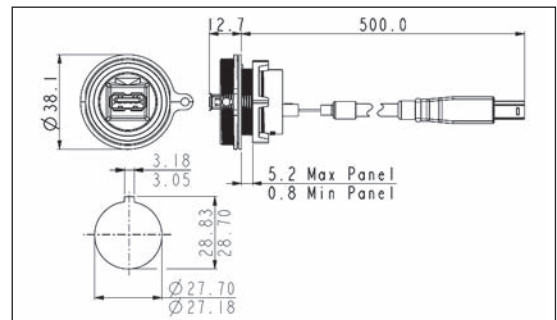
FRONT PANEL MOUNTING CONNECTOR



PX0844/A

PX0844/B

- IP68 Sealed through panel
- PX0844/A - USB 'A' type IP68 connector
- PX0844/B - USB 'B' type IP68 connector
- Standard USB interface plug options to rear of panel
- 500mm standard cable length, other lengths available
- Mates with PX0840 and PX0841



Part No.

Description

PX0844/A/OM50/A  
PX0844/A/OM50/B  
PX0844/B/OM50/A  
PX0844/B/OM50/B

IP68 A type USB, sealed through panel, Sealed 'A' type at front of panel, standard 'A' type at rear  
IP68 A type USB, sealed through panel, Sealed 'A' type at front of panel, standard 'B' type at rear  
IP68 B type USB, sealed through panel, Sealed 'B' type at front of panel, standard 'A' type at rear  
IP68 B type USB, sealed through panel, Sealed 'B' type at front of panel, standard 'B' type at rear

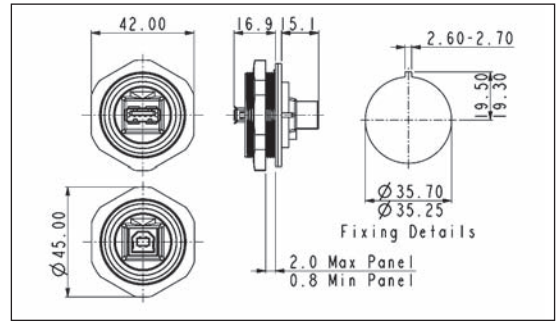


**USB Buccaneer®**

**REAR PANEL MOUNTING CONNECTOR**



- PX0848/A - USB 'A' type IP68 connector
- PX0848/B - USB 'B' type IP68 connector
- Opposite connector to rear of panel
- Mates with PX0840 and PX0841 cable connectors

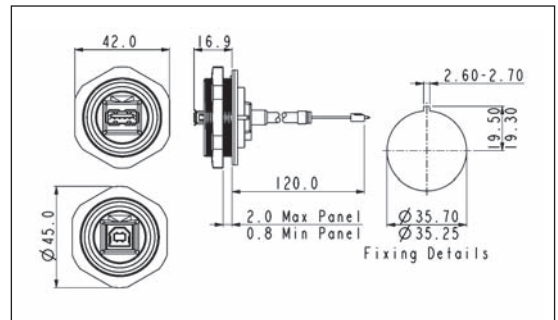


Part No.	Description
PX0848/A	IP68 A type USB, rear panel mounted. Sealed A type at front of panel, standard B type at rear.
PX0848/B	IP68 B type USB, rear panel mounted. Sealed B type at front of panel, standard A type at rear.

**REAR PANEL MOUNTING CONNECTOR**



- PX0849/A - USB 'A' type IP68 connector
- PX0849/B - USB 'B' type IP68 connector
- Leaded with 5 way header
- Mates with PX0840 and PX0841 cable connectors

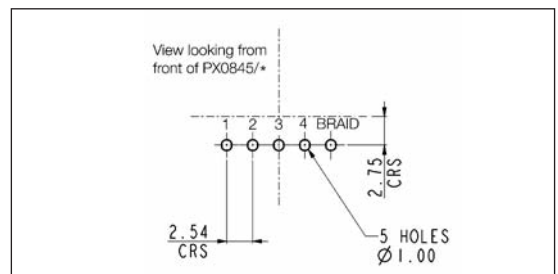
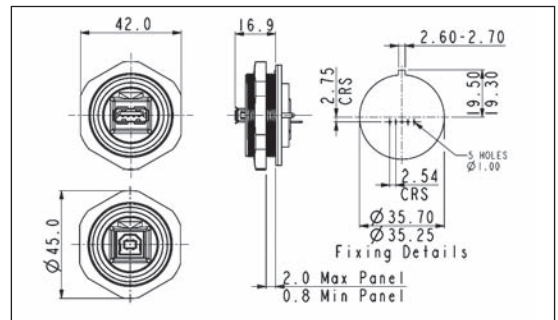


Part No.	Description
PX0849/A	IP68 A type USB, rear panel mounted. Sealed A type at front of panel, 5 way header at rear.
PX0849/B	IP68 B type USB, rear panel mounted. Sealed B type at front of panel, 5 way header at rear.

**REAR PANEL MOUNTING CONNECTOR - PCB DIRECT MOUNT**



- PX0845/A - USB 'A' type IP68 connector
- PX0845/B - USB 'B' type IP68 connector
- PCB contacts at rear
- Direct PCB mount
- Mates with PX0840 and PX0841 cable connectors



Part No.	Description
PX0845/A	IP68 A type USB, rear panel mounted. Sealed A type at front of panel, direct mount PCB contacts at rear.
PX0845/B	IP68 B type USB, rear panel mounted. Sealed B type at front of panel, direct mount PCB contacts at rear.

BUCCANEER DATA



## USB Buccaneer®

### PCB ADAPTOR LEADS



- Standard A and B type USB connectors to 5 way crimp adaptor leads
- 5 way headers, 2.54mm pitch, horizontal or vertical mounting

Part No.	Description
14193	USB 'A' type to 5 way crimp connector
14194	USB 'B' type to 5 way crimp connector
14191	5 way PCB header straight
14192	5 way PCB header right angle

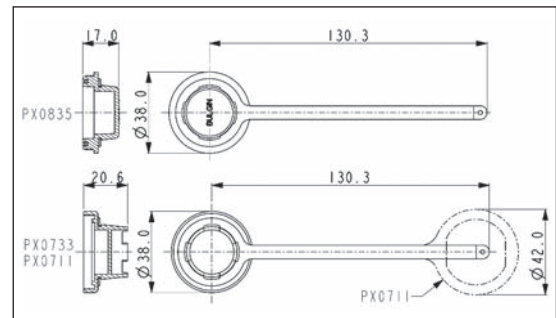


### ACCESSORIES



- Sealing caps to maintain IP68 rating when connectors are not in use
- PX0835 for cable connectors PX0840 & PX0841
- PX0733 for front panel mount connectors PX0842, PX0843 & PX0844
- PX0711 for rear panel mount connectors PX0848, PX0849 & PX0845

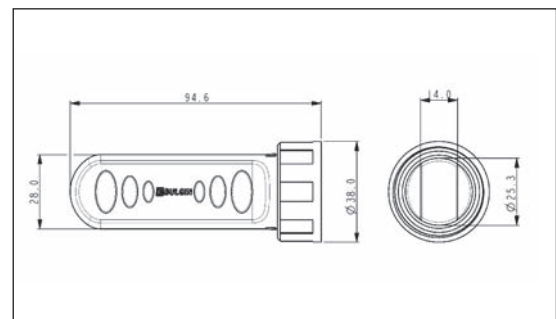
Part No.	Description
PX0835	Sealing Cap for cable connectors (PX0840, PX0841)
PX0733	Sealing Cap for front panel mounting connector (PX0842, PX0843)
PX0711	Sealing Cap for rear panel mounting connector (PX0848, PX0849, PX0845)



### USB FLASH DRIVE COVER



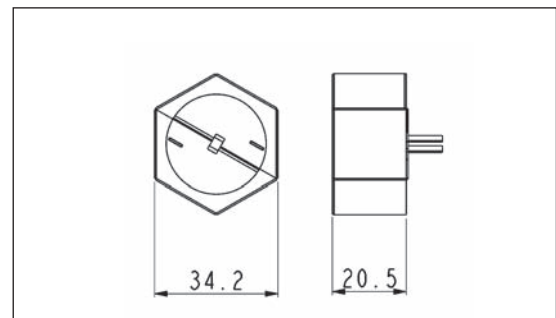
- For use with USB Flash Drives
- Maintains IP68 rating when mated with panel connector
- For use with 'A' type connectors: PX0842, PX0843, PX0845, PX0848 & PX0849
- Internal accommodation 17.5 x 14.0 x 83mm approx.



### SCREENING CAN



- Maintains cable screening directly to panel
- Screening can clips around the panel fixing nut
- For use on PX0460/A and PX0460/B



BUCCANEER DATA

**SPECIFICATION**

**Cables & connectors**

**Mechanical**

Sealing IP68, EN60529  
 Operating temperature 0°C to +70°C

**Electrical**

No. of poles 4  
 Current rating 1A  
 Voltage rating 30Vac (RMS)  
 Contact resistance 30mΩ max.  
 Performance USB version 2.0

**Materials - Overmoulded**

Overmould material PVC (black)  
 Flammability rating UL94V-0

**Materials - Re-wireable and Panel Connectors**

Shell material Steel  
 Shell plating Nickel  
 Contact material Copper Alloy  
 Contact plating 30 micro inch Gold  
 Connector body & locking ring Polyester  
 Panel connector Nylon 6  
 Flammability rating UL94V-0  
 'O' rings Silicon  
 Panel Gasket - round Silicon  
 Panel Gasket - square Neoprene  
 Mating cycles 1,000  
**RoHS** Compliant

**Materials - cable**

Cable Jacket PVC (black)  
 Screen Tinned copper braid  
 Flammability UL94V-0  
**RoHS** Compliant

Length:	Dia	Conductors	
		Signal	Power
2m	4.8mm	2 x 28AWG	2 x 24AWG
3m	5.0mm	2 x 28AWG	2 x 22AWG
5m	5.2mm	2 x 25AWG	2 x 20AWG

**PCB adaptor leads**

**Electrical**

No. of conductors 4  
 Current rating 1A  
 Voltage rating 30Vac (RMS)  
 Contact resistance <10mΩ max.  
 PCB pitch 2.54mm

**Materials**

Moulding Polycarbonate  
 Flammability UL94V-0  
 Contact material Copper Alloy  
 Contact plating 30 micro inch Gold  
 Wire insulation PVC (black)  
 Flammability UL94-V0  
 Conductors 4 x 28AWG  
 Operating temperature 0°C to +70°C  
 Mating cycles 1,000  
**RoHS** Compliant

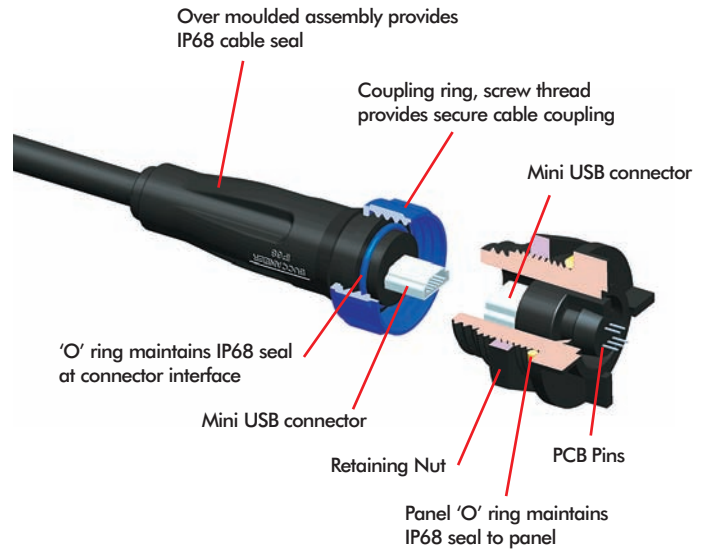
**Cable construction - PX0840, PX0841**



BUCCANEER DATA

# IP68 Sealed - Mini USB Buccaneer

IP68



- IP68 rated
- USB V2.0 performance
- Plug and play capability
- Shielded system
- Overmoulded cables
- Screw coupling
- PCB versions
- ▶ Dust and waterproof to EN60529
- ▶ Data rates up to 480Mbps
- ▶ Hot pluggable, standard 4 pole interface
- ▶ High noise immunity
- ▶ Tamperproof construction
- ▶ Secure, proven locking system
- ▶ Direct mounting or via adaptor leads

**Mini USB Buccaneer**

**SEALED MINI USB CABLES - SINGLE ENDED**



PX0441

- Standard 'A' type to sealed Mini 'B' type
- Fully overmoulded construction
- Available in 2, 3 & 4.5m lengths
- Mates with PX0443, PX0446, PX0447, PX0456, PX0457 & PX0458



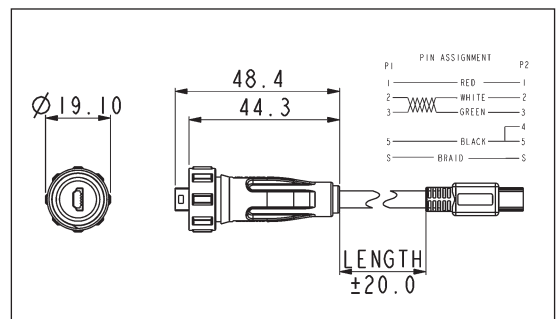
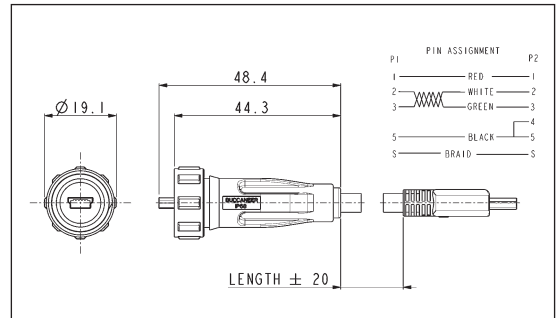
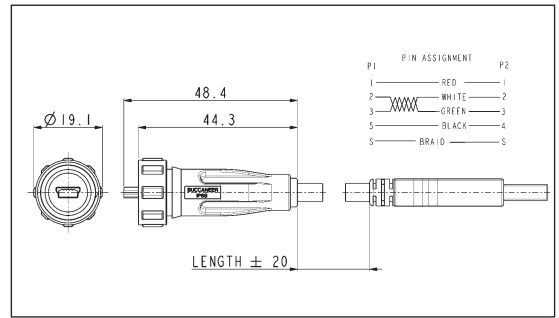
PX0442

- Mini 'A' type to sealed mini 'B' type
- Fully overmoulded construction
- Available in 2, 3 & 4.5m lengths
- Mates with PX0443, PX0446, PX0447, PX0456, PX0457 & PX0458



PX0444

- Mini 'B' type to Sealed Mini 'A' type
- Fully overmoulded construction
- Available in 2, 3 & 4.5m lengths
- Mates with PX0456, PX0457 & PX0458



Part No.	Description	Length
PX0441/2M00	IP68 mini 'B' to Std 'A' type USB	2.0m
PX0441/3M00	IP68 mini 'B' to Std 'A' type USB	3.0m
PX0441/4M50	IP68 mini 'B' to Std 'A' type USB	4.5m
PX0442/2M00	IP68 mini 'B' to Mini 'A' type USB	2.0m
PX0442/3M00	IP68 mini 'B' to Mini 'A' type USB	3.0m
PX0442/4M50	IP68 mini 'B' to Mini 'A' type USB	4.5m
PX0444/2M00	IP68 mini 'A' to Mini 'B' type USB	2.0m
PX0444/3M00	IP68 mini 'A' to Mini 'B' type USB	3.0m
PX0444/4M50	IP68 mini 'A' to Mini 'B' type USB	4.5m

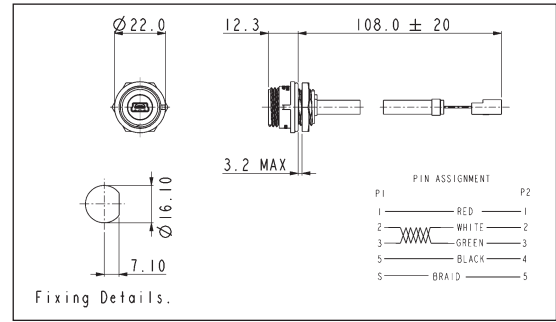
Mini USB Buccaneer

FRONT PANEL MOUNTING CONNECTOR



PX0443

- Mini 'B' type
- Leaded with 5 way crimp, for use with PC header
- Mates with PX0441 & PX0442 type cables



Part No.

Description

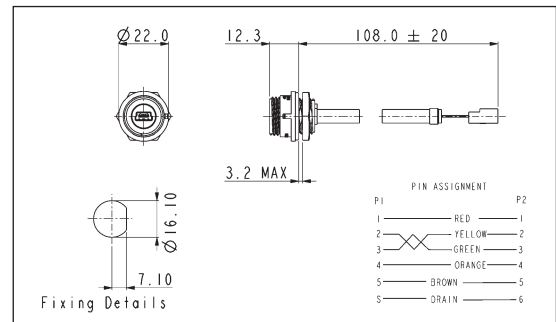
PX0443	IP68 B type Mini USB, front panel mounted. 5 way crimp connector at rear.
PX0459	As PX0443 with exposed braid for use with PX0464 screening can

FRONT PANEL MOUNTING CONNECTOR



PX0456

- Mini 'AB' type
- Leaded with 6 way crimp, for use with PC header
- Mates with PX0441, PX0442 & PX0444 type cables



Part No.

Description

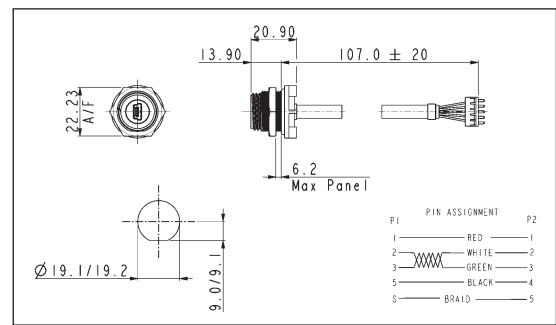
PX0456	IP68 AB type Mini USB, front panel mounted. 6 way crimp connector at rear.
--------	--

REAR PANEL MOUNTING CONNECTOR



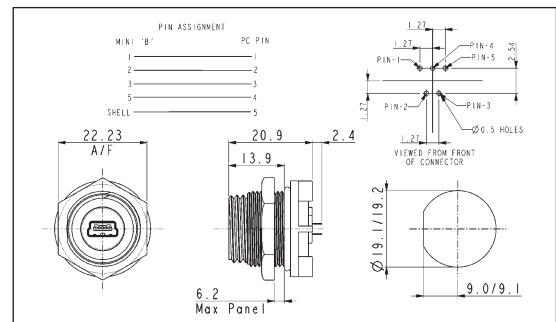
PX0446

- Mini 'B' type
- Leaded with 5 way header
- Mates with PX0441 & PX0442 type cables



PX0447

- Mini 'B' type
- With pins for direct PC mounting
- Mates with PX0441 & PX0442 type cables



Part No.

Description

PX0446	IP68 B type Mini USB, rear panel mounted. 5 way header connector at rear.
PX0447	IP68 B type Mini USB, rear panel mounted. PC terminals at rear.



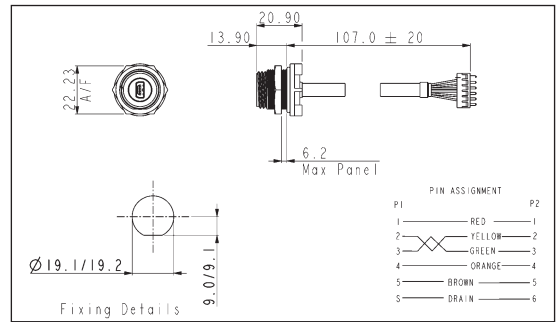
**Mini USB Buccaneer**

**REAR PANEL MOUNTING CONNECTOR**



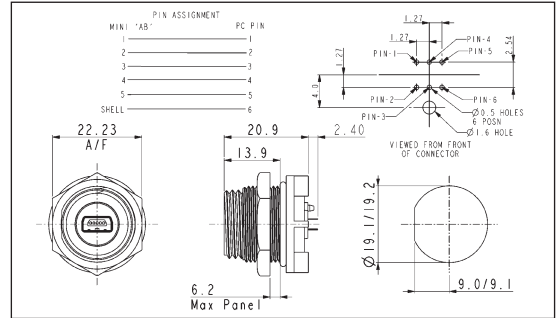
PX0457

- Mini 'AB' type
- Leaded with 6 way header
- Mates with PX0441, PX0442 & PX0444 type cables



PX0458

- Mini 'AB' type
- With pins for direct PC mounting
- Mates with PX0441, PX0442 & PX0444 type cables



Part No.	Description
PX0457	IP68 AB type Mini USB, rear panel mounted. 6 way header connector at rear.
PX0458	IP68 AB type Mini USB, rear panel mounted. PC terminals at rear.

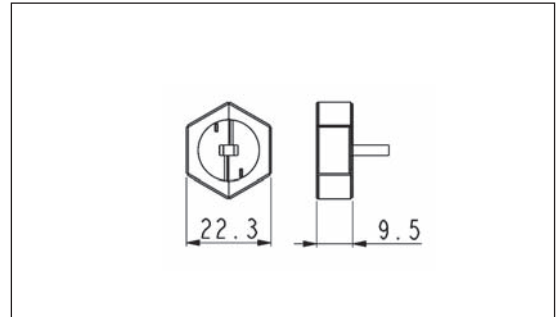
BUCCANEER DATA

**SCREENING CAN**



PX0464

- Maintains cable screening directly to panel
- Shielding can clips around the panel fixing nut
- For use on PX0459



**ACCESSORIES**



- Sealing caps to maintain IP rating when connectors are not in use
- PCB headers for use with PX0443 & PX0456

Part No.	Description
PX0485	Sealing cap for use with PX0441, PX0442 & PX0444
PX0480	Sealing cap for use with PX0443 & PX0456
PX0484	Sealing cap for use with PX0446, PX0447, PX0457 & PX0458
14191	5 way straight header
14192	5 way right angle header
14563	6 way straight header
14564	6 way right angle header

## Mini USB Buccaneer

### SPECIFICATION

#### Cables & connectors

##### Mechanical

Sealing	IP68, EN60529
Operating temperature	0°C to +70°C

##### Electrical

No. of poles	4 and 5
Current rating	1A
Voltage rating	30Vac, 42Vdc
Contact resistance	50mΩ max.
Performance	USB version 2.0

##### Materials - Overmoulded

Overmould material	PVC (black)
Flammability rating	UL94V-0

##### Materials - Re-wireable and Panel Connectors

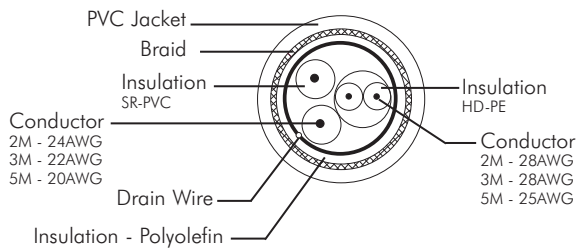
Shell material	Steel
Shell plating	Nickel
Contact material	Copper Alloy
Contact plating	50 micro inch Gold
Connector body & locking ring	Polyester
Panel connector	Nylon 6
Flammability rating	UL94V-0
'O' rings	Silicon
Panel Gasket	Silicon
Mating cycles	5,000
<b>RoHS</b>	Compliant

##### Materials - cable

Cable Jacket	PVC (black)
Screen	Tinned copper braid
Flammability	UL94V-0
<b>RoHS</b>	Compliant

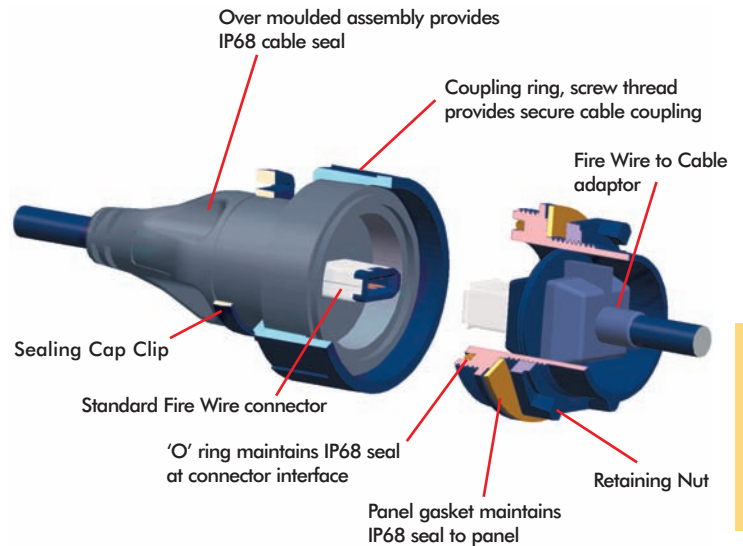
Length:	Dia	Conductors Signal	Conductors Power
2m	4.8mm	2 x 28AWG	2 x 24AWG
3m	5.0mm	2 x 28AWG	2 x 22AWG
5m	5.2mm	2 x 25AWG	2 x 20AWG

#### Cable construction - PX0441, PX0442, PX0444



# FireWire Buccaneer®

IP68

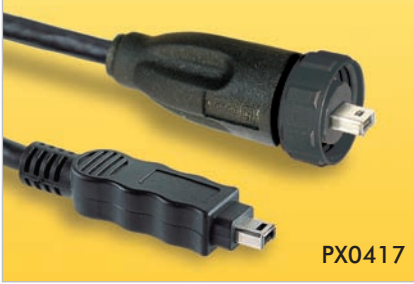


BUCCANEER DATA

- IP68 rated
- IEEE1394a performance to 400Mbps
- 4 & 6 pole interfaces
- Shielded system
- Overmoulded cables
- Screw coupling
- Panel Adaptor leads to PCB
- ▶ Dust and waterproof sealing when mated
- ▶ 'Real Time' performance
- ▶ Industry standard connection
- ▶ High noise immunity and EMI protection
- ▶ Secure tamperproof connection
- ▶ Secure, proven locking system
- ▶ For use on PCBs

## Fire Wire Buccaneer®

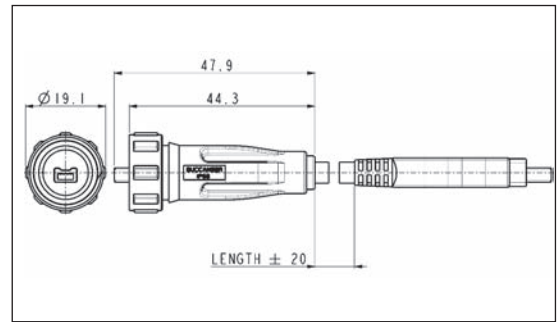
### SEALED FIRE WIRE CABLES - SINGLE ENDED



PX0417

Single ended sealed cable assembly

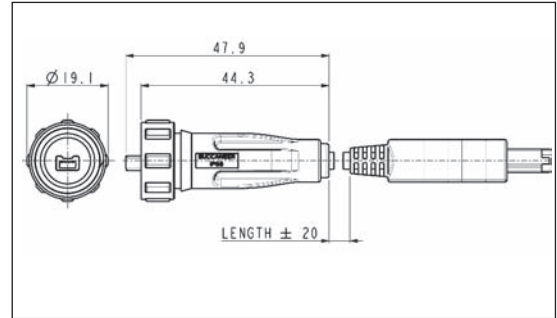
- IP68 4 pole sealed connector to standard 4 pole FireWire
- Overmoulded construction
- Available in 2m and 4m lengths (other lengths and sealed double ended cables available on request)



PX0418

Single ended sealed cable assembly

- IP68 4 pole sealed connector to standard 6 pole FireWire
- Overmoulded construction
- Available in 2m and 4m lengths (other lengths and sealed double ended cables available on request)



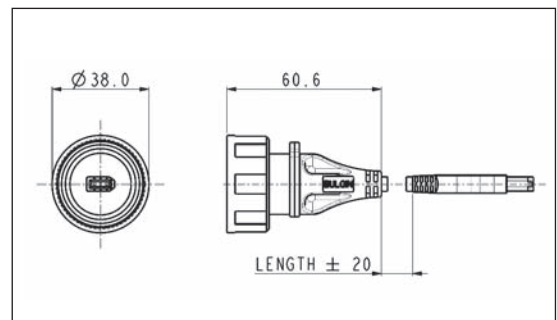
Part No.	Length	Description
PX0417/2M00	2m	IP68 4 pole to standard 4 pole FireWire
PX0417/4M00	4m	IP68 4 pole to standard 4 pole FireWire
PX0418/2M00	2m	IP68 4 pole to standard 6 pole FireWire
PX0418/4M00	4m	IP68 4 pole to standard 6 pole FireWire



PX0846

Single ended sealed cable assembly

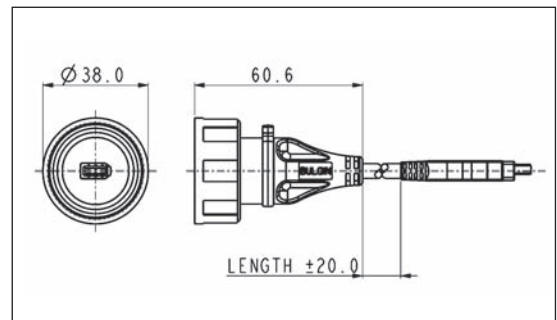
- IP68 6 pole sealed connector to standard 6 pole FireWire
- Overmoulded construction
- Available in 2m and 4m lengths (other lengths and sealed double ended cables available on request)



PX0851

Single ended sealed cable assembly

- IP68 6 pole sealed connector to standard 4 pole FireWire
- Overmoulded construction
- Available in 2m and 4m lengths (other lengths and sealed double ended cables available on request)



Part No.	Length	Description
PX0846/2M00	2m	IP68 6 pole to standard 6 pole FireWire
PX0846/4M00	4m	IP68 6 pole to standard 6 pole FireWire
PX0851/2M00	2m	IP68 6 pole to standard 4 pole FireWire
PX0851/4M00	4m	IP68 6 pole to standard 4 pole FireWire

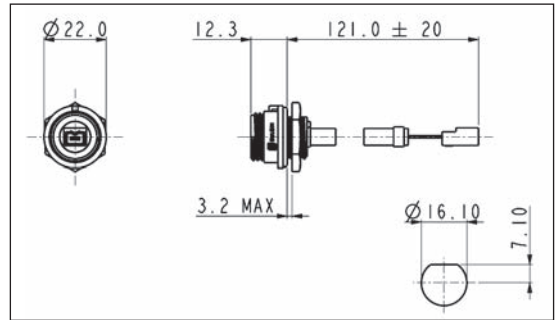
**Fire Wire Buccaneer®**

**PANEL MOUNTING CONNECTOR**



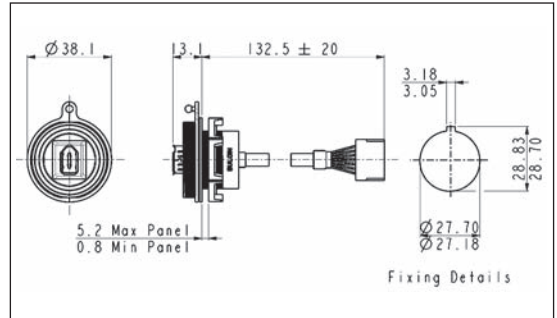
PX0419

- Front of panel mounted 4 pole IP68 FireWire
- Cable to rear with 5 way crimp for use with PCB header
- Mates with PX0417 & PX0418



PX0847

- Front of panel mounted 6 pole IP68 FireWire
- Cable to rear with 7 way crimp for use with PCB header
- Mates with PX0846 & PX0851



Part No.	Description
PX0419	IP68 4 pole, panel mounted, with 5 way crimp at rear
PX0847	IP68 6 pole, panel mounted, with 7 way crimp at rear

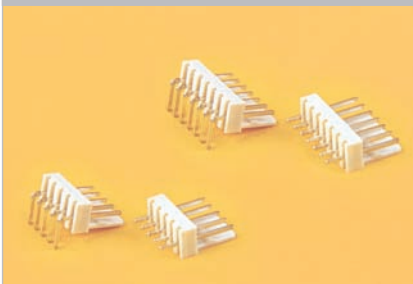
**SEALING CAPS**



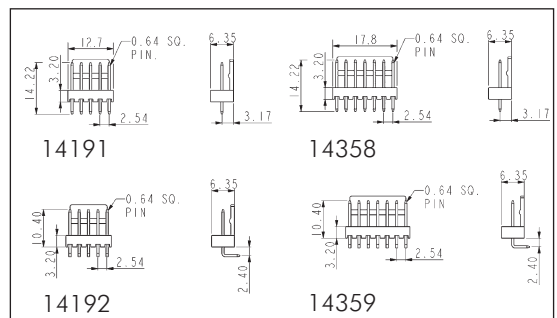
- Sealing caps to maintain IP rating when connectors are not in use
- Chassis mounting & cable mounting versions

Part No.	Description
PX0485/BK	Sealing cap for 4 pole cable connectors (PX0417, PX0418)
PX0480/BK	Sealing cap for 4 pole chassis connector (PX0419)
PX0835	Sealing cap for 6 pole cable connectors (PX0846, PX0851)
PX0733	Sealing cap for 6 pole cable connector (PX0847)

**ACCESSORIES**



- PCB headers
- 2.54mm pitch, horizontal or vertical mounting
- 5 way headers for use with PX0419
- 7 way headers for use with PX0847



Part No.	Description
14191	5 way PCB header straight
14192	5 way PCB header right angle
14358	7 way PCB header straight
14359	7 way PCB header right angle



## Fire Wire Buccaneer®

### SPECIFICATION

#### Mechanical:

Sealing	IP68, EN60529	IP68, EN60529
Operating Temperature:	0°C to +70°C	0°C to +70°C

#### Electrical:

No. Poles:	4	6
Current Rating:	1A	1A
Voltage Rating:	30V a.c.	30V a.c.
Contact plating:	30 micro inch gold	30 micro inch gold
Operating Temperature Range:	0°C to +70°C	0°C to +70°C
Performance:	IEEE1394a	IEEE1394a

#### Materials - connectors:

Poles:	4	6
Connectors		
Shell material:	Steel	Steel
Shell plating:	Nickel	Nickel
Insulation moulding:	Glass filled PBT	Glass filled PBT
Flammability rating:	UL94V-0 rated	UL94V-0 rated
Contact material:	Copper alloy	Copper alloy
Contact plating:	30 micro inch gold	30 micro inch gold
Mating cycles:	1,000	1,000
Cable Connectors		
Overmould material:	PVC (black)	PVC (black)
Flammability rating:	UL94V-0 rated	UL94V-0 rated
Panel Connectors		
Body Mouldings:	Polyamide	Polyamide
Flammability rating:	UL94V-0 rated	UL94V-0 rated
UV Resistance	to EN50021:1999	to EN50021:1999
O Rings	Nitrile	Nitrile
<b>RoHS</b>	Compliant	Compliant

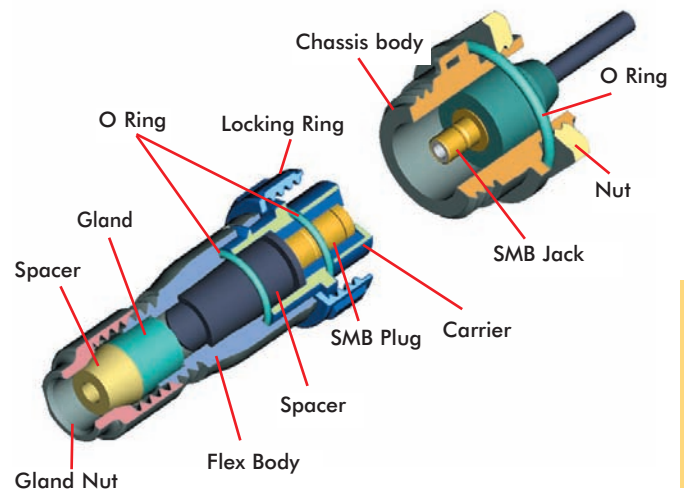
#### Materials - cables:

Poles:	4	6
Cable jacket:	PVC (black)	PVC (black)
Flammability rating:	UL94V-0 rated	UL94V-0 rated
<b>RoHS</b>	Compliant	Compliant

Product type	Length	Dia.	Conductor
4 pole chassis	100mm	5.0mm	30AWG
6 pole chassis	100mm	5.8mm	28AWG
4 pole flex	2m & 4m	5.5mm	28AWG
6 pole flex	2m & 4m	5.8mm	28AWG

# SMB Buccaneer®

IP68



BUCCANEER DATA

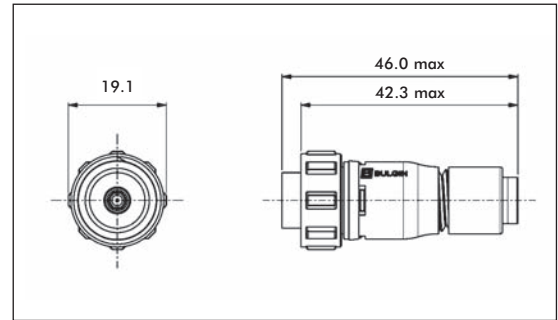
- Sealed to IP68 when mated
- 50Ω Impedance SMB connector
- Frequency range 0-4GHz
- Contact resistance
  - centre - 6mΩ max.
  - outer - 2.5mΩ max.
- Gold plated contacts
- Diameter over coupling ring 19mm
- Body moulding, Nylon UL94-V0 rated
- Two versions of Flex Connector
  - re-wireable
  - pre-wired - lengths 1m, 3m & 5m
- Panel connector
  - pre-wired - lengths 0.5m, 1m & 1.5m
- Cable accommodation (flex re-wireable), RG-174
- Cable type (pre-wired connectors), RG-174

## SMB Buccaneer®

### RE-WIREABLE FLEX CONNECTOR



- Mates with Panel connector (PX0414)
- Re-wireable connector
- For RG-174 cable
- Supplied with SMB plug



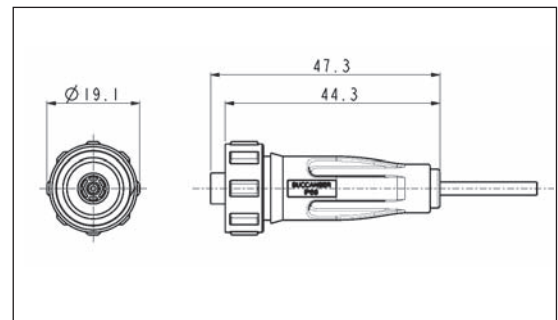
Part no.	Description
----------	-------------

PX0415/1	Re-wireable connector with SMB Plug - for RG-174 cable
----------	--

### PRE-WIRED FLEX CONNECTOR



- Mates with Panel connector (PX0414)
- Pre-wired
- Overmoulded construction
- Supplied with SMB plug terminated with RG-174 cable
- 1m, 3m & 5m cable lengths



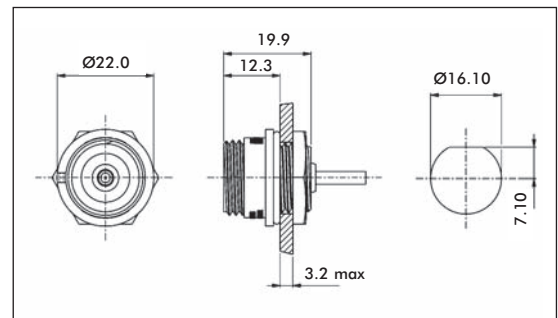
Part no.	Description
----------	-------------

PX0416/1M00	Overmoulded connector with SMB plug - cable length 1m
PX0416/3M00	Overmoulded connector with SMB plug - cable length 3m
PX0416/5M00	Overmoulded connector with SMB plug - cable length 5m

### PANEL MOUNTING CONNECTOR



- Mates with Flex connectors (PX0415, PX0416)
- Single hole fixing
- Supplied with SMB jack terminated with RG-174 cable
- U.FL cable version also available



Part no.	Description
----------	-------------

PX0414/0M50	Panel connector with SMB jack - cable length 0.5m
PX0414/1M00	Panel connector with SMB jack - cable length 1m
PX0414/1M50	Panel connector with SMB jack - cable length 1.5m

### SEALING CAPS AND ACCESSORIES



- Sealing caps maintain IP rating when connectors are not in use

Part no.	Description
----------	-------------

PX0480	Sealing cap for PX0414 chassis connector
PX0481	Sealing cap for PX0415 re-wireable flex connectors
PX0485	Sealing cap for PX0416 overmoulded flex connector
14319	Hand crimp tool for SMB

**SPECIFICATION**

**Electrical:**

Impedance:	50Ω
Frequency Range:	0-4GHz
Contact Resistance:	
Centre:	6mΩ (max.)
Outer:	2.5mΩ (max.)
Insulator Resistance:	1000MΩ (max.)

**Mechanical:**

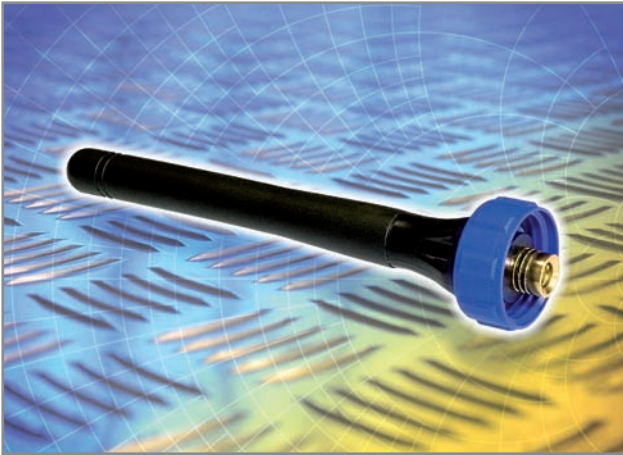
Sealing:	IP68, EN 60529
Cable Acceptance:	RG-174
Insertion/Withdrawal Force:	
Insertion Force:	36N
Withdrawal Force:	36N
Cable Retention Force:	18N
Mating Cycles:	500
Operating Temperature:	-20°C to +80°C

**Material:**

PX0415/1 and PX0414	
Body Mouldings:	Polyamide
Flammability Rating:	UL94V-0
UV Resistance:	To EN 50021:1999
PX0416	
Body Mouldings:	PVC (black)
Flammability Rating:	UL94V-0
O Rings:	Nitrile
Panel Sealing O Ring:	Nitrile
SMB Connector	
Body:	Brass to QQ-B-626, Gold Plated
Centre Contact:	
Plug:	Brass to QQ-B-626, Gold Plated
Jack:	Beryllium Copper to QQ-B-530, Gold Plated
Insulator:	Teflon
Crimp Ferrules:	Annealed Copper
<b>RoHS</b>	Compliant

# Wireless Buccaneer

IP68



## SMB Antenna

- IP68 Sealing
- SMB 50 ohm interface
- For use with SMB Buccaneer
- Three frequency bands:
  - 440 to 470MHz
  - 900/1800/1900MHz
  - 2.4 to 2.5GHz
- Maintains sealing integrity of equipment



## Bluetooth Cable Replacement

- IP68 Sealing
- RS485/RS232 serial interfaces
- Serial data to Bluetooth
- Wireless transparent data connection
- Up to 100m range (class 1)
- Maintains sealing integrity of equipment

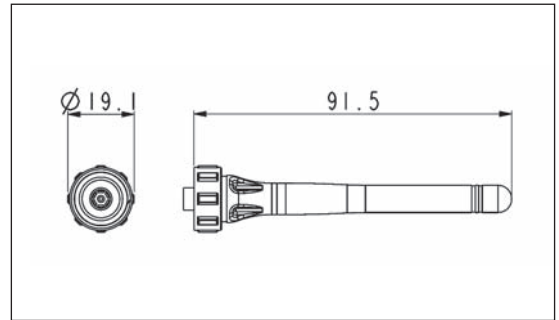


**Buccaneer Antenna**

**SMB ANTENNA**



- Dust & waterproof to IP68 EN60529 when mated
- Secure screw thread locking
- Built-in sealed antenna
- Mates with SMB Buccaneer PX0414
- Frequency bands:  
2.4 to 2.5GHz  
440 to 470MHz  
850-900/1800/1900MHz



Part no.	Description
PX0407	IP68 rated, Buccaneer Antenna, 2.4 to 2.5GHz frequency band
PX0408	IP68 rated, Buccaneer Antenna, 440 to 470MHz frequency band
PX0409	IP68 rated, Buccaneer Antenna, 850-900/1800/1900MHz frequency band

**SPECIFICATION**

**Electrical:**

Frequency	
PX0407	2.4 to 2.5GHz
PX0408	440 to 470MHz
PX0409	850-900/1800/1900MHz
Configuration	Half Wavelength
Radiation	Omnidirectional
Polarization	Vertical
Impedance	50Ω nominal
VSWR	<2

**Mechanical:**

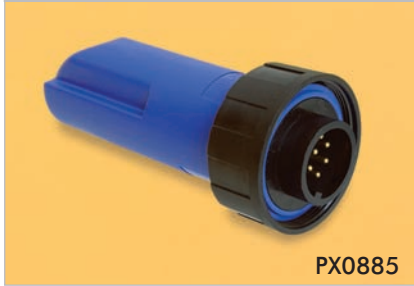
Sealing	IP68, EN60529, when mated
Operating Temperature:	-20°C to +65°C

**Material:**

Body Mouldings	PVC
Flammability Rating	UL94V-0
UV Resistance	EN50021:1999
<b>RoHS</b>	Compliant

## Buccaneer® Bluetooth Cable Replacement

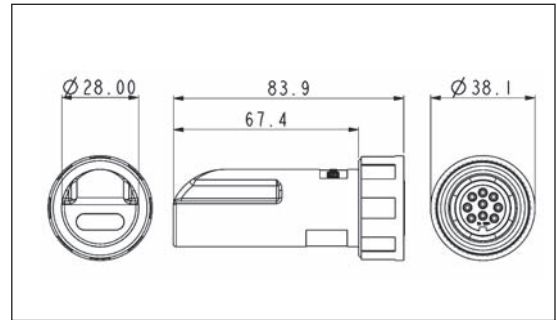
### BLUETOOTH CABLE REPLACEMENT RS232, RS422 & RS485



PX0885



- Dust & waterproof to IP68 EN60529 when mated
- RS232, RS422 & RS485 Serial data to Bluetooth Adapter
- Wireless transparent data connection
- Self connecting for true cable replacement
- Up to 100m range (class 1)
- Multidrop or point to point versions
- Multidrop wireless master to 7 slaves (max) auto bonding
- Point to point - non bonding
- Optional remote parameter setting
- Mates with: PX0727/S, PX0707/S/09, PX0709/S/09, PX0769/S, PX0884



Part No.	Description
PX0885/01/M	Master unit, IP68 rated, Bluetooth Class 1
PX0885/02/M	Master unit, IP68 rated, Bluetooth Class 2
PX0885/01/S	Slave unit, IP68 rated, Bluetooth Class 1
PX0885/02/S	Slave unit, IP68 rated, Bluetooth Class 2
PX0885/01/P	Point to point, IP68 rated, Bluetooth Class 1
PX0885/02/P	Point to point, IP68 rated, Bluetooth Class 2

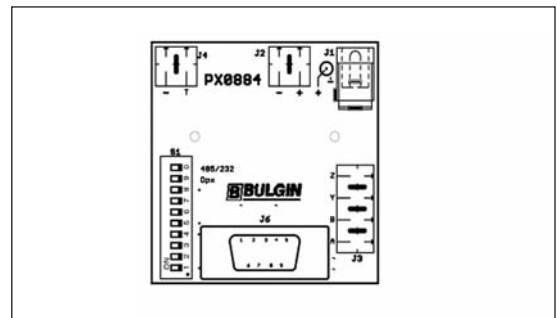
## Bluetooth Buccaneer® Interface Adaptor

### BLUETOOTH INTERFACE ADAPTER



PX0884

- Development board for use with PX0885 Buccaneer Bluetooth cable replacement
- Convenient screw terminations
- RS232 9-D plug connector
- Incorporates 9 way Buccaneer connector



Part no.	Description
PX0884	Interface adaptor for use with Buccaneer Bluetooth cable replacement PX0885



# IEC Connectors

A full range of quality mains rated inlets, outlets and connectors conforming to IEC and EN 60320 specifications carrying UL, CSA, VDE and other approvals. With electrical ratings up to 20A, 250V (UL) these connector ranges offer solutions to most mains powered equipment and cable applications. The combinations of mounting styles and terminations include: flange fixing, snap to panel and PCB mounting versions together with 2.8/solder tabs, 4.8 and 6.3 faston tabs, screw terminal and PC spill versions. Completing the range are insulating boots, retaining clips and safety covers.

In addition to the standard black moulding, most styles are also available in either white or grey and special colours to match OEM equipment can also be supplied.

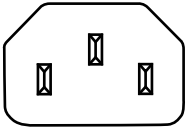
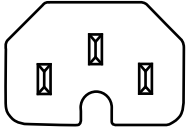
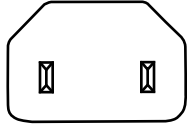
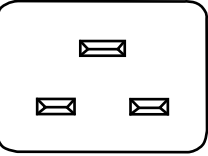
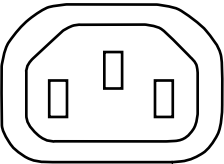
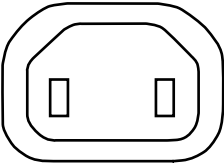
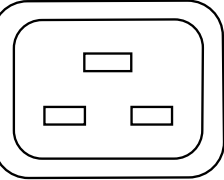
Type		Page
<b>IEC Power Inlets &amp; Connectors</b>		
PX0587	Sheet C13 Rewirable	76
PX0587/SE	Sheet C13 Rewirable	76
PX0588	Sheet C13 Rewirable	76
PX0575	Sheet C14 Snap Fit	77
PX0579	Sheet C14 Vertical Flange	78
PX0580	Sheet C14 Flange/PC Mount	78
PX0580/PC	Sheet C14 PC Mount	79
PF0001	Sheet C14 Single Fuse	80
PF0002	Sheet C14 Single Fuse	80
PF0011	Sheet C14 Single Fuse	81
PF0030	Sheet C14 Twin Fuse	82
PF0033	Sheet C14 Twin Fuse	82
PX0597	Sheet C15 Hot Condition	83
PX0590	Sheet C16 Hot Condition	83
PX0595	Sheet C16 Hot Condition	83
PX0690	Sheet C18 Flange Mount	84
PX0691	Sheet C18 Snap Fit	84
PF0006	Sheet C18 Single Fuse	85
PF0007	Sheet C18 Single Fuse	85
PF0016	Sheet C18 Single Fuse	85

Type		Page
<b>IEC Power Outlets &amp; Plug Connectors</b>		
PX0685	Sheet E Rewirable	86
PX0686	Sheet E Rewirable	86
PX0686/SE	Sheet E Rewirable	86
PX0716	Sheet F Snap Fit	87
PX0718	Sheet F Snap Fit	87
PX0717	Sheet F Snap Fit	88
PX0578	Flange Mount	88
PX0675	Sheet F Flange Mount	89
PX0695	Sheet F Snap Fit	90
PX0783	Sheet F Snap Fit Shuttered	91
PX0793	Sheet F Flange Mount Shuttered	91
PX0793/1	Sheet F Flange Mount Shuttered	91
PX0705	Sheet H Flange Mount	92
PX0725	Sheet H Snap Fit	92

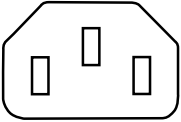
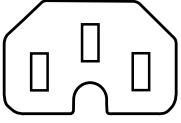
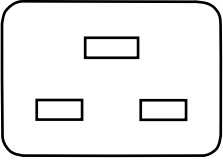
<b>IEC Power Inlets &amp; Connectors - High Current</b>		
PX0599	Sheet C19 Rewirable	93
PX0596	Sheet C20 Flange Mount	93
PX0598	Sheet C20 Snap Fit	93

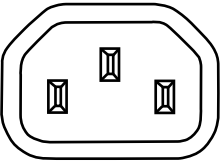
<b>IEC Power Outlets - High Current</b>		
PX0591	Sheet J Flange Mount	94
PX0592	Sheet J Snap Fit	94
PX0594	Sheet I Cable Connector	94
Accessories		95-97

## IEC60320 MAINS INLETS AND OUTLETS - PANEL MOUNTING

IEC60 320-1	Sheet No.	No. Pins	Current Rating	Flange Fixing	Snap fit	Fused Flange	Fused Snap fit	Filtered	Fused Filtered
	C14	3	10A, 250V a.c.	PX0579 PX0580 PX0580/PC PX0580/PC/12132 PX0580/PC/7 PX0580/PC/7LC	PX0575 PX0575/PC	PF0001 PF0001/PC PF0002 PF0030 PF0030/PC	PF0011 PF0011/PC PF0033	PS00 PS01	PS20 PS21 PS25 PS26
	C16	3	10A, 250V a.c.	PX0590	PX0595				
	C18	2	10A, 250V a.c.	PX0690	PX0691 PX0691/PC	PF0006 PF0007	PF0016		
	C20	3	16A, 250V a.c.	PX0596	PX0598				
IEC60 320-2-2	Sheet No.	No. Pins	Current Rating	Flange Fixing	Snap fit	Fused Flange	Fused Snap fit	Filtered	Fused Filtered
	F	3	10A, 250V a.c.	PX0675 PX0675/PC PX0675/PC/12599 PX0793 (Shuttered) PX0793/1 (Shuttered)	PX0695 PX0695/PC PX0783 (Shuttered) PX0716 PX0717 PX0718				
	H	2	10A, 250V a.c.	PX0705	PX0725				
	J	3	16A, 250V a.c.	PX0591	PX0592				

IEC60320 MAINS CONNECTORS & PLUG CONNECTORS - CABLE MOUNTING

IEC60 320-1	Sheet No.	No. Pins	Current Rating	Rewirable	Side Entry Rewirable
	C13	3	10A, 250V a.c.	PX0587 PX0588	PX0587/SE
	C15	3	10A, 250V a.c.	PX0597	
	C19	3	16A, 250V a.c.	PX0599	

IEC60 320-2-2	Sheet No.	No. Pins	Current Rating	Rewirable	Side Entry Rewirable
	E	3	10A, 250V a.c.	PX0686	PX0685 PX0686/SE



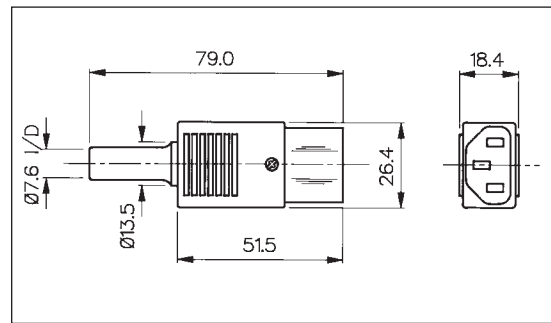
## EN60 320-1 Standard Sheet C13 Class I Rewirable Cold Condition

### STRAIGHT FEMALE CONNECTOR



PX0587

- Cable Mounting
- Rewirable
- Screw Terminals
- 10A, 250V a.c.

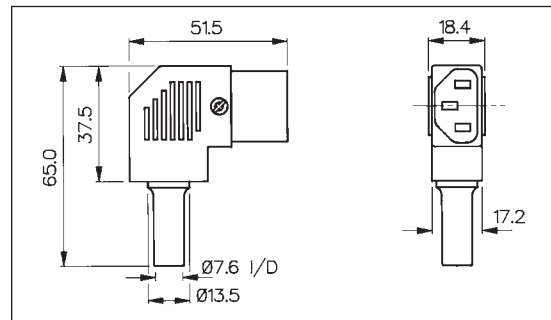


### SIDE ENTRY FEMALE CONNECTOR

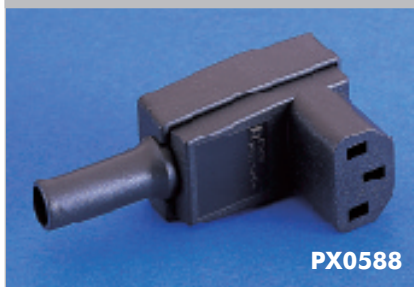


PX0587/SE

- Cable Mounting
- Rewirable
- Screw Terminals
- 10A, 250V a.c.

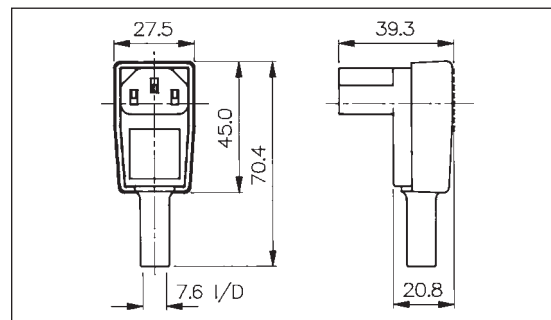


### ANGLED FEMALE CONNECTOR



PX0588

- Cable Mounting
- Rewirable
- Screw Terminals
- 10A, 250V a.c.



Specification	PX0587/Col	PX0587/SE/Col	PX0588
Terminations:	Screw Terminals	Screw Terminals	Screw Terminals
Colours:	No suffix (Black), /WH (White), /GY (Grey)	No suffix (Black), /WH (White), /GY (Grey)	-
Max. Rating:	10A, 250V a.c.	10A, 250V a.c.	10A, 250V a.c.
Contact Resistance:	<10mΩ	<10mΩ	<10mΩ
Insulation Resistance:	>10 <sup>3</sup> MΩ	>10 <sup>3</sup> MΩ	>10 <sup>3</sup> MΩ
A.C. Breakdown:	Pole-Pole 4.5kV. (Poles-Accessible) Parts 4kV	Pole-Pole 4.5kV. (Poles-Accessible) Parts 4kV	Pole-Pole 5kV. (Poles-Accessible) Parts 3.5kV
Operating Temp. Range:	-40°C to +70°C	-40°C to +70°C	-40°C to +70°C
Withdrawal Force:	10N (Min.) 50N (Max.)	10N (Min.) 50N (Max.)	10N (Min.) 50N (Max.)
Mouldings:	Nylon, Flammability Rating UL94V-0	Nylon, Flammability Rating UL94V-0	Nylon, Flammability Rating UL94V-0
Contacts:	Brass, Clean	Brass, Clean	Brass, Clean
Approvals:			
Accessories / Notes:			
Mating Inlets:	PX0575, PX0579, PX0580, PF0001, PF0011, PF0030, PF0033	PX0575, PX0579, PX0580, PF0001, PF0011, PF0030, PF0033	PX0575, PX0579, PX0580, PF0001, PF0011, PF0030, PF0033
<b>RoHS</b>	Compliant	Compliant	Compliant

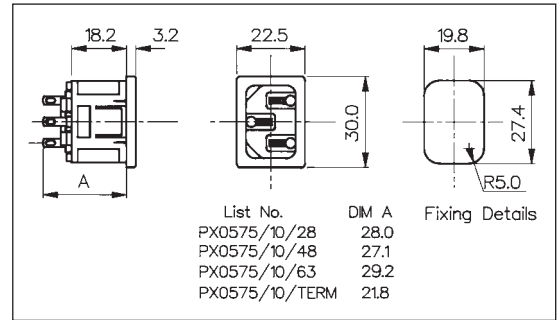
EN60 320-1 Standard Sheet C14 Class I Cold Condition

**SNAP FIT TO PANEL INLET**



**PX0575/10/28**

- Fits Panel Sizes 1, 1.5, 2.0 or 3.0mm
- 2.8, 4.8, 6.3mm Tabs or Screw Terminals
- 10A, 250V a.c. (15A, 250V a.c. UL & CSA)

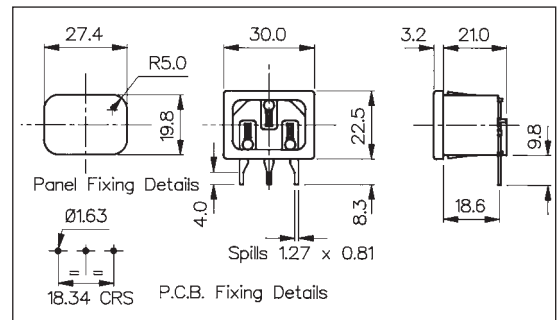


**PC SNAP FIT TO PANEL INLET**



**PX0575/10/PC**

- Fits Panel Sizes 1, 1.5, 2.0 or 3.0mm
- PC Spills
- 10A, 250V a.c. (15A, 250V a.c. UL & CSA)



Specification	PX0575/Panel/Term/Col	PX0575/Panel/PC/Col
Fixing(Panel):	Snap fit, /10 (1mm), /15 (1.5mm), /20 (2mm), /30 (3mm)	Snap fit, /10 (1mm), /15 (1.5mm), /20 (2mm), /30 (3mm)
Terminations:	/28 (2.8mm solder), /48 (4.8mm tab) /63 (6.3mm tab), /TERM (screw)	P.C. Spills
Colours:	No suffix (Black), /WH (White), /GY (Grey)	No suffix (Black), /WH (White), /GY (Grey)
Max. Rating:	10A, 250V a.c. (UL & CSA 15A, 250V a.c.)	10A, 250V a.c. (UL & CSA 15A, 250V a.c.)
Contact Resistance:	< 10mΩ	< 10mΩ
Insulation Resistance:	> 10 <sup>3</sup> MΩ	> 10 <sup>3</sup> MΩ
A.C. Breakdown:	Pole-Pole 5kV. Poles-Panel 5.4kV	Pole-Pole 5kV. Poles-Panel 5.4kV
Operating Temp. Range:	-40°C to +70°C	-40°C to +70°C
Max. Pin Temp.:	+70°C	+70°C
Mouldings:	Nylon, Flammability Rating UL94V-0	Nylon, Flammability Rating UL94V-0
Contacts:	Brass: Pins, Nickel Plated. Tabs, Tin Plated, Screw Terms, Nickel Plated	Brass: Pins, Nickel Plated. Spills, Tin Plated
Approvals:		
Accessories / Notes:	P.No. 11328 (See Page 97)	Standard without cover. With cover add /C to P.No.
Mating Connectors:	PX0587, PX0587/SE, PX0588	PX0587, PX0587/SE, PX0588
<b>RoHS</b>	Compliant	Compliant

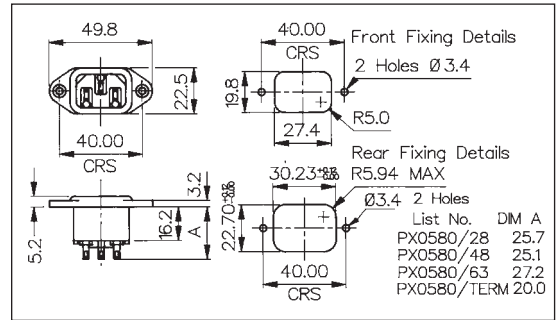
EN60 320-1 Standard Sheet C14 Class I Cold Condition

FLANGE MOUNT INLET



PX0580/28

- 2.8, 4.8, 6.3mm Tabs or Screw Terminals
- 10A, 250V a.c. (15A, 250V a.c. UL & CSA)

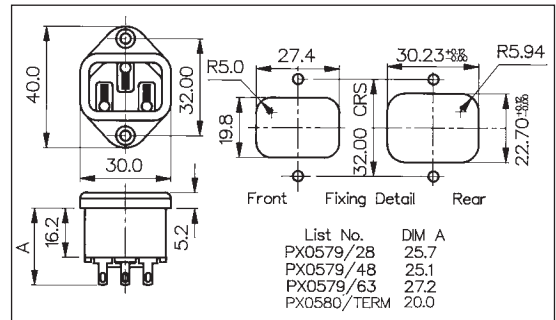


VERTICAL FLANGE MOUNT INLET



PX0579/28

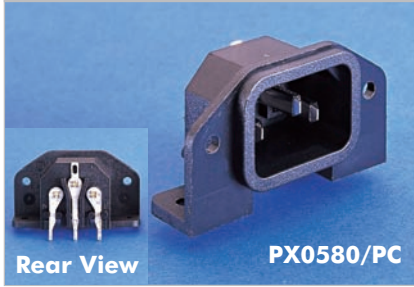
- 2.8, 4.8, 6.3mm Tabs or Screw Terminals
- 10A, 250V a.c. (15A, 250V a.c. UL & CSA)



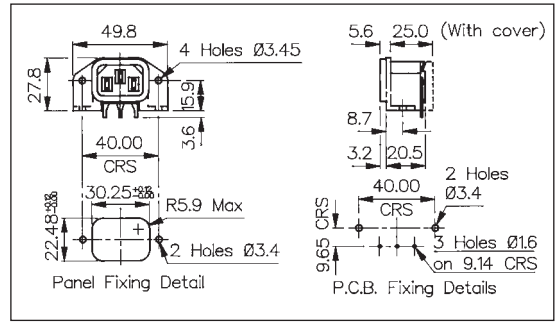
Specification	PX0580/Term/Col	PX0579/Term/Col
Fixing:	Flange	Flange
Terminations:	/28 (2.8mm solder), /48 (4.8mm tab) /63 (6.3mm tab), /TERM (screw)	/28 (2.8mm solder), /48 (4.8mm tab) /63 (6.3mm tab)
Colours:	No suffix (Black), /WH (White), /GY (Grey)	No suffix (Black), /WH (White), /GY (Grey)
Max. Rating:	10A, 250V a.c. (UL & CSA 15A, 250V a.c.)	10A, 250V a.c. (UL & CSA 15A, 250V a.c.)
Contact Resistance:	< 10mΩ	< 10mΩ
Insulation Resistance:	> 10 <sup>3</sup> MΩ	> 10 <sup>3</sup> MΩ
A.C. Breakdown:	Pole-Pole 5kV. Poles-Panel 10kV	Pole-Pole 5kV. Poles-Panel 10kV
Operating Temp. Range:	-40°C to +70°C	-40°C to +70°C
Max. Pin Temp.:	+70°C	+70°C
Mouldings:	Nylon, Flammability Rating UL94V-0	Nylon, Flammability Rating UL94V-0
Contacts:	Brass: Pins, Nickel Plated. Tabs, Tin Plated, Screw Terms, Nickel Plated	Brass: Pins, Nickel Plated. Tabs, Tin Plated
Approvals:		
Accessories / Notes:	P.No. 11328, KT0006 (PX0587 only) (See Pages 95 and 97)	P.No. 11328 (See Page 97)
Mating Connectors:	PX0587, PX0587/SE, PX0588	PX0587, PX0587/SE, PX0588
<b>RoHS</b>	Compliant	Compliant

EN60 320-1 Standard Sheet C14 Class I Cold Condition

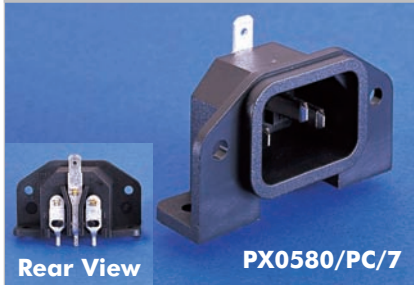
**PC FLANGE REAR MOUNT INLET**



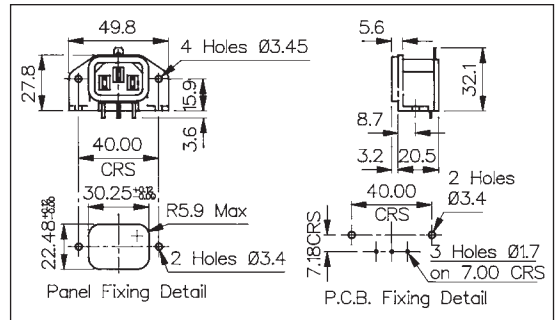
- With or Without Rear Cover
- PC Spills
- 10A, 250V a.c. (15A, 250V a.c. UL & CSA)



**PC FLANGE REAR MOUNT INLET**



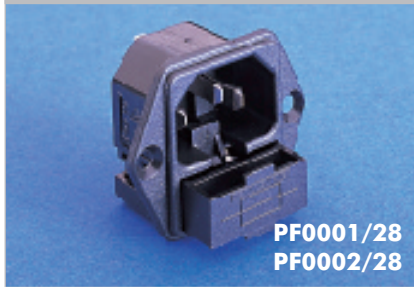
- With or Without Cover
- PC Spills
- 4.8mm Top Tab (earth)
- 10A, 250V a.c. (15A, 250V a.c. UL & CSA)



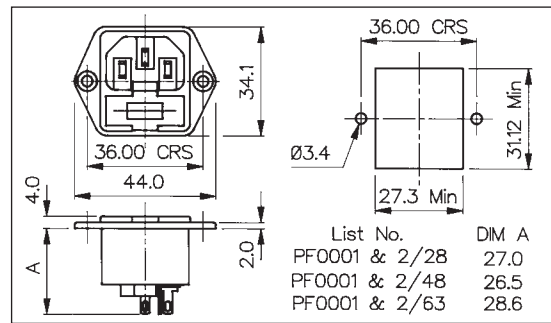
Specification	PX0580/PC/Col	PX0580/PC/7/Col
Fixing:	P.C.B./Flange	P.C.B./Flange
Terminations:	P.C. Spills	P.C. Spills
Colours:	No suffix (Black), /WH (White), /GY (Grey)	No suffix (Black), /WH (White), /GY (Grey)
Max. Rating:	10A, 250V a.c. (UL & CSA 15A, 250V a.c.)	10A, 250V a.c. (UL & CSA 15A, 250V a.c.)
Contact Resistance:	< 10mΩ	< 10mΩ
Insulation Resistance:	> 10 <sup>3</sup> MΩ	> 10 <sup>3</sup> MΩ
A.C. Breakdown:	Pole-Pole 5.4kV. Poles-Panel 10kV	Pole-Pole 4kV. Poles-Panel 6kV
Operating Temp. Range:	-40°C to +70°C	-40°C to +70°C
Max. Pin Temp.:	+70°C	+70°C
Mouldings:	Nylon, Flammability Rating UL94V-0	Nylon, Flammability Rating UL94V-0
Contacts:	Brass: Pins, Nickel Plated. Spills, Tin Plated	Brass: Pins, Nickel Plated. Spills, Tin Plated
Approvals:		
Accessories / Notes:	Standard without cover. With cover add /12132 to P.No.	Standard with cover. Without cover add LC to P.No.
Mating Connectors:	PX0587, PX0587/SE, PX0588	PX0587, PX0587/SE, PX0588
<b>RoHS</b>	Compliant	Compliant

## EN60 320-1 Standard Sheet C14 Class I Cold Condition (Fused)

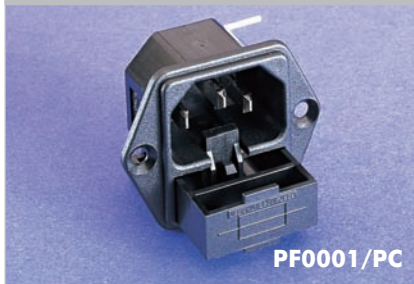
### FLANGE MOUNT FUSED INLET



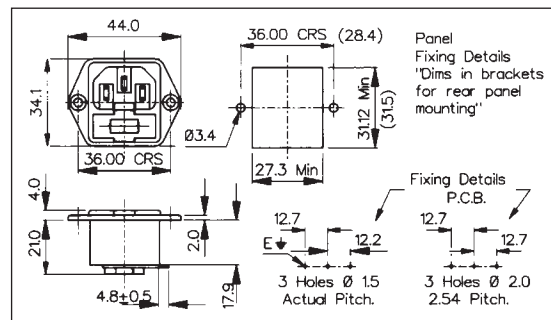
- Single Fuse 5 x 20mm
- Spare Fuse Facility
- 2.8, 4.8 or 6.3mm Tabs
- 10A, 250V a.c.
- Fuse Contacts Isolated (PF0002)



### PC FLANGE MOUNT FUSED INLET



- Single Fuse 5 x 20mm
- Spare Fuse Facility
- PC Spills - Horizontal
- 10A, 250V a.c.



Specification	PF0001/Term/Col	PF0001/PC/Col	PF0002/Term/Col
Fixing:	Flange	P.C.B./Flange	Flange
Terminations:	/28 (2.8mm solder), /48 (4.8mm tab) /63 (6.3mm tab)	P.C. Spills	/28 (2.8mm solder), /48 (4.8mm tab) /63 (6.3mm tab)
Colours:	No suffix (Black), /WH (White), /GY (Grey)	No suffix (Black), /WH (White), /GY (Grey)	No suffix (Black), /WH (White), /GY (Grey)
Max. Rating:	10A, 250V a.c.	10A, 250V a.c.	10A, 250V a.c.
Max. Fuse Rating:	2.5W/10A, 250V a.c.	2.5W/10A, 250V a.c.	2.5W/10A, 250V a.c.
Contact Resistance:	<10mΩ (<15mΩ including Fuseholder)	<10mΩ (<15mΩ including Fuseholder)	<10mΩ
Insulation Resistance:	>10 <sup>3</sup> MΩ	>10 <sup>3</sup> MΩ	>10 <sup>3</sup> MΩ
A.C. Breakdown:	Pole-Pole 5.5kV. Poles-Panel 4kV	Pole-Pole 5.5kV. Poles-Panel 4kV	Pole-Pole 5.5kV. Poles-Panel 4kV
Operating Temp. Range:	-40°C to +70°C	-40°C to +70°C	-40°C to +70°C
Max. Pin Temp.:	+70°C	+70°C	+70°C
Mouldings:	Nylon, Flammability Rating UL94V-0	Nylon, Flammability Rating UL94V-0	Nylon, Flammability Rating UL94V-0
Contacts:	Brass: Pins, Nickel Plated. Tabs, Tin Plated	Brass: Pins, Nickel Plated. Tabs, Tin Plated	Brass: Pins, Nickel Plated. Tabs, Tin Plated
Approvals:			
Accessories / Notes:	P.No. 11987, KT0009 (See Pages 95 & 97)	KT0009 (front of panel mounting only) (See Page 95)	P.No. 11987, KT0009 (See Pages 95 & 97) (Note: Fuse contact isolated)
Mating Connectors:	PX0587, PX0587/SE, PX0588	PX0587, PX0587/SE, PX0588	PX0587, PX0587/SE, PX0588
<b>RoHS</b>	Compliant	Compliant	Compliant



**EN60 320-1 Standard Sheet C14 Class I Cold Condition (Fused)**

**SNAP FIT TO PANEL FUSED INLET**



**PF0011/10/28**

- Single Fuse 5 x 20mm
- Spare Fuse Facility
- Panel Sizes 1, 1.5, 2.0 or 3.0mm
- 2.8, 4.8 or 6.3mm Tabs
- 10A, 250V a.c.



**PC SNAP FIT TO PANEL FUSED INLET**



**PF0011/10/PC**

- Single Fuse 5 x 20mm
- Spare Fuse Facility
- Panel Sizes 1, 1.5, 2.0 or 3.0mm
- PC Spills
- 10A, 250V a.c.



Specification	PF0011/Panel/Term/Col	PF0011/Panel/PC/Col
Fixing(Panel):	Snap fit, /10 (1mm), /15 (1.5mm), /20 (2mm), /30 (3mm)	Snap fit, /10 (1mm), /15 (1.5mm), /20 (2mm), /30 (3mm)
Terminations:	/28 (2.8mm solder), /48 (4.8mm tab), /63 (6.3mm tab)	P.C. Spills
Colours:	No suffix (Black), /WH (White), /GY (Grey)	No suffix (Black), /WH (White), /GY (Grey)
Max. Rating:	10A, 250V a.c.	10A, 250V a.c.
Max. Fuse Rating:	2.5W/10A, 250V a.c.	2.5W/10A, 250V a.c.
Contact Resistance:	<10mΩ (<15mΩ including Fuseholder)	<10mΩ (<15mΩ including Fuseholder)
Insulation Resistance:	>10 <sup>3</sup> MΩ	>10 <sup>3</sup> MΩ
A.C. Breakdown:	Pole-Pole 5.5kV. Poles-Panel 4kV	Pole-Pole 5.5kV. Poles-Panel 4kV
Operating Temp. Range:	-40°C to +70°C	-40°C to +70°C
Max. Pin Temp.:	+70°C	+70°C
Mouldings:	Nylon, Flammability Rating UL94V-0	Nylon, Flammability Rating UL94V-0
Contacts:	Brass: Pins, Nickel Plated. Tabs, Tin Plated	Brass: Pins, Nickel Plated. Spills, Tin Plated
Approvals:		
Accessories / Notes:	P.No. 11987 (See Page 97)	
Mating Connectors:	PX0587, PX0587/SE, PX0588	PX0587, PX0587/SE, PX0588
<b>RoHS</b>	Compliant	Compliant

## EN60 320-1 Standard Sheet C14 Class I Cold Condition (Fused, Twin)

### FLANGE MOUNT FUSED INLET



**PF0030/28**

- Twin Fused 5 x 20mm
- 2.8, 4.8 or 6.3mm Tabs
- 10A, 250V a.c.



### PC FLANGE MOUNT FUSED INLET



**PF0030/PC**

- Twin Fused 5 x 20mm
- PC Spills
- 10A, 250V a.c.



### SNAP FIT TO PANEL FUSED INLET



**PF0033/10/28**

- Twin Fused 5 x 20mm
- Fits Panel Sizes 1.0, 1.5, 2.0 or 3.0mm
- 2.8, 4.8 or 6.3mm Tabs
- 10A, 250V a.c.



Specification	PF0030/Termination	PF0030/PC	PF0033/Panel/Termination
Fixing (Panel):	Flange	P.C.B./Flange	Snap fit, /10 (1mm), /15 (1.5mm), /20 (2mm), /30 (3mm)
Terminations:	/28 (2.8mm solder), /48 (4.8mm tab) /63 (6.3mm tab)	P.C. Spills	/28 (2.8mm solder), /48 (4.8mm tab) /63 (6.3mm tab)
Max. Rating:	10A, 250V a.c.	10A, 250V a.c.	10A, 250V a.c.
Contact Resistance:	<15mΩ (per pole)	<15mΩ (per pole)	<15mΩ (per pole)
Insulation Resistance:	>10 <sup>4</sup> MΩ	>10 <sup>4</sup> MΩ	>10 <sup>4</sup> MΩ
A.C. Breakdown:	Pole-Pole 6kV. Poles-Panel 5kV	Pole-Pole 6kV. Poles-Panel 5kV	Pole-Pole 6kV. Poles-Panel 5kV
Max. Dissipation Per Fuse:	2.5W	2.5W	2.5W
Operating Temp. Range:	-20°C to +70°C	-20°C to +70°C	-20°C to +70°C
Max. Pin Temp.:	+70°C	+70°C	+70°C
Mouldings:	Nylon, Flammability Rating UL94V-0	Nylon, Flammability Rating UL94V-0	Nylon, Flammability Rating UL94V-0
Contacts:	Brass: Pins, Nickel Plated. Tabs, Tin Plated	Brass: Pins, Nickel Plated. Tabs, Tin Plated	Brass: Pins, Nickel Plated. Tabs, Tin Plated
Approvals:			
Accessories / Notes:	KT0009 (See Page 95)		
Mating Connectors:	PX0587, PX0587/SE, PX0588	PX0587, PX0587/SE, PX0588	PX0587, PX0587/SE, PX0588
<b>RoHS</b>	Compliant	Compliant	Compliant

EN60 320-1 Standard Sheet C15 Class I & Standard Sheet C16 Class I Hot Condition

**STRAIGHT FEMALE CONNECTOR**



**PX0597**

- Cable Mounting
- Hot Condition
- Mates with PX0590 and PX0595
- Screw Terminals
- 10A, 250V a.c.



**FLANGE MOUNT INLET**



**PX0590/28**

- Hot Condition
- 2.8 or 6.3mm Tabs
- 10A, 250V a.c. (15A, 250V a.c. UL & CSA)



**SNAP FIT TO PANEL INLET**



**PX0595/10/28**

- Hot Condition
- Panel Sizes 1, 1.5, 2.0 or 3.0mm
- 2.8, 4.8, 6.3mm Tabs or Screw Terminals
- 10A, 250V a.c. (15A, 250V a.c. UL & CSA)



Specification	PX0597/Col	PX0590/Term/Col	PX0595/Panel/Term/Col
Fixing (Panel):		Flange	Snap fit, /10 (1mm), /15 (1.5mm), /20 (2mm), /30 (3mm)
Terminations:	Screw Terminals	/28 (2.8mm solder), /63 (6.3mm tab)	/28 (2.8mm solder), /48 (4.8mm tab), /63 (6.3mm tab), /TERM (screw)
Colours:	No suffix (Black), /WH (White), /GY (Grey)	No suffix (Black), /WH (White), /GY (Grey)	No suffix (Black), /WH (White), /GY (Grey)
Max. Rating:	10A, 250V a.c.	10A, 250V a.c. (UL & CSA 15A, 250V a.c.)	10A, 250V a.c. (UL & CSA 15A, 250V a.c.)
Contact Resistance:	<10mΩ	<10mΩ	<10mΩ
Insulation Resistance:	>10 <sup>3</sup> MΩ	>10 <sup>3</sup> MΩ	>10 <sup>3</sup> MΩ
A.C. Breakdown:	Pole-Pole 4.5kV. Poles-Accessible Parts 4kV	Pole-Pole 5kV. Poles-Panel 10kV	Pole-Pole 5kV. Poles-Panel 5.4kV
Operating Temp. Range:	-40°C to +70°C	-40°C to +70°C	-40°C to +70°C
Max. Pin Temp.:		+120°C	+120°C
Withdrawal Force:	10N (Min.) 50N (Max.)		
Mouldings:	Nylon, Flammability Rating UL94V-0	Nylon, Flammability Rating UL94V-0	Nylon, Flammability Rating UL94V-0
Contacts:	Brass, Clean	Brass, Pins Nickel Plated. Tabs, Tin Plated	Brass, Pins Nickel Plated. Tabs, Tin Plated
Approvals:			
Accessories/Notes:		PNo. 11328, KT0006 (See Pages 95 & 97)	PNo. 11328 (See Page 97)
Mating Connectors:	PX0590, PX0595	PX0597	PX0597
<b>RoHS</b>	Compliant	Compliant	Compliant

## EN60 320-1 Standard Sheet C18 Class II Cold Condition

### FLANGE MOUNT INLET



PX0690/28

- Two Pin Class II (No Earth Pin)
- 2.8, 4.8, 6.3mm Tabs or Screw Terminals
- 10A, 250V a.c. (15A, 250V a.c. UL & CSA)



### SNAP FIT TO PANEL INLET



PX0691/10/28

- Two Pin Class II (No Earth Pin)
- Panel Sizes 1, 1.5, 2.0 or 3.0mm
- 2.8, 4.8, 6.3mm Tabs or Screw Terminals
- 10A, 250V a.c. (15A, 250V a.c. UL & CSA)



### PC SNAP FIT TO PANEL INLET



PX0691/10/PC

- Two Pin Class II (No Earth Pin)
- Panel Sizes 1, 1.5, 2.0 or 3.0mm
- PC Spills
- 10A, 250V a.c. (15A, 250V a.c. UL & CSA)



Specification	PX0690/Term/Col	PX0691/Panel/Term/Col	PX0691/Panel/PC/Col
Fixing(Panel):	Flange	Snap fit, /10 (1mm), /15 (1.5mm), /20 (2mm), /30 (3mm)	Snap fit, /10 (1mm), /15 (1.5mm), /20 (2mm), /30 (3mm)
Terminations:	/28 (2.8mm solder), /48 (4.8mm tab) /63 (6.3mm tab), /TERM (screw)	/28 (2.8mm solder), /48 (4.8mm tab) /63 (6.3mm tab), /TERM (screw)	P.C. Spills
Colours:	No suffix (Black), /WH (White), /GY (Grey)	No suffix (Black), /WH (White), /GY (Grey)	No suffix (Black), /WH (White), /GY (Grey)
Max. Rating:	10A, 250V a.c. (UL & CSA 15A, 250V a.c.)	10A, 250V a.c. (UL & CSA 15A, 250V a.c.)	10A, 250V a.c. (UL & CSA 15A, 250V a.c.)
Contact Resistance:	<10m $\Omega$	<10m $\Omega$	<10m $\Omega$
Insulation Resistance:	>10 <sup>3</sup> M $\Omega$	>10 <sup>3</sup> M $\Omega$	>10 <sup>3</sup> M $\Omega$
A.C. Breakdown:	Pole-Pole 5kV. Poles-Panel 10kV	Pole-Pole 5kV. Poles-Panel 5.4kV	Pole-Pole 5kV. Poles-Panel 5.4kV
Operating Temp. Range:	-40°C to +70°C	-40°C to +70°C	-40°C to +70°C
Max. Pin Temp.:	+70°C	+70°C	+70°C
Mouldings:	Nylon, Flammability Rating UL94V-0	Nylon, Flammability Rating UL94V-0	Nylon, Flammability Rating UL94V-0
Contacts:	Brass: Pins, Nickel Plated. Tabs, Tin Plated, Screw Terms, Nickel Plated	Brass: Pins, Nickel Plated. Tabs, Tin Plated, Screw Terms, Nickel Plated	Brass: Pins, Nickel Plated. Spills, Tin Plated
Approvals:			
Accessories / Notes:	P.No. 11328 (See Page 97)	P.No. 11328 (See Page 97)	Standard without cover. With cover add /C to P.No.
Mating Connectors:			



Compliant

Compliant

Compliant



**EN60 320-1 Standard Sheet C18 Class II Cold Condition (Fused)**

**FLANGE MOUNT FUSED INLET**



**PF0006/28**

- Single Fuse 5 x 20mm
- Two Pin Class II (No Earth Pin)
- 2.8, 4.8 or 6.3mm Tabs
- 10A, 250V a.c.



**FLANGE MOUNT FUSED INLET**



**PF0007/28**

- Single Fuse 5 x 20mm (Fuse Contacts Isolated)
- Two Pin Class II (No Earth Pin)
- 2.8, 4.8 or 6.3mm Tabs
- 10A, 250V a.c.



**SNAP FIT TO PANEL FUSED INLET**



**PF0016/10/28**

- Single Fuse 5 x 20mm
- Two Pin Class II (No Earth Pin)
- Fits Panel Sizes 1.0, 1.5, 2.0 or 3.0mm
- 2.8, 4.8 or 6.3mm Tabs
- 10A, 250V a.c.



Specification	PF0006/Term/Col	PF0007/Term/Col	PF0016/Panel/Term/Col
Fixing (Panel):	Flange	Flange	Snap fit, /10 (1mm), /15 (1.5mm), /20 (2mm), /30 (3mm)
Terminations:	/28 (2.8mm solder), /48 (4.8mm tab) /63 (6.3mm tab)	/28 (2.8mm solder), /48 (4.8mm tab) /63 (6.3mm tab)	/28 (2.8mm solder), /48 (4.8mm tab) /63 (6.3mm tab)
Colours:	No suffix (Black), /WH (White), /GY (Grey)	No suffix (Black), /WH (White), /GY (Grey)	No suffix (Black), /WH (White), /GY (Grey)
Max. Rating:	10A, 250V a.c.	10A, 250V a.c.	10A, 250V a.c.
Contact Resistance:	<10mΩ (<15mΩ including Fuseholder)	<10mΩ	<10mΩ (<15mΩ including Fuseholder)
Insulation Resistance:	>10 <sup>3</sup> MΩ	>10 <sup>3</sup> MΩ	>10 <sup>3</sup> MΩ
A.C. Breakdown:	Pole-Pole 5.5kV. Poles-Panel 4kV	Pole-Pole 5.5kV. Poles-Panel 4kV	Pole-Pole 5.5kV. Poles-Panel 4kV
Operating Temp. Range:	-40°C to +70°C	-40°C to +70°C	-40°C to +70°C
Max. Pin Temp.:	+70°C	+70°C	+70°C
Mouldings:	Nylon, Flammability Rating UL94V-0	Nylon, Flammability Rating UL94V-0	Nylon, Flammability Rating UL94V-0
Contacts:	Brass: Pins, Nickel Plated. Tabs, Tin Plated	Brass: Pins, Nickel Plated. Tabs, Tin Plated	Brass: Pins, Nickel Plated. Tabs, Tin Plated
Approvals:			
Accessories / Notes:	P.No. 11987 (See Page 97)	P.No. 11987 (See Page 97) (Note: Fuse contacts isolated)	P.No. 11987 (See Page 97)
Mating Connectors:			
	Compliant	Compliant	Compliant

IEC CONNECTORS



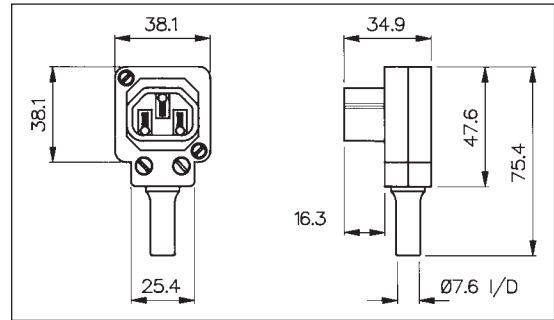
## EN60 320-2-2 Standard Sheet E Class I Rewirable

### ANGLED MALE CONNECTOR



PX0685

- Cable Mounting
- Four Position Cable Entry
- Rewirable
- Screw Terminals
- 10A, 250V a.c.

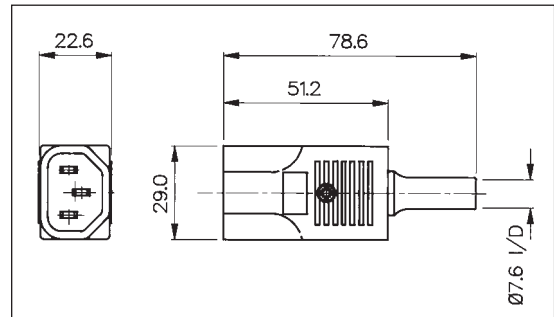


### STRAIGHT MALE CONNECTOR



PX0686

- Cable Mounting
- Rewirable
- Screw Terminals
- 10A, 250V a.c.

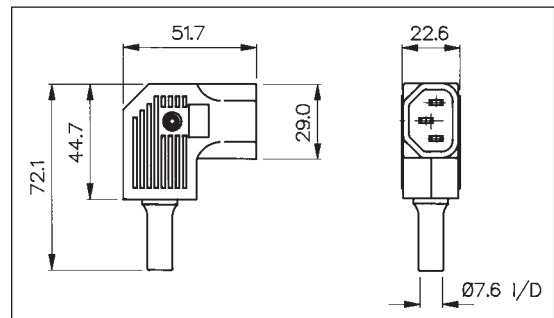


### SIDE ENTRY MALE CONNECTOR



PX0686/SE

- Cable Mounting
- Rewirable
- Screw Terminals
- 10A, 250V a.c.



IEC CONNECTORS

Specification	PX0685/Col	PX0686/Col	PX0686/SE/Col
Terminations:	Screw Terminals	Screw Terminals	Screw Terminals
Max. Rating:	10A, 250V a.c.	10A, 250V a.c.	10A, 250V a.c.
Colours:	No suffix (Black), /WH (White), /GY (Grey)	No suffix (Black), /WH (White), /GY (Grey)	No suffix (Black), /WH (White), /GY (Grey)
Contact Resistance:	<10mΩ	<10mΩ	<10mΩ
Insulation Resistance:	>10 <sup>4</sup> MΩ	>10 <sup>4</sup> MΩ	>10 <sup>4</sup> MΩ
A.C. Breakdown:	Pole-Pole 5.2kV. Poles-Accessible Parts 6kV	Pole-Pole 5kV. Poles-Accessible Parts 5kV	Pole-Pole 5kV. Poles-Accessible Parts 5kV
Operating Temp. Range:	-40°C to +70°C	-40°C to +70°C	-40°C to +70°C
Withdrawal Force:	10N (Min.) 50N (Max.)	10N (Min.) 50N (Max.)	10N (Min.) 50N (Max.)
Mouldings:	Nylon, Flammability Rating UL94V-0	Nylon, Flammability Rating UL94V-0	Nylon, Flammability Rating UL94V-0
Contacts:	Brass, Nickel Plated.	Brass, Nickel Plated.	Brass, Nickel Plated.
Approvals:			
Accessories / Notes:	Unique octagon module allows choice of 4 cable positions		
Mating Outlets:	PX0675, PX0695, PX0578, PX0783, PX0793, PX0793/1	PX0675, PX0695, PX0578, PX0783, PX0793, PX0793/1, PX0716, PX0717 & PX0718	PX0675, PX0695, PX0578, PX0783, PX0793, PX0793/1, PX0716, PX0717 & PX0718
<b>RoHS</b>	Compliant	Compliant	Compliant

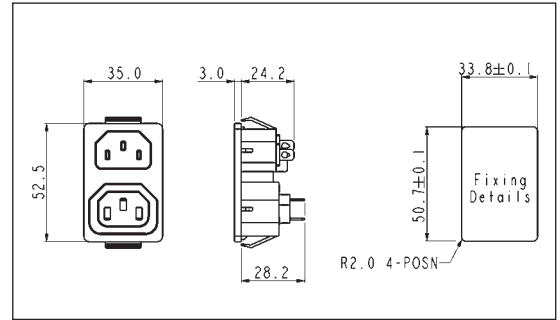
**EN60 320-1 Standard Sheet C14 Class I Cold Condition &  
EN60 320-2-2 Standard Sheet F Class I Cold Condition**

**SNAP FIT TO PANEL INLET/OUTLET**



**PX0716/48**

- Inlet/Outlet combination
- Panel Size 1.2mm
- 4.8mm tabs
- 10A, 250V a.c.  
(15A, 250V a.c. UL & CSA)

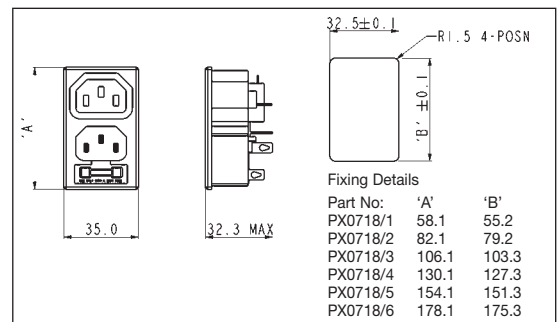


**SNAP FIT TO PANEL FUSED INLET/OUTLET**



**PX0718/x/xx/ST**

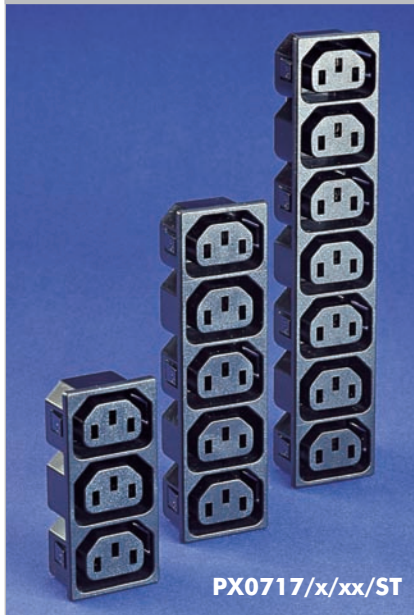
- Fused Inlet/Outlet combination
- 1-6 outlet versions
- Panel Size 1.5mm
- Terminals:  
inlet: 4.8mm tabs  
outlet: solder tags
- 10A, 250V a.c.  
(15A, 250V a.c. UL)
- All outlet terminals linked,  
common earth throughout



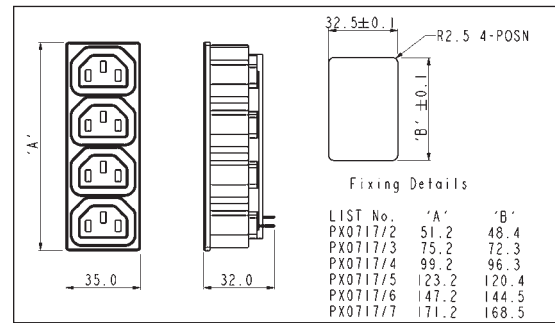
Specification	PX0716/Termination	PX0718/x/15/Termination
Fixing:	Snap fit 1.2mm accommodation	Snap fit 1.5mm accommodation
Terminations:	/48 (4.8mm tab)	/ST (outlet solder tag, inlet 4.8mm tab)
Max. Rating:	10A, 250V a.c. (UL 15A, 125V a.c.)	10A, 250V a.c. (UL 15A, 250V a.c.)
Insulation Resistance:	>100MΩ (500V d.c., 1 min.)	>100MΩ (500V d.c., 1 min.)
Dielectric Strength:	2kV (50Hz, 1 min.)	2kV (50Hz, 1 min.)
Operating Temp. Range:	-20°C to +70°C	-20°C to +70°C
Max. Pin Temp.:	+70°C	+70°C
Mouldings:	Nylon 66, Flammability Rating UL94V-0	Glass filled Thermoplastic, UL94V-0
Contacts:	Brass, Tin Plated	Brass, Tin Plated
Approvals:		
Accessories / Notes:	-	-
Mates with:	PX0587, PX0587/SE, PX0588, PX0686, PX0686/SE	PX0587, PX0587/SE, PX0588, PX0686, PX0686/SE
<b>RoHS</b>	Compliant	Compliant

## EN60 320-2-2 Standard Sheet F Class I

### SNAP FIT TO PANEL OUTLET



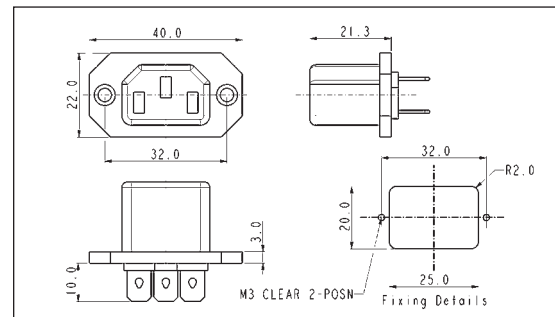
- Snap Fit to Panel
- Panel Size 1.5mm
- Solder Tabs
- 10A, 250V a.c. (15A, 250V a.c. UL)
- All Terminals Linked



### FLANGE MOUNT OUTLET



- Front of Panel Mount
- 6.3mm tabs
- 10A, 250V a.c. (15A, 250V a.c. UL)



Specification	PX0717/x/15/Termination	PX0578/Termination
Fixing:	Snap fit 1.5mm accommodation	Flange
Terminations:	/ST (solder)	/63 (6.3mm tab)
Max. Rating:	10A, 250V a.c. (UL 15A, 250v a.c.)	10A, 250V a.c. (UL 15A, 250v a.c.)
Insulation Resistance:	>100MΩ (500V d.c., 1 min.)	>100MΩ (500V d.c., 1 min.)
Dielectric Strength:	2kV (50Hz, 1 min.)	2kV (50Hz, 1 min.)
Operating Temp. Range:	-20°C to +70°C	-20°C to +70°C
Max. Pin Temp.:	-	-
Mouldings:	Glass filled Thermoplastic, UL94V-0	Glass filled Thermoplastic, UL94V-0
Contacts:	Brass, Tin plated	Brass, Tin plated
Approvals:		
Accessories / Notes:	-	-
Mates with:	PX0686, PX0686/SE	PX0686, PX0686/SE
	Compliant	Compliant

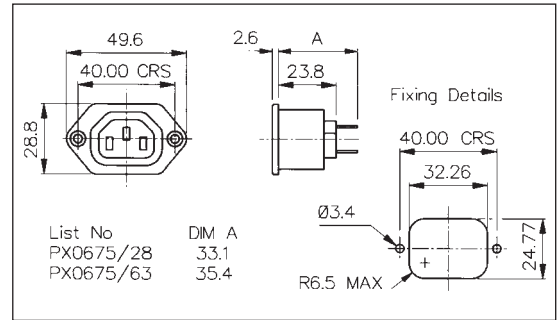
**EN60 320-2-2 Standard Sheet F Class I**

**FLANGE MOUNT OUTLET**



**PX0675/28**

- 2.8mm or 6.3mm Tabs
- 10A, 250V a.c.  
(15A, 250V a.c. UL & CSA)

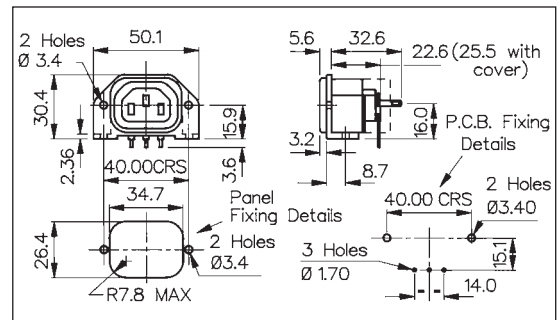


**PC FLANGE REAR MOUNT OUTLET**



**PX0675/PC**

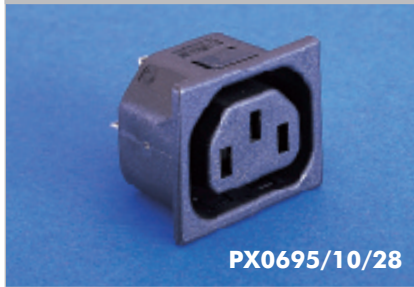
- PC Spills
- 10A, 250V a.c.  
(15A, 250V a.c. UL & CSA)



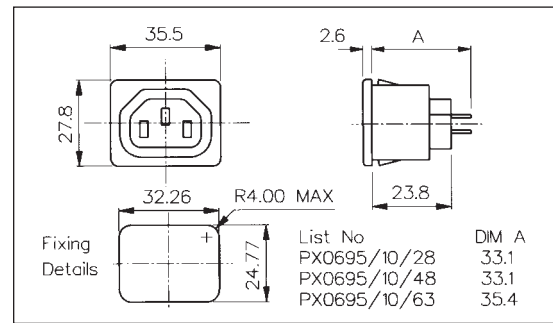
Specification	PX0675/Term/Col	PX0675/PC/Col
Fixing:	Flange	P.C.B./Flange
Terminations:	/28 (2.8mm solder), /48 (4.8mm tab), /63 (6.3mm tab)	P.C. Spills
Colours:	No suffix (Black), /WH (White), /GY (Grey)	No suffix (Black), /WH (White), /GY (Grey)
Max. Rating:	10A, 250V a.c. (UL & CSA 15A, 250V a.c.)	10A, 250V a.c. (UL & CSA 15A, 250V a.c.)
Contact Resistance:	< 10mΩ	< 10mΩ
Insulation Resistance:	> 10 <sup>4</sup> MΩ	> 10 <sup>4</sup> MΩ
A.C. Breakdown:	Pole-Pole 7kV. Poles-Panel 9kV	Pole-Pole 4kV. Poles-Panel 9kV
Operating Temp. Range:	-40°C to +70°C	-40°C to +70°C
Mouldings:	Nylon, Flammability Rating UL94V-0	Nylon, Flammability Rating UL94V-0
Contacts:	Brass, Tin Plated	Brass, Tin Plated
Approvals:	UR approval does not cover 4.8mm tab option	
Accessories / Notes:	P.No. 12075, KT0006, 14228 (See Pages 95-97)	Standard without cover. With cover add /12599 to P.No., 14228 (see page 96)
Mates with:	PX0685, PX0686, PX0686/SE	PX0685, PX0686, PX0686/SE
<b>RoHS</b>	Compliant	Compliant

## EN60 320-2-2 Standard Sheet F Class I

### SNAP FIT TO PANEL OUTLET



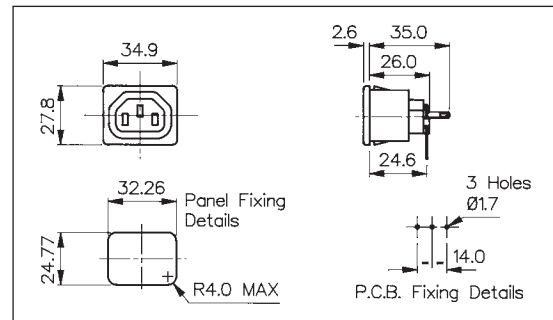
- Panel Sizes 1, 1.5, 2.0 or 3.0mm
- 2.8 or 6.3mm Tabs
- 10A, 250V a.c. (15A, 250V a.c. UL & CSA)



### PC SNAP FIT TO PANEL OUTLET



- Panel Sizes 1, 1.5, 2.0 or 3.0mm
- PC Spills
- 10A, 250V a.c. (15A, 250V a.c. UL & CSA)

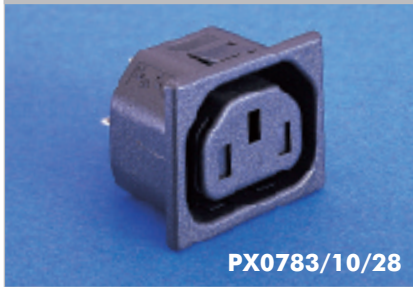


Specification	PX0695/Panel/Term/Col	PX0695/Panel/PC/Col
Fixing:	Snap fit, /10 (1mm), /15 (1.5mm), /20 (2mm), /30 (3mm)	Snap fit, /10 (1mm), /15 (1.5mm), /20 (2mm), /30 (3mm)
Terminations:	/28 (2.8mm solder), /63 (6.3mm tab)	P.C. Spills
Colours:	No suffix (Black), /WH (White), /GY (Grey)	No suffix (Black), /WH (White), /GY (Grey)
Max. Rating:	10A, 250V a.c. (UL & CSA 15A, 250V a.c.)	10A, 250V a.c. (UL & CSA 15A, 250V a.c.)
Contact Resistance:	< 10mΩ	< 10mΩ
Insulation Resistance:	> 10 <sup>4</sup> MΩ	> 10 <sup>4</sup> MΩ
A.C. Breakdown:	Pole-Pole 7kV. Poles-Panel 9kV	Pole-Pole 4kV. Poles-Panel 9kV
Operating Temp. Range:	-40°C to +70°C	-40°C to +70°C
Mouldings:	Nylon, Flammability Rating UL94V-0	Nylon, Flammability Rating UL94V-0
Contacts:	Brass, Tin Plated	Brass, Tin Plated
Approvals:		
Accessories / Notes:	P.No. 12075, 14228 (See Page 96-97)	P.No. 14228 (see page 96)
Mates with:	PX0685, PX0686, PX0686/SE,	PX0685, PX0686, PX0686/SE,
<b>RoHS</b>	Compliant	Compliant



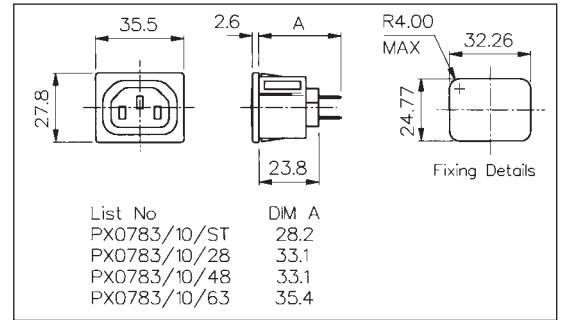
**EN60 320-2-2 Standard Sheet F Class I Shuttered**

**SNAP FIT TO PANEL OUTLET**



**PX0783/10/28**

- Shuttered
- Panel Sizes 1, 1.5, 2.0 or 3.0mm
- 2.8, 4.8 or 6.3mm Tabs
- 10A, 250V a.c. (15A, 250V a.c. UL & CSA)

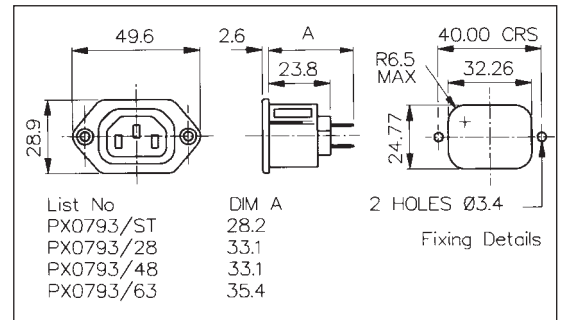


**FLANGE MOUNT OUTLET**



**PX0793/28**

- Shuttered
- 2.8, 4.8 or 6.3mm Tabs
- 10A, 250V a.c. (15A, 250V a.c. UL & CSA)

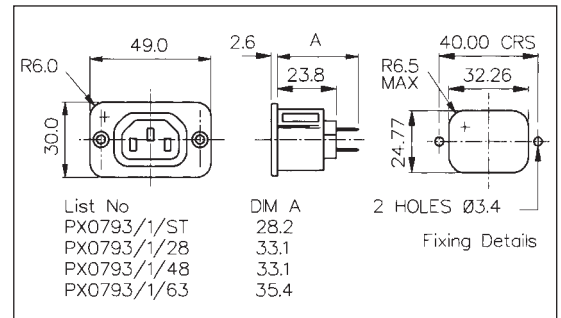


**RECTANGULAR FLANGE MOUNT OUTLET**



**PX0793/1/Termination**

- Shuttered
- Rectangular Flange Mount Outlet
- 2.8, 4.8 or 6.3mm Tabs
- 10A, 250V a.c. (15A, 250V a.c. UL & CSA)



Specification	PX0783/Panel/Term/Col	PX0793/Term/Col	PX0793/1/Term/Col
<b>Fixing:</b>	Snap fit, /10 (1mm), /15 (1.5mm), /20 (2mm), /30 (3mm)	Flange	Rectangular Flange
<b>Terminations:</b>	/28 (2.8mm solder), /48 (4.8mm tab) /63 (6.3mm tab), /ST (solder)	/28 (2.8mm solder), /48 (4.8mm tab) /63 (6.3mm tab), /ST (solder)	/28 (2.8mm solder), /48 (4.8mm tab) /63 (6.3mm tab), /ST (solder)
<b>Colours:</b>	No suffix (Black), /WH (White), /GY (Grey)	No suffix (Black), /WH (White), /GY (Grey)	No suffix (Black), /WH (White), /GY (Grey)
<b>Max. Rating:</b>	10A, 250V a.c. (UL & CSA 15A, 250V a.c.)	10A, 250V a.c. (UL & CSA 15A, 250V a.c.)	10A, 250V a.c. (UL & CSA 15A, 250V a.c.)
<b>Contact Resistance:</b>	<10mΩ	<10mΩ	<10mΩ
<b>Insulation Resistance:</b>	>10 <sup>4</sup> MΩ	>10 <sup>4</sup> MΩ	>10 <sup>4</sup> MΩ
<b>A.C. Breakdown:</b>	Pole-Pole 7kV. Poles-Panel 9kV	Pole-Pole 7kV. Poles-Panel 9kV	Pole-Pole 7kV. Poles-Panel 9kV
<b>Operating Temp. Range:</b>	-40°C to +70°C	-40°C to +70°C	-40°C to +70°C
<b>Mouldings:</b>	Nylon, Flammability Rating UL 94V-0	Nylon, Flammability Rating UL 94V-0	Nylon, Flammability Rating UL 94V-0
<b>Contacts:</b>	Brass, Tin Plated	Brass, Tin Plated	Brass, Tin Plated
<b>Approvals:</b>	UR approval does not cover 4.8mm tab option	UR approval does not cover 4.8mm tab option	UR approval only covers /ST version
<b>Accessories / Notes:</b>	P.No. 12075, 14228 (See Page 96-97)	P.No. 12075, KT0006, 14228 (See Pages 95-97)	P.No. 12075, KT0006, 14228 (See Pages 95-97)
<b>Mates with:</b>	PX0685, PX0686, PX0686/SE	PX0685, PX0686, PX0686/SE	PX0685, PX0686, PX0686/SE
<b>RoHS</b>	Compliant	Compliant	Compliant

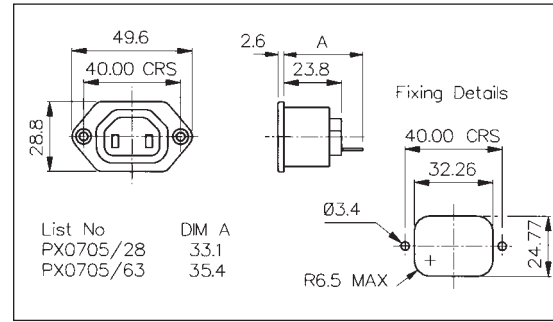
IEC CONNECTORS

EN60 320-2-2 Standard Sheet H Class II

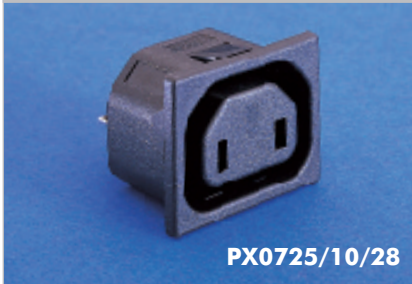
FLANGE MOUNT OUTLET



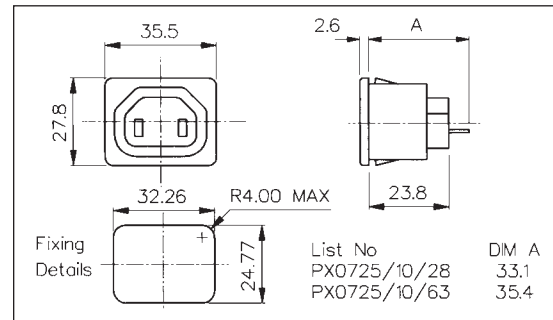
- Two Pin Class II (No Earth Pin)
- 2.8, 4.8 or 6.3mm Tabs
- 10A, 250V a.c. (15A, 250V a.c. UL & CSA)



SNAP FIT TO PANEL OUTLET



- Two Pin Class II (No Earth Pin)
- Panel Sizes 1, 1.5, 2.0 or 3.0mm
- 2.8, 4.8 or 6.3mm Tabs
- 10A, 250V a.c. (15A, 250V a.c. UL & CSA)



Specification	PX0705/Term/Col	PX0725/Panel/Term/Col
Fixing(Panel):	Flange	Snap fit, /10 (1mm), /15 (1.5mm), /20 (2mm), /30 (3mm)
Terminations:	/28 (2.8mm solder), /48 (4.8mm tab) /63 (6.3mm tab)	/28 (2.8mm solder), /48 (4.8mm tab) /63 (6.3mm tab)
Colours:	No suffix (Black), /WH (White), /GY (Grey)	No suffix (Black), /WH (White), /GY (Grey)
Max. Rating:	10A, 250V a.c. (UL & CSA 15A, 250V a.c.)	10A, 250V a.c. (UL & CSA 15A, 250V a.c.)
Contact Resistance:	<10mΩ	<10mΩ
Insulation Resistance:	>10 <sup>4</sup> MΩ	>10 <sup>4</sup> MΩ
A.C. Breakdown:	Pole-Pole 4kV. Poles-Panel 9kV	Pole-Pole 7kV. Poles-Panel 9kV
Operating Temp. Range:	-40°C to +70°C	-40°C to +70°C
Mouldings:	Nylon, Flammability Rating UL94V-0	Nylon, Flammability Rating UL94V-0
Contacts:	Brass, Tin Plated	Brass, Tin Plated
Approvals:	UR approval does not cover 4.8mm tab option	UR approval does not cover 4.8mm tab option
Accessories / Notes:	P.No. 12075 (See Page 97)	P.No. 12075 (See Page 97)
<b>RoHS</b>	Compliant	Compliant

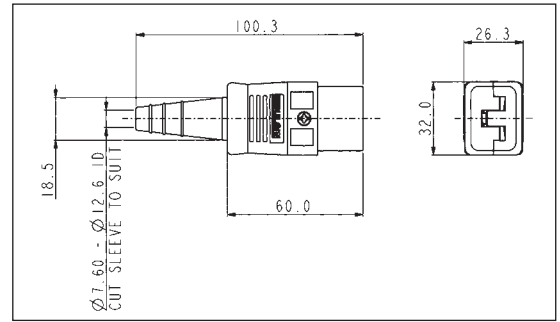
**EN60 320-1 Standard Sheet C19 Class I & Standard Sheet C20 Class I Cold Condition**

**C19 STRAIGHT FEMALE CABLE CONNECTOR**



**PX0599**

- Rewirable Screw Terminals
- 16A, 250V a.c.  
(20A, 250V a.c. UL and CSA)
- Wire Sizes (max);  
3 x 2.5mm<sup>2</sup>, 3 x 12AWG
- Overall cable diameter up to 12mm

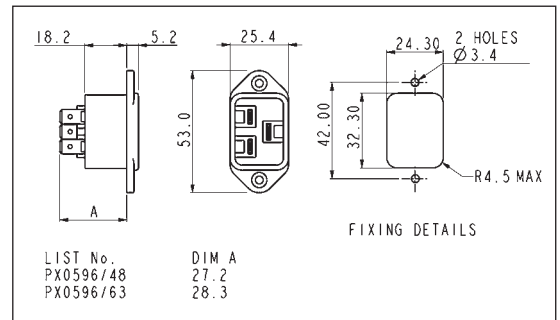


**C20 FLANGE MOUNT INLET**



**PX0596**

- 6.3mm or 4.8mm Tabs
- 16A, 250V a.c.  
(20A, 250V a.c. UL and CSA)

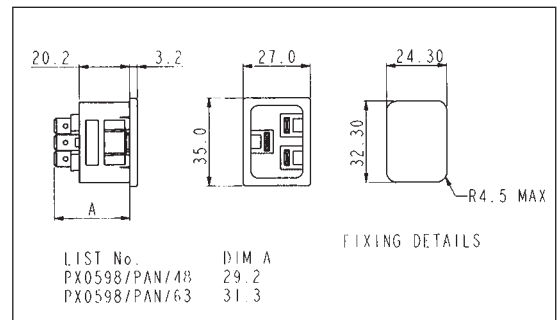


**C20 SNAP FIT TO PANEL INLET**



**PX0598**

- Fits panel sizes 1, 1.5, 2.0 or 3.0mm
- 6.3mm or 4.8mm Tabs
- 16A, 250V a.c.  
(20A, 250V a.c. UL and CSA)



Specification	PX0599	PX0596/Termination	PX0598/Panel/Termination
Fixing (Panel):	-	Flange	Snap Fit, /10 (1mm), /15 (1.5mm), /20 (2mm), /30 (3mm)
Terminations:	Screw Terminals	/63 (6.3mm tab), /48 (4.8mm tab)	/63 (6.3mm tab), /48 (4.8mm tab)
Max. Rating:	16A, 250V ac 20A, 250V ac UL and CSA	16A, 250V ac 20A, 250V ac UL and CSA	16A, 250V ac 20A, 250V ac UL and CSA
Insulation Resistance:	>5MΩ	>10 <sup>6</sup> MΩ	>10 <sup>6</sup> MΩ
Dielectric Strength			
Between contacts:	1.5kV ac	1.5kV ac	1.5kV ac
Between contacts & accessible surfaces:	3kV ac	3kV ac	3kV ac
Operating Temp. Range:	-40°C to +70°C	-40°C to +70°C	-40°C to +70°C
Max. Pin Temp.:	-	70°C	70°C
Withdrawal Force:	15N Min, 60N Max.	-	-
Mouldings:	Nylon, Flammability Rating UL94V-0	Nylon, Flammability Rating UL94V-0	Nylon, Flammability Rating UL 94V-0
Contacts:	Brass, Clean	Pins: Brass, Nickel Plated Tabs: Brass, Tin Plated	Pins: Brass, Nickel Plated Tabs: Brass, Tin Plated
Approvals:			
Mating Connectors:	C20 Inlets; PX0596 Flange and PX0598 Snapfit	PX0599 Rewirable Connector	PX0599 Rewirable Connector
Accessories:		KT0012, P.No. 14064 (see Pages 95 & 97)	P.No. 14064 (see Page 97)
<b>RoHS</b>	Compliant	Compliant	Compliant

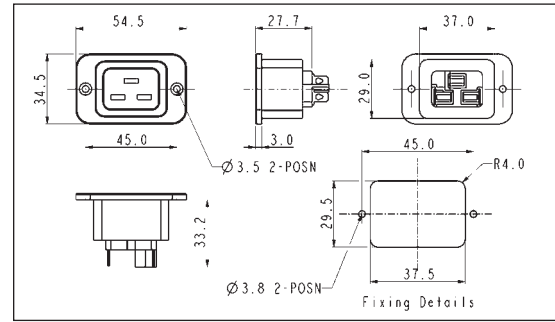
## EN60 320-2-2 Standard Sheet J & Standard Sheet I, Class I Cold Condition

### FLANGE MOUNT OUTLET



PX0591/63

- Flange Mounting
- 6.3mm Tabs
- 16A, 250V a.c. (20A, 250V a.c., UL & CSA)

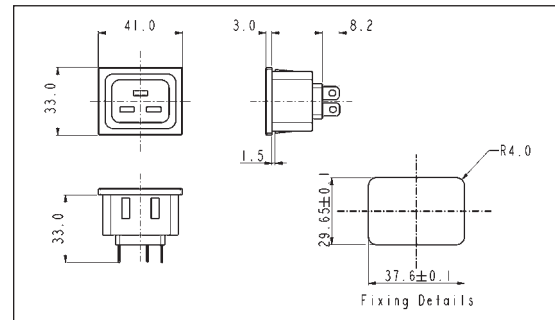


### SNAP FIT TO PANEL OUTLET



PX0592/15/63

- Snap Fit to Panel
- Panel Size 1.5mm
- 6.3mm Tabs
- 16A, 250V a.c. (20A, 250V a.c., UL & CSA)

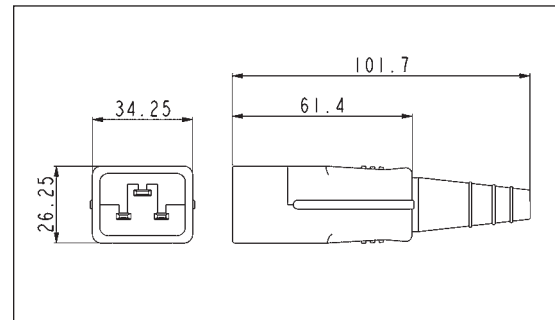


### STRAIGHT CABLE CONNECTOR



PX0594

- Re-wireable, screw terminals
- 16A, 250V a.c. (20A, 250V a.c. UL & CSA)
- Wire size (max.): 3 x 2.5mm<sup>2</sup>, 3 x 12 AWG
- Overall cable diameter up to 12mm



IEC CONNECTORS

Specification	PX0591/Termination	PX0592/15/Termination	PX0594
Fixing:	Flange	Snap fit, 1.5mm accommodation	-
Terminations:	/63 (6.3mm tab)	/63 (6.3mm tab)	Screw terminals
Max. Rating:	16A, 250V a.c. (UL & CSA 20A, 250V a.c.)	16A, 250V a.c. (UL & CSA 20A, 250V a.c.)	16A, 250V a.c. (UL & CSA 20A, 250V a.c.)
Insulation Resistance:	>100MΩ (250V, 1 min.)	>100MΩ (250V, 1 min.)	>5MΩ (min)
Dielectric Strength			
Between contacts:	1.5kV ac	1.5kV ac	1.5kV ac
Between contacts & accessible surfaces:	3kV ac	3kV ac	3kV ac
Operating Temp. Range:	-40°C to +70°C	-40°C to +70°C	-40°C to +70°C
Max. Pin Temp.:	-	-	-
Withdrawal Force:	-	-	15N Min, 60N Max.
Mouldings:	PB.T., Flammability Rating UL94V-0	Nylon, Flammability Rating UL94V-0	Nylon, Flammability Rating UL94V-0
Contacts:	Brass, Tin Plated	Brass, Tin Plated	Brass, Nickel Plated
Approvals:			pending
Accessories / Notes:	-	-	-
Mates with:	PX0594	PX0594	PX0591, PX0592
	Compliant	Compliant	Compliant



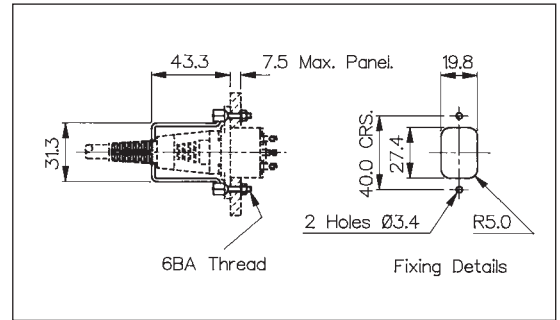
**Accessories**

**RETAINING CLIP**



**KT0006**  
(Shown with PX0580 & PX0587)

- Prevents Accidental Removal
- Fits flanged inlets

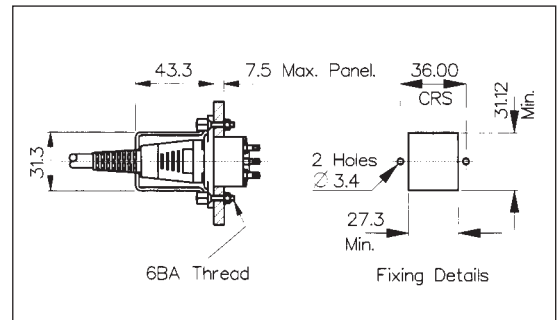


**RETAINING CLIP**



**KT0009**  
(Shown with PF0001 & PX0587)

- Prevents Accidental Removal
- Fits fused flanged inlets

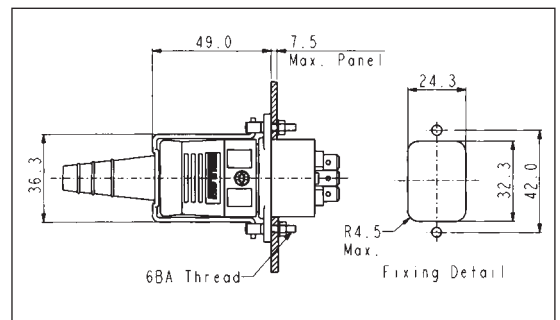


**RETAINING CLIP**



**KT0012**  
(Shown with PX0596 & PX0599)

- Prevents Accidental Removal
- For use with PX0596 flanged inlet and PX0599 connector

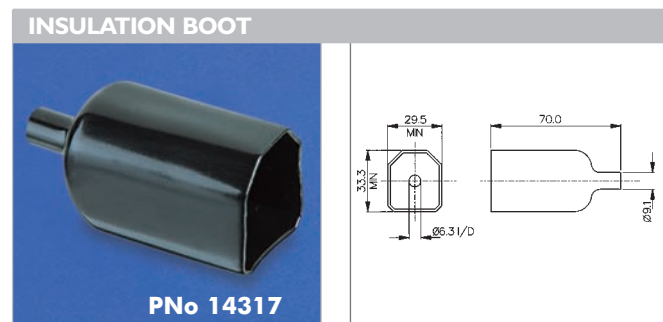
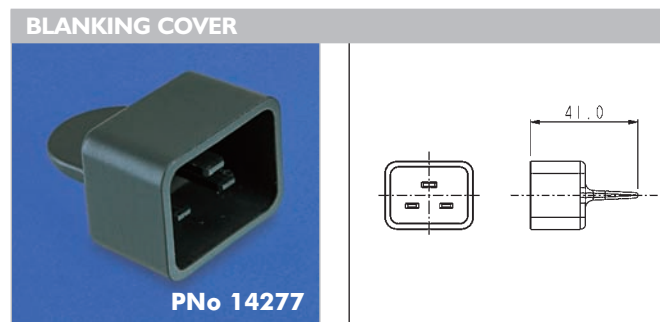
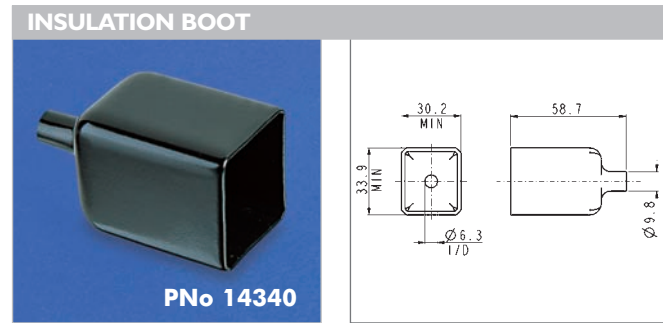


Specification	KT0006	KT0009	KT0012
	Retaining Clip to prevent accidental removal of connector.	Retaining Clip to prevent accidental removal of connector.	Retaining Clip to prevent accidental removal of connector.
	Fits: PX0580 + PX0587 PX0590 + PX0597 PX0690 + PX0587 PX0675 + PX0686 PX0793 + PX0686 PX0793/1 + PX0686	Fits: PF0001 + PX0587 PF0001/PC + PX0587 PF0002 + PX0587 PF0030 + PX0587	Fits: PX0596 + PX0599
Material:	Clip: Stainless Steel, other parts Brass, Nickel Plated	Clip: Stainless Steel, other parts Brass, Nickel Plated	Clip: Stainless Steel, other parts Brass, Nickel Plated
	Compliant	Compliant	Compliant

IEC CONNECTORS



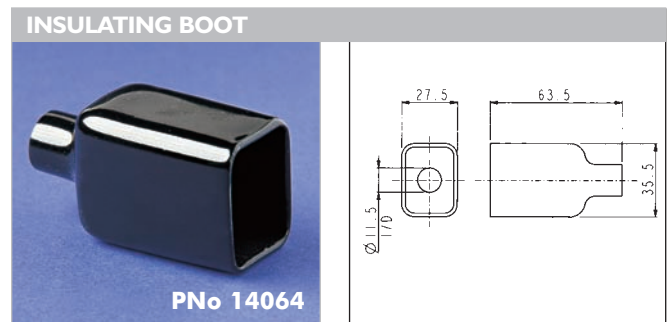
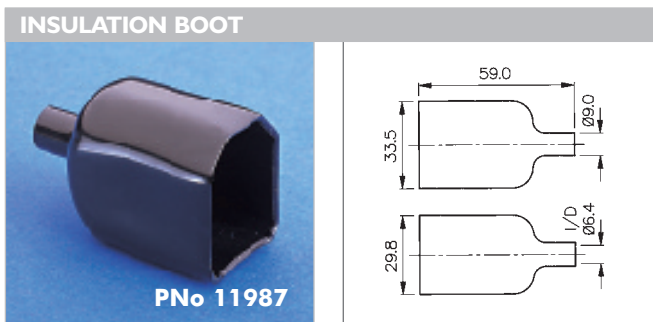
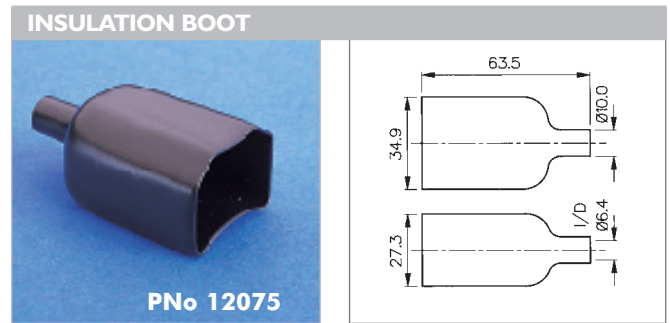
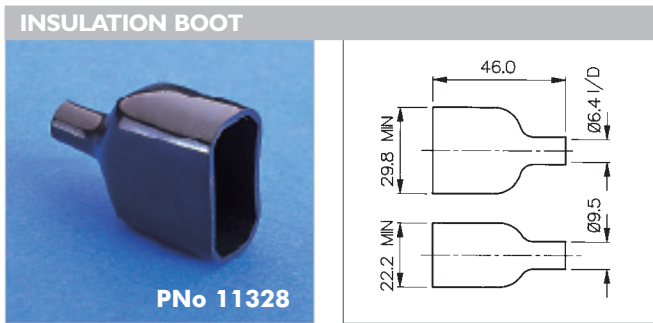
## Accessories



- Blanking covers
- Protects Front of Outlet Connector
- Protects Against Accidental Electric Shock

- PVC Insulation Boots
- Protects Rear of Connector
- Protects Against Accidental Electric Shock

Specification	PNo. 14228	PNo. 14277	PNo. 14340	PNo. 14317
	Blanking cover for PX0578, PX0675, PX0695, PX0783, PX0793, PX0716, PX0717, PX0718	Blanking cover for PX0591, PX0592,	Insulation boot for PS20, PS21, PS25, PS26	Insulation boot for PF0030, PF0033 (except /PC versions)
Operating Temp. Range:	-40°C to +70°C	-40°C to +70°C	-20°C to +60°C	-20°C to +60°C
Max. Working Voltage:	250V a.c.	250V a.c.	250V a.c.	250V a.c.
Flash Tested:	2kV a.c.	2kV a.c.	2kV a.c.	2kV a.c.
Material:	Nylon	Nylon	P.V.C.	P.V.C.
Flammability Rating:	UL94V-0	UL94V-0	UL94V-0	UL94V-0
<b>RoHS</b>	Compliant	Compliant	Compliant	Compliant



- PVC Insulation Boots
- Protects Rear of Connector
- Protects Against Accidental Electric Shock

Specification	PNo. 11328	PNo. 11987	PNo. 12075	PNo. 14064
	Insulation boot for PX0575, PX0579, PX0580, PX0590, PX0595	Insulation boot for PF range PF0001, PF0002, PF0006, PF0007, PF0011, PF0016 (except /PC versions)	Insulation boot for PX0675, PX0695, PX0705, PX0725, PX0783, PX0793, PX0793/1 (except /PC versions)	Insulation boot for PX0596, PX0598
Operating Temp. Range:	-20°C to +60°C	-20°C to +60°C	-20°C to +60°C	-20°C to +60°C
Max. Working Voltage:	250V a.c.	250V a.c.	250V a.c.	250V a.c.
Flash Tested:	2kV a.c.	2kV a.c.	2kV a.c.	2kV a.c.
Material:	P.V.C.	P.V.C.	P.V.C.	P.V.C.
Flammability Rating:	UL94V-0	UL94V-0	UL94V-0	UL94V-0
<b>RoHS</b>	Compliant	Compliant	Compliant	Compliant





# IEC Distribution Units

Housed in tough ABS boxes and panels these IEC & EN60320 Distribution Units have combinations of four, five or six outlets together with neon indicator, fuse and switch options. The three sizes are available in various combinations and, other than the compact version, all have shuttered outlets. The larger enclosed versions are also available with EMI filtering.

Type		Page
<b>IEC Distribution Box/Panel</b>		
PXD301	5 Way Rectangular	100
PXD100	5 Way Rectangular	100
PXD303	5 Way Rectangular	100
PXD306	5 Way Rectangular	100
PXD301/xxx/07/1	5 Way Rectangular	101
PXD301/xxx/08/1	5 Way Rectangular	101
PXD303/xxx/07/1	5 Way Rectangular	101
PXD303/xxx/08/1	5 Way Rectangular	101
PXD200	4 Way Rectangular	102
PXD201	4 Way Rectangular	102
PXD701	6 Way Square	103
PXD500	6 Way Square	103
PXD703	6 Way Square	103
PXD706	6 Way Square	103

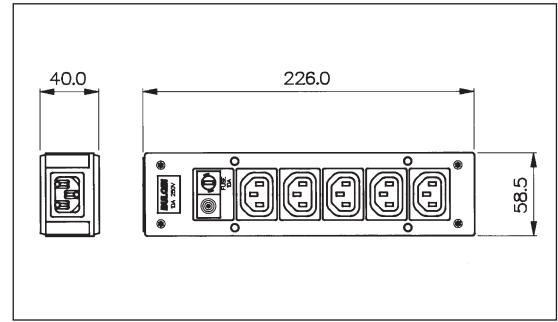
## IEC Rectangular Distribution Units

### IEC DISTRIBUTION UNIT



PXD301/050/01/1

- Five Shuttered Outlets
- 5 x 20mm Fuseholder
- Neon Indicator
- Filtered or Non-filtered
- EN60320 Inlet
- 10A, 250V a.c.

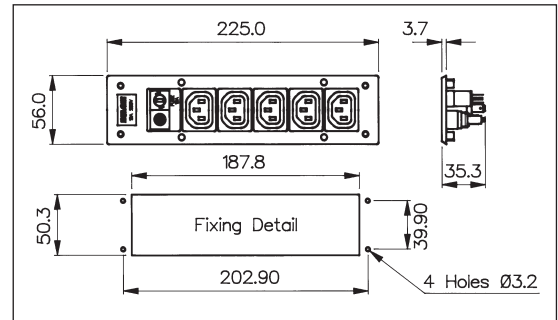


### IEC PANEL MOUNT DISTRIBUTION UNIT

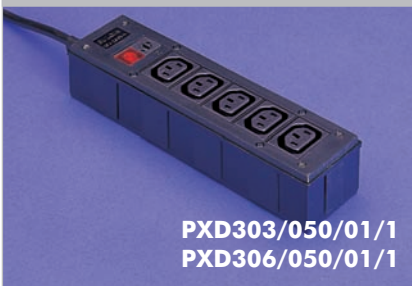


PXD100/050/01/1

- Five Shuttered Outlets
- 5 x 20mm Fuseholder
- Neon Indicator
- Screw Fit to Panel
- 10A, 250V a.c.

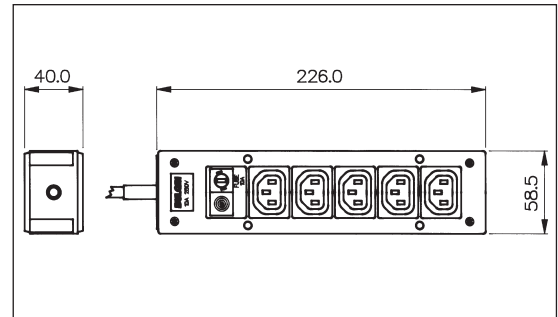


### IEC DISTRIBUTION UNIT



PXD303/050/01/1  
PXD306/050/01/1

- Five Shuttered Outlets
- 5 x 20mm Fuseholder
- Neon Indicator
- Filtered or Non-filtered
- 2 Metre Cable with BS1363 Plug
- 10A, 250V a.c.



IEC CONNECTORS

Part No.	Inlet	Outlet	EMI Filter	Neon Indicator	Fuse	Illuminated Switch	Approvals
Panel Style:							
PXD100/050/01/1		5 Shuttered		1	1		Ⓢ
Box Style:							
PXD301/050/01/1	1	5 Shuttered		1	1		Ⓢ
PXD301/050/07/1	1	5 Shuttered				Red	
PXD301/050/08/1	1	5 Shuttered				Green	
PXD301/550/01/1	1	5 Shuttered	✓	1	1		Ⓢ
PXD301/550/07/1	1	5 Shuttered	✓			Red	
PXD301/550/08/1	1	5 Shuttered	✓			Green	
PXD303/050/01/1	2m cable with BS1363 plug	5 Shuttered		1	1		
PXD303/050/07/1	2m cable with BS1363 plug	5 Shuttered				Red	
PXD303/050/08/1	2m cable with BS1363 plug	5 Shuttered				Green	
PXD303/550/01/1	2m cable with BS1363 plug	5 Shuttered	✓	1	1		
PXD303/550/07/1	2m cable with BS1363 plug	5 Shuttered	✓			Red	
PXD303/550/08/1	2m cable with BS1363 plug	5 Shuttered	✓			Green	
PXD306/050/01/1	2m cable with CEE7 Sheet VII plug	5 Shuttered		1	1		Ⓢ



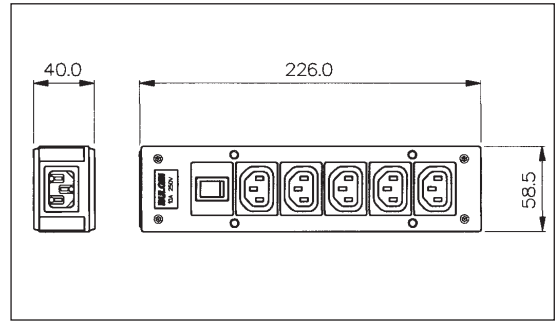
IEC Rectangular Distribution Units

IEC DISTRIBUTION UNIT



PXD301/050/07/1

- Five Shuttered Outlets
- Illuminated Switch
- Filtered or Non-Filtered
- EN60320 Inlet
- 10A, 250V a.c.

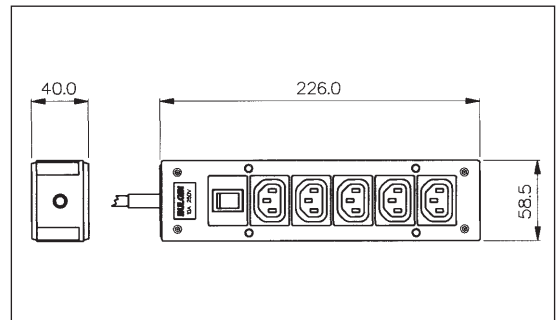


IEC DISTRIBUTION UNIT



PXD303/050/08/1

- Five Shuttered Outlets
- Illuminated Switch
- Filtered or Non-Filtered
- 2m Cable and BS1363 plug
- 10A, 250V a.c.



**Specification**

Mouldings:	Thermoplastic
Housing:	ABS
Connectors:	Nylon
Contacts:	Outlets: Brass, Tin Plated Inlets: Brass, Nickel Plated
Voltage Rating:	250V a.c. 50/60Hz
Current Rating:	10A
Proof Voltage:	2kV
Temp. Range:	-5°C to +60°C
Mating Connectors:	PX0686, PX0686/SE
<b>RoHS</b>	Compliant

**Filter**

Max. Earth Leakage Current:	<0.35mA (at 250V, 50Hz)
Capacitor:	2 x 2.2nF (Y), 1 x 15nF (X)
Inductance:	2 x 0.35mH
Fuse:	5 x 20mm, 10A (ceramic HRC type, IEC 127)

## IEC Rectangular Distribution Units

### COMPACT DISTRIBUTION UNIT



**PXD200**

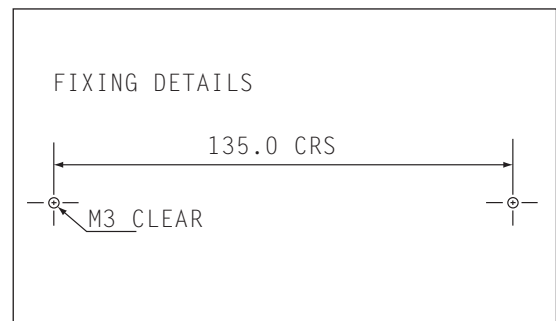
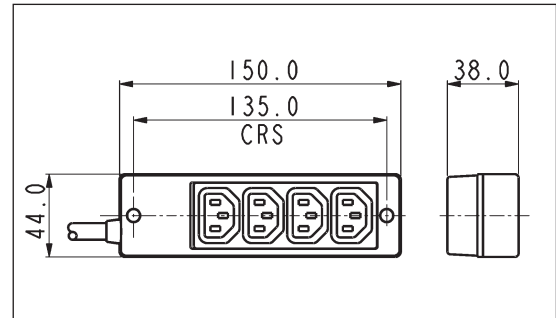
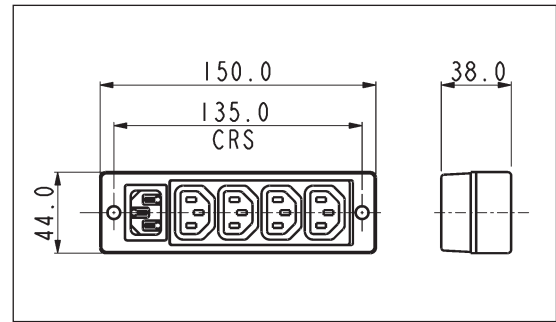
- Four Outlets
- EN60320 Inlet
- 10A, 250V ac
- cULus Approval

### COMPACT DISTRIBUTION UNIT



**PXD201**

- Four Outlets
- 2m Cable with BS1363 connector, Schuko connector (CEE7) or NEMA 5/15 connector
- 10A, 250V a.c.



### Specification

Mouldings:	Thermoplastic
Housing:	ABS, UL94V-0
Connectors:	BS1363, CEE7, NEMA 5/15
Contacts:	Outlets: Brass, Tin Plated Inlets: Brass, Nickel Plated
Voltage Rating:	250V a.c. 50/60Hz
Current Rating:	10A
Proof Voltage:	2kV
Temp. Range:	-5°C to +60°C
Approvals:	cULus Listed (PXD200)
<b>RoHS</b>	Compliant

Part No.	Inlet	Outlet
PXD200	1	4
PXD201	2m cable with BS 1363 plug	4
PXD201/1	2m cable with Schuko plug	4
PXD201/2	2m cable with NEMA 5/15	4

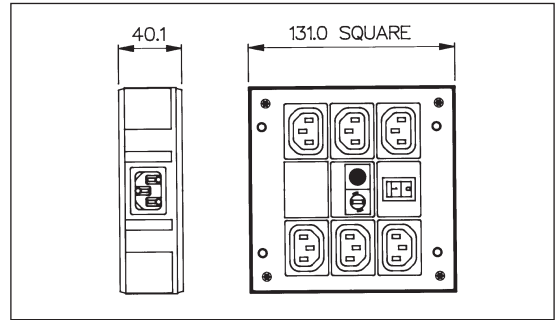
IEC Square Distribution Units

IEC DISTRIBUTION UNIT



PXD701/061/10/1

- Six Shuttered Outlets
- 5 x 20mm Fuseholder
- Filtered or Non Filtered
- Switch, Fuse, Neon Indicator
- With IEC Inlet
- 10A, 250V a.c.

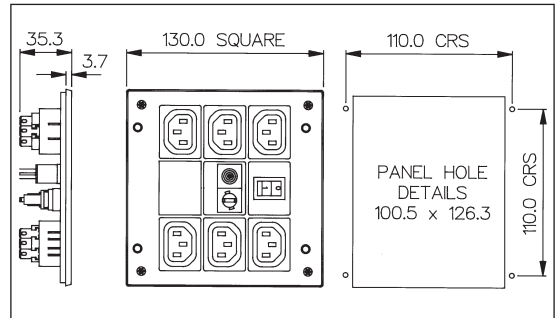


IEC PANEL MOUNT DISTRIBUTION UNIT



PXD500/061/10/1

- Six Shuttered Outlets
- 5 x 20mm Fuseholder
- Switch, Fuse, Neon Indicator
- Screw Fit to Panel
- 10A, 250V

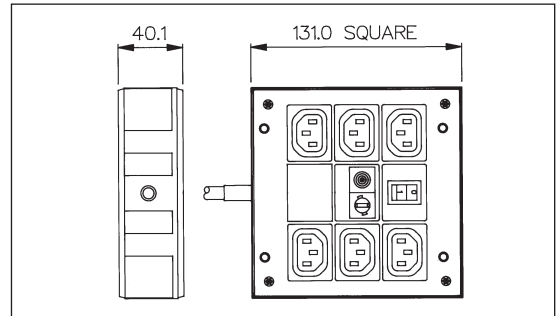


IEC DISTRIBUTION UNIT



PXD703/061/10/1  
PXD706/061/10/1

- Six Shuttered Outlets
- 5 x 20mm Fuseholder
- Filtered or Non Filtered
- Switch, Fuse, Neon Indicator
- 2 Metre Cable with BS1363 or CEE7 Plug
- 10A, 250V



Specification		Part No.	Inlet	Outlet	EMI Filter	Switch	Fuse	Neon Indicator
Mouldings:	Thermoplastic	Panel Style:						
Housing:	ABS	PXD500/061/10/1		6 Shuttered		1	1	1
Connectors:	Nylon	Box Style:						
Contacts:	Outlets: Brass, Tin Plated Inlets: Brass, Nickel Plated	PXD701/061/10/1	1	6 Shuttered		1	1	1
Voltage Rating:	250V a.c. 50/60Hz	PXD701/561/10/1	1	6 Shuttered	✓	1	1	1
Current Rating:	10A	PXD703/061/10/1	2m cable with BS 1363 plug	6 Shuttered		1	1	1
Proof Voltage:	2kV	PXD703/561/10/1	2m cable with BS 1363 plug	6 Shuttered	✓	1	1	1
Temp. Range:	-5°C to +60°C	PXD706/061/10/1	2m cable with CEE7 Sheet VII plug	6 Shuttered		1	1	1
<b>RoHS</b>	Compliant							
<b>Filter</b>								

Other configurations available on request.

Max. Earth Leakage Current:	<0.35mA (at 250V, 50Hz)
Capacitor:	2 x 2.2nF (Y), 1 x 15nF (X)
Inductance:	2 x 0.35mH
Fuse:	5 x 20mm, 10A (ceramic HRC type, IEC 127)





# Polysnap®

With over 26,000 combinations Bulgin's Polysnap mains power inlet modules offer a very adaptable and flexible solution to panel design.

Polysnap allow combinations of mains inlets and outlets, filtered inlets, switches, fuseholders, voltage selectors and indicators mounted in either horizontal or vertical format bezels ready for quick snap-fit assembly. The compact design occupies the minimum of panel area and a single rectangular mounting hole, offering easy installation for this mains power entry module.

To complement Polysnap the Polyflange range offers a flange fixing alternative for designers who prefer the security of screw fixing.

All types and variations are available through Bulgin's extensive distribution network.

Type	Page
BZV Series	108-116
BZH Series	117-121
BZM Series	122
BVA & BVB Series	123-124
Filter Options	125-129



Components used in Polysnap® and Polyflange Power Inlet Modules

Note: Components are Approved Individually (where applicable). Please see individual component pages for full specifications.

IEC CONNECTORS, FUSEHOLDERS AND VOLTAGE SELECTORS

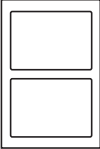
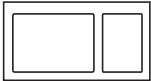
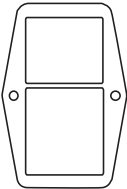
Type	Description	Rating	Approvals
DX0928	Neon Indicator	110V or 250V a.c./d.c. working	
FX0359	5 x 20mm Fuseholder	Max. rating 10A. 250V See Page 150	
PF0011	C14 Power Inlet with Integral 5 x 20mm Fuseholder	Max. rating 10A. 250V a.c. See Page 81	
PF0033	C14 Power Inlet with Integral twin 5 x 20mm Fuseholder	Max. rating 10A. 250V a.c. See Page 82	
PX0575	C14 Power Inlet, Cold condition	Max. rating 10A. 250V a.c. See Page 77	
PX0595	C16 Power Inlet, Hot Condition	Max. rating 10A. 250V a.c. See Page 83	
PX0695	Sheet F Power Outlet	Max. rating 10A. 250V a.c. See Page 90	
PX0783	Sheet F Shuttered Power Outlet	Max. rating 10A. 250V a.c. See Page 91	
PX0598	C20 Power Inlet	Max. rating 16A, 250V a.c. See Page 93	
VS0001	Voltage Selector marked 120/240V	Max. rating 6.3A. 120/240V a.c. See Page 196	

SWITCHES, INDICATORS AND CIRCUIT BREAKERS

No Poles	Illumination	Current Ratings	Circuit	Approvals
Single Pole	Non-illuminated High Inrush	Max. rating 16A Resistive, 4A Inductive, 250Vac. Max. rating 16A Resistive, 4A Inductive, 250Vac. Inrush current, 150A to IEC65.		
	Illuminated	Max. rating 16A Resistive, 4A Inductive, 250Vac.		
Double Pole	Non-illuminated High Inrush	Max. rating 16A Resistive, 4A Inductive, 250Vac. Max. rating 16A Resistive, 4A Inductive, 250Vac. Inrush current, 150A to IEC65.		
	Illuminated	Max. rating 16A Resistive, 4A Inductive, 250Vac. 250Vac Neon.		
For Mini Bezel:				
Single Pole	Non-illuminated	Max. rating 10A Resistive, 4A Inductive, 250Vac.		
	Illuminated	Max. rating 10A Resistive, 4A Inductive, 250Vac. 250Vac Neon.		
Double Pole	Non-illuminated	Max. rating 10A Resistive, 4A Inductive, 250Vac.		
	High Inrush	Max. rating 10A Resistive, 4A Inductive, 250Vac. Inrush current, 85A to EN61058-1.		
	Illuminated	Max. rating 10A Resistive, 4A Inductive, 250Vac. 250Vac Neon.		
Indicator		250Vac neon lamp connected internally to terminals.		

**RoHS** Polysnap and Polyflange range and all components are compliant

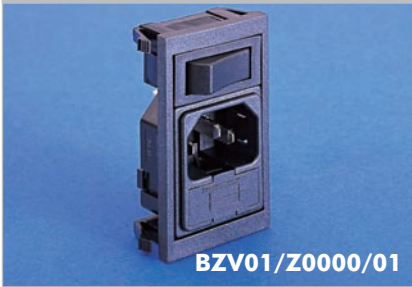
OVERVIEW OF POLY SNAP MODULES

Style	INLETS				OUTLETS	INLET/OUTLET COMBINATIONS	
	C14	C14 Fused	C16	C20	Sheet F	C14	C14 Fused
<b>Snap to Panel - Vertical</b> 	With SP switch Page 110  With other components Pages 111, 112, 113	With SP switch Page 108  With DP Switch Page 109	With SP switch Page 110  With other components Pages 111, 112, 113	With SP switch Page 114	With SP switch Page 116	With other components Page 115	
<b>Snap to Panel - Horizontal</b> 	Mini Bezel With SP Switch Page 122  Mini Bezel With DP Switch Page 122	With SP switch Page 117  With DP Switch Page 118				With SP switch Page 119	With DP switch Page 120  No additional components Page 121
<b>Flange Mount - Vertical</b> 		With SP switch Page 123  With DP switch Page 124					

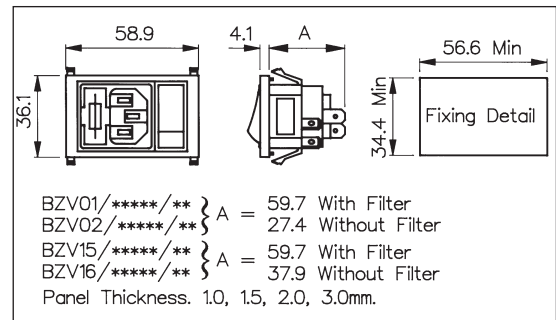
IEC CONNECTORS

## C14 IEC Fused Inlet - Vertical

### VERTICAL MODULE ARRANGEMENT



- Fused Inlet with 2.8mm or 6.3mm tags
- Single Pole Switch Variations
- Filtered Inlet Option
- Options of I/O marked switches



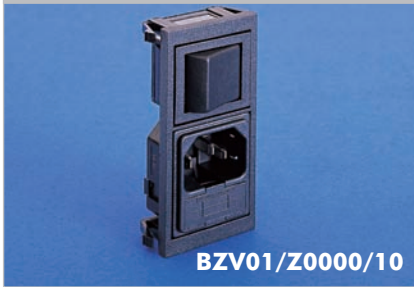
### How to Order

**BZV xx / xxxxx / xx**

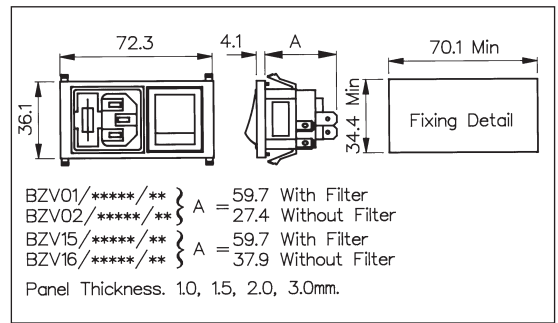
Type of Inlet / Outlet	Filtered or Non Filtered Inlet	Combination of Other Components
<p>Single Fused C14 Power Inlet (cold condition), 6.3 or 2.8mm tabs:</p> <p><b>01</b> = PF0011/63 <b>02</b> = PF0011/28</p> <p>Twin Fused C14 Power Inlet (cold condition), 6.3 or 2.8mm tabs:</p> <p><b>15</b> = PF0033/63 <b>16</b> = PF0033/28</p>	<p>Z0000 = Non Filtered</p> <p>Axxxx = Standard</p> <p>Bxxxx = Medical (Twin Fuse Version only)</p> <div style="border: 1px solid black; padding: 5px; margin-top: 20px;"> <p>For Filtered inlet use 6th to 9th characters from filter ordering code see pages 127-129.</p> <p>E.g. BZV01/<b>A0620</b>/01</p> </div>	<p>Single Pole Switch:</p> <p><b>01</b> = S.P. Switch</p> <p>Single Pole Neon Switch:</p> <p><b>02</b> = S.P. Red Neon Switch <b>08</b> = S.P. Green Neon Switch</p> <p>Neon Indicator:</p> <p><b>03</b> = Red Neon Indicator</p> <p>Single Pole High Inrush Switch:</p> <p><b>46</b> = S.P. High Inrush Switch</p> <p>Single Pole Switch Marked I/O:</p> <p><b>69</b> = S.P. Switch (I/O)</p> <p>Single Pole Neon Switch Marked (I/O):</p> <p><b>71</b> = S.P. Red Neon Switch (I/O) <b>74</b> = S.P. Green Neon Switch (I/O)</p> <p>Single Pole High Inrush Switch Marked (I/O):</p> <p><b>98</b> = S.P. High Inrush Switch (I/O)</p>

Note: For technical details of individual components please see page 106

VERTICAL MODULE ARRANGEMENT



- Fused Inlet with 2.8mm or 6.3mm tags
- Double Pole Switch or Indicator Variations
- Filtered Inlet Option
- Options of I/O marked switches



How to Order

**BZV** xx / xxxxx / xx



Type of Inlet / Outlet	Filtered or Non Filtered Inlet	Combination of Other Components
Single Fused C14 Power Inlet (cold condition), 6.3 or 2.8mm tabs:  <b>01</b> = PF0011/63 <b>02</b> = PF0011/28  Twin Fused C14 Power Inlet (cold condition), 6.3 or 2.8mm tabs:  <b>15</b> = PF0033/63 <b>16</b> = PF0033/28	Z0000 = Non Filtered  Axxxx = Standard  Bxxxx = Medical (Twin Fuse Version only)  <div style="border: 1px solid black; padding: 5px; margin-top: 20px;">             For Filtered inlet use 6th to 9th characters from filter              ordering code see pages 127-129.               E.g. BZV01/<b>A0620</b>/10           </div>	Neon Indicator:  <b>D3</b> = Red Neon Indicator  Double Pole Switch:  <b>10</b> = D.P. Switch  Double Pole Neon Switch:  <b>11</b> = D.P. Red Neon Switch <b>12</b> = D.P. Green Neon Switch  Double Pole High Inrush Switch:  <b>13</b> = D.P. High Inrush Switch  Double Pole Switch Marked I/O:  <b>70</b> = D.P. Switch (I/O)  Double Pole Neon Switch Marked (I/O):  <b>76</b> = D.P. Red Neon Switch (I/O) <b>77</b> = D.P. Green Neon Switch (I/O)  Double Pole High Inrush Switch Marked (I/O):  <b>78</b> = D.P. High Inrush Switch (I/O) <b>B1</b> = D.P. High Inrush Green Neon Switch (I/O)

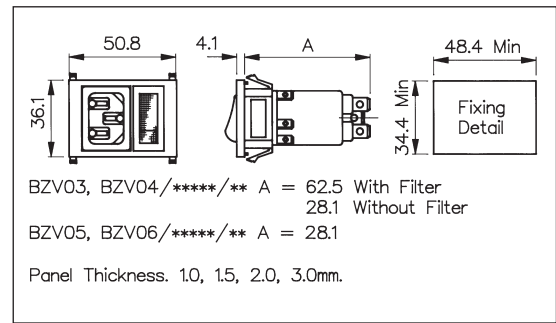
Note: For technical details of individual components please see page 106

C14 and C16 IEC Inlet - Vertical

VERTICAL MODULE ARRANGEMENT



- Inlet with 2.8mm or 6.3mm tags
- Single Pole Switch or Neon Indicator Variations
- Filtered Inlet Option
- Options of I/O marked switches
- Non Fused



How to Order

BZV xx / xxxxx / xx

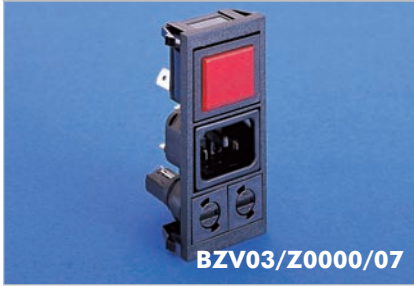
Type of Inlet / Outlet	Filtered or Non Filtered Inlet	Combination of Other Components
<p>C14 Power Inlet (cold condition), 6.3 or 2.8mm tabs:</p> <p><b>03</b> = PX0575/63 <b>04</b> = PX0575/28</p> <p>C16 Power Inlet (hot condition), 6.3 or 2.8mm tabs:</p> <p><b>05</b> = PX0595/63 <b>06</b> = PX0595/28</p> <div style="border: 1px solid black; padding: 5px; margin-top: 10px;">                     Please note type 05 and 06 are not available in filtered version                 </div>	<p>Z0000 = Non Filtered</p> <p>Axxxx = Standard</p> <p>Bxxxx = Medical</p> <div style="border: 1px solid black; padding: 10px; margin-top: 20px;">                     For Filtered inlet use 6th to 9th characters from filter ordering code see pages 125-126. E.g. BZV03/<b>A0120</b>/02                 </div>	<p>Single Pole Switch:</p> <p><b>01</b> = S.P. Switch</p> <p>Single Pole Neon Switch:</p> <p><b>02</b> = S.P. Red Neon Switch <b>08</b> = S.P. Green Neon Switch</p> <p>Neon Indicator:</p> <p><b>03</b> = Red Neon Indicator</p> <p>Single Pole High Inrush Switch:</p> <p><b>46</b> = S.P. High Inrush Switch</p> <p>Single Pole Switch Marked I/O:</p> <p><b>69</b> = S.P. Switch (I/O)</p> <p>Single Pole Neon Switch Marked (I/O):</p> <p><b>71</b> = S.P. Red Neon Switch (I/O) <b>74</b> = S.P. Green Neon Switch (I/O)</p> <p>Single Pole High Inrush Switch Marked (I/O):</p> <p><b>98</b> = S.P. High Inrush Switch (I/O)</p>

Note: For technical details of individual components please see page 106

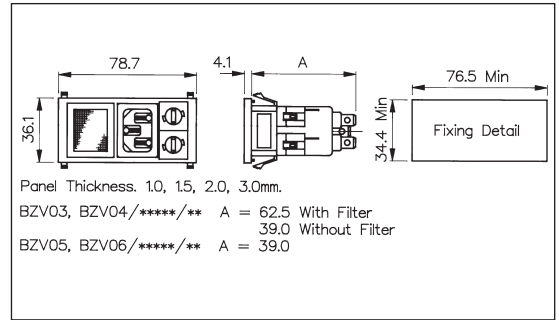


C14 and C16 IEC Inlet - Vertical

VERTICAL MODULE ARRANGEMENT



- Inlet with 2.8mm or 6.3mm tags
- Double Pole Switch/ Fuseholder/Indicator/ Voltage Selectors/ Blanking Plate
- Filtered Inlet Option
- Options of I/O marked switches



How to Order

**BZV xx / xxxxx / xx**

Type of Inlet / Outlet	Filtered or Non Filtered Inlet	Combination of Other Components	
<p>C14 Power Inlet (cold condition), 6.3 or 2.8mm tabs:</p> <p><b>03</b> = PX0575/63 <b>04</b> = PX0575/28</p> <p>C16 Power Inlet (hot condition), 6.3 or 2.8mm tabs:</p> <p><b>05</b> = PX0595/63 <b>06</b> = PX0595/28</p>	<p>Z0000 = Non Filtered Axxxx = Standard Bxxxx = Medical</p>	<p>Twin Fuseholder and Double Pole Switch: <b>05</b> = 2 x FX0359 + D.P. Switch</p> <p>Twin Fuseholder and Double Pole Neon Switch: <b>06</b> = 2 x FX0359 + D.P. Red Neon Switch <b>09</b> = 2 x FX0359 + D.P. Green Neon Switch <b>19</b> = 2 x FX0359 + D.P. Red Neon Switch 125V</p> <p>Twin Fuseholder and Neon Indicator: <b>07</b> = 2 x FX0359 + Red Neon Indicator</p> <p>Voltage Selector, Fuseholder and Double Pole Switch: <b>15</b> = 1 x VS0001 + 1 x FX0359 + Double Pole switch</p> <p>Voltage Selector, Fuseholder and Double Pole Neon Switch: <b>16</b> = 1 x VS0001 + 1 x FX0359 + D.P. Red Neon Switch <b>18</b> = 1 x VS0001 + 1 x FX0359 + D.P. Green Neon Switch</p> <p>Voltage Selector, Fuseholder and Neon Indicator: <b>17</b> = 1 x VS0001 + 1 x FX0359 + Red Neon Indicator</p> <p>Twin Fuseholder and Double Pole High Inrush Switch: <b>20</b> = 2 x FX0359 + D.P. High Inrush Switch</p> <p>Twin Fuseholder and Double Pole High Inrush Neon Switch: <b>21</b> = 2 x FX0359 + 1 x D.P. High Inrush Green Neon Switch <b>22</b> = 2 x FX0359 + 1 x D.P. High Inrush Red Neon Switch</p>	<p>Voltage Selector, Neon Indicator and Double Pole Switch <b>25</b> = 1 x VS0001 + 1 x DX0928/110V/Red + D.P. Switch <b>26</b> = 1 x VS0001 + 1 x DX0928/110V/Green + D.P. Switch <b>27</b> = 1 x VS0001 + 1 x DX0928/250V/Red + D.P. Switch <b>28</b> = 1 x VS0001 + 1 x DX0928/250V/Green + D.P. Switch</p> <p>Voltage Selector, Neon Indicator and Double Pole High Inrush Switch: <b>29</b> = 1 x VS0001 + 1 x DX0928/250V/Red + D.P. High Inrush Switch <b>30</b> = 1 x VS0001 + 1 x DX0928/250V/Green + D.P. High Inrush Switch</p> <p>Fuseholder, Neon Indicator and Double Pole Switch <b>31</b> = 1 x FX0359 + 1 x DX0928/110V/Red + D.P. Switch <b>32</b> = 1 x FX0359 + 1 x DX0928/110V/Green + D.P. Switch <b>33</b> = 1 x FX0359 + 1 x DX0928/250V/Red + D.P. Switch <b>34</b> = 1 x Fx0359 + 1 x DX0928/250V/Green + D.P. Switch</p> <p>Fuseholder, Neon Indicator and Double Pole High Inrush Switch: <b>35</b> = 1 x FX0359 + 1 x DX0928/250V/Red + D.P. High Inrush Switch <b>36</b> = 1 x FX0359 + 1 x DX0928/250V/Green + D.P. High Inrush Switch</p> <p>Fuseholder, Blanking Plate and Double Pole High Inrush Neon Switch: <b>47</b> = 1 x FX0359 + 1 x Blanking Plate (Right) + D.P. High Inrush Green Neon Switch</p> <p>Fuseholder, Blanking Plate and Double Pole Switch: <b>48</b> = 1 x FX0359 + 1 x Blanking Plate (Right) + D.P. Switch</p>
<p>Please note type 05 and 06 are not available in filtered version</p>	<p>For Filtered inlet use 6th to 9th characters from filter ordering code see pages 125-126.</p> <p>E.g. BZV03/<b>A0120</b>/07</p>		

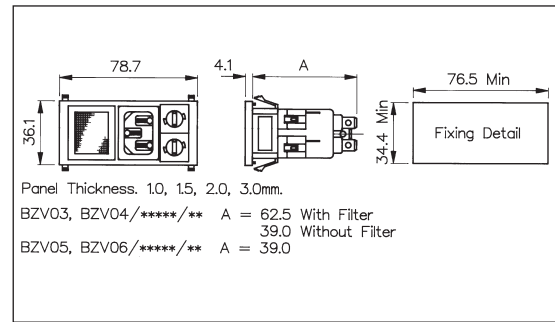
IEC CONNECTORS

C14 and C16 IEC Inlet - Vertical

VERTICAL MODULE ARRANGEMENT



- Inlet with 2.8mm or 6.3mm tags
- Double Pole Switch/ Fuseholder/Indicator/ Voltage Selectors/ Blanking Plate
- Filtered Inlet Option
- Options of I/O marked switches



How to Order

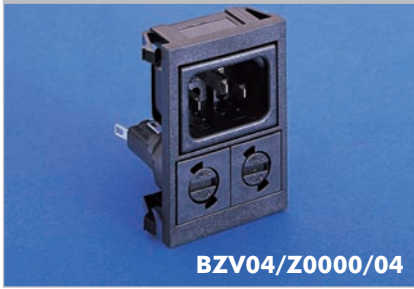
BZV xx / xxxxx / xx

Type of Inlet / Outlet	Filtered or Non Filtered Inlet	Combination of Other Components
<p>C14 Power Inlet (cold condition), 6.3 or 2.8mm tabs:</p> <p><b>03</b> = PX0575/63 <b>04</b> = PX0575/28</p> <p>C16 Power Inlet (hot condition), 6.3 or 2.8mm tabs:</p> <p><b>05</b> = PX0595/63 <b>06</b> = PX0595/28</p>	<p>Z0000 = Non Filtered</p> <p>Axxxx = Standard</p> <p>Bxxxx = Medical</p>	<p>Twin Fuseholder and Double Pole Switch Marked (I/O): <b>72</b> = 2 x FX0359 + D.P. Switch (I/O)</p> <p>Twin Fuseholder and Double Pole Neon Switch Marked (I/O): <b>73</b> = 2 x FX0359 + D.P. Red Neon Switch (I/O) <b>75</b> = 2 x FX0359 + D.P. Green Neon Switch (I/O) <b>82</b> = 2 x FX0359 + D.P. Red Neon Switch 125V(I/O)</p> <p>Voltage Selector, Fuseholder and Double Pole Switch Marked (I/O): <b>79</b> = 1 x VS0001 + 1 x FX0359 + Double Pole switch (I/O)</p> <p>Voltage Selector, Fuseholder and Double Pole Neon Switch Marked (I/O): <b>80</b> = 1 x VS0001 + 1 x FX0359 + D.P. Red Neon Switch (I/O) <b>81</b> = 1 x VS0001 + 1 x FX0359 + D.P. Green Neon Switch (I/O)</p> <p>Twin Fuseholder and Double Pole High Inrush Switch Marked (I/O): <b>83</b> = 2 x FX0359 + D.P. High Inrush Switch (I/O)</p> <p>Twin Fuseholder and Double Pole High Inrush Neon Switch Marked (I/O): <b>84</b> = 2 x FX0359 + 1 x D.P. High Inrush Green Neon Switch (I/O) <b>85</b> = 2 x FX0359 + 1 x D.P. High Inrush Red Neon Switch (I/O)</p> <p>Voltage Selector, Neon Indicator and Double Pole Switch Marked (I/O): <b>86</b> = 1 x VS0001 + 1 x DX0928/110V/Red + D.P. Switch (I/O) <b>87</b> = 1 x VS0001 + 1 x DX0928/110V/Green + D.P. Switch (I/O) <b>88</b> = 1 x VS0001 + 1 x DX0928/250V/Red + D.P. Switch (I/O) <b>89</b> = 1 x VS0001 + 1 x DX0928/250V/Green + D.P. Switch (I/O)</p>
<p>Please note type 05 and 06 are not available in filtered version</p>	<p>For Filtered inlet use 6th to 9th characters from filter ordering code see pages 125-126.</p> <p>E.g. BZV03/<b>A0120</b>/07</p>	<p>Voltage Selector, Neon Indicator and Double Pole High Inrush Switch Marked (I/O): <b>90</b> = 1 x VS0001 + 1 x DX0928/250V/Red + D.P. High Inrush Switch(I/O) <b>91</b> = 1 x VS0001 + 1 x DX0928/250V/Green + D.P. High Inrush Switch(I/O)</p> <p>Fuseholder, Neon Indicator and Double Pole Switch Marked (I/O) <b>92</b> = 1 x FX0359 + 1 x DX0928/110V/Red + D.P. Switch (I/O) <b>93</b> = 1 x FX0359 + 1 x DX0928/110V/Green + D.P. Switch (I/O) <b>94</b> = 1 x FX0359 + 1 x DX0928/250V/Red + D.P. Switch (I/O) <b>95</b> = 1 x FX0359 + 1 x DX0928/250V/Green + D.P. Switch (I/O)</p> <p>Fuseholder, Neon Indicator and Double Pole High Inrush Switch Marked (I/O): <b>96</b> = 1 x FX0359 + 1 x DX0928/250V/Red + D.P. High Inrush Switch (I/O) <b>97</b> = 1 x FX0359 + 1 x DX0928/250V/Green + D.P. High Inrush Switch (I/O)</p> <p>Fuseholder, Blanking Plate and Double Pole High Inrush Neon Switch Marked (I/O): <b>99</b> = 1 x FX0359 + 1 x Blanking Plate (Right) + D.P. High Inrush Green Neon Switch (I/O)</p> <p>Fuseholder, Blanking Plate and Double Pole Switch Marked (I/O): <b>A0</b> = 1 x FX0359 + 1 x Blanking Plate (Right) + D.P. Switch (I/O) <b>B2</b> = 1 x VS0002 + 1 x Blanking Plate <b>B3</b> = 1 x FX0359 + 1 x Blanking Plate + D.P. High Inrush Switch (I/O)</p>

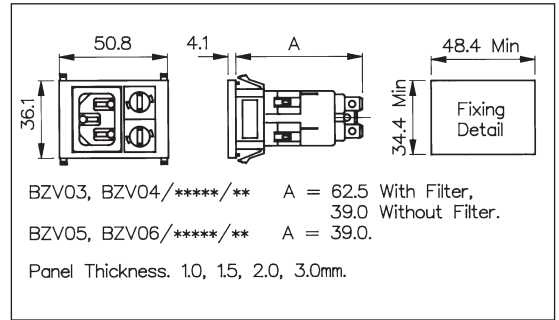
IEC CONNECTORS

**C14 and C16 IEC Inlet - Vertical**

**VERTICAL MODULE ARRANGEMENT**

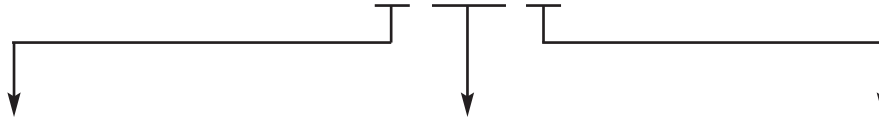


- Inlet with 2.8mm or 6.3mm tags
- Fuseholder/Voltage Selector/Indicator options/Blanking plate
- Filtered Inlet Option



**How to Order**

**BZV xx / xxxxx / xx**

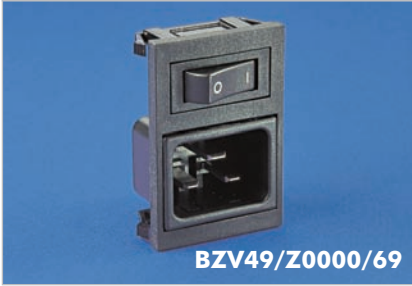


Type of Inlet / Outlet	Filtered or Non Filtered Inlet	Combination of Other Components
<p>C14 Power Inlet (cold condition), 6.3 or 2.8mm tabs:</p> <p><b>03</b> = PX0575/63 <b>04</b> = PX0575/28</p> <p>C16 Power Inlet (hot condition), 6.3 or 2.8mm tabs:</p> <p><b>05</b> = PX0595/63 <b>06</b> = PX0595/28</p> <div style="border: 1px solid black; padding: 5px; margin-top: 10px;">                     Please note type 05 and 06 are not available in filtered version                 </div>	<p>Z0000 = Non Filtered</p> <p>Axxxx = Standard</p> <p>Bxxxx = Medical</p> <div style="border: 1px solid black; padding: 10px; margin-top: 10px;">                     For Filtered inlet use 6th to 9th characters from filter ordering code see pages 125-126.                       E.g. BZV04/<b>A0120</b>/04                 </div>	<p>Twin Fuseholder:</p> <p><b>04</b> = 2 x FX0359</p> <p>Voltage Selector and Fuseholder:</p> <p><b>14</b> = 1 x VS0001 + 1 x FX0359</p> <p>Voltage selector and Neon:</p> <p><b>37</b> = 1 x VS0001 + DX0928/110V/Red  <b>38</b> = 1 x VS0001 + DX0928/110V/Green  <b>39</b> = 1 x VS0001 + DX0928/250V/Red  <b>40</b> = 1 x VS0001 + DX0928/250V/Green</p> <p>Fuseholder and Neon:</p> <p><b>41</b> = 1 x FX0359 + DX0928/110V/Red  <b>42</b> = 1 x FX0359 + DX0928/110V/Green  <b>43</b> = 1 x FX0359 + DX0928/250V/Red  <b>44</b> = 1 x FX0359 + DX0928/250V/Green</p> <p>Fuseholder and Blanking Plate:</p> <p><b>45</b> = 1 x FX0359 + Blanking Plate</p> <p>Voltage Selector and Blanking Plate:</p> <p><b>B2</b> = 1 x VS0001 + Blanking Plate</p>

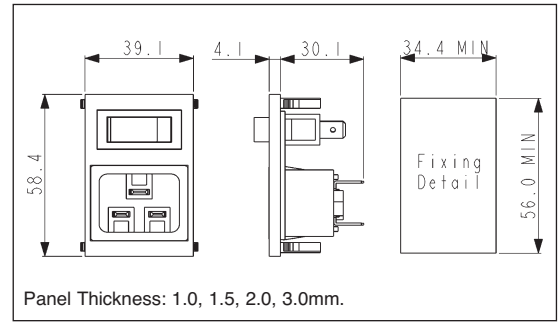
Note: For technical details of individual components please see page 106

C20 IEC Inlet - Vertical

VERTICAL MODULE ARRANGEMENT



- Inlet with 4.8mm or 6.3mm tags
- Single Pole Switch marked I/O
- Illuminated, red or green, switches
- High inrush non-illuminated switch



How to Order

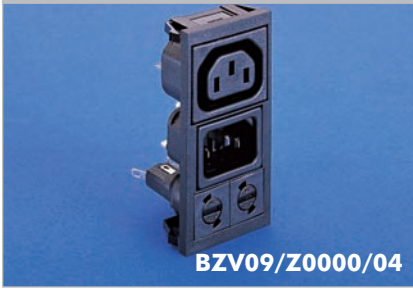
BZV xx / xxxxx / xx

Type of Inlet	Filtered or Non Filtered Inlet	Combination of Other Components
C20 Power Inlet (cold condition), 4.8 or 6.3mm tabs:  <b>49</b> = PX0598/63 <b>50</b> = PX0598/48	Z0000 = Non Filtered	Single Pole Switch: <b>01</b> = S.P. Switch  Single Pole Switch Marked (I/O): <b>69</b> = S.P. Switch (I/O)  Single Pole Illuminated Switch: <b>02</b> = S.P. Illuminated Red <b>08</b> = S.P. Illuminated Green  Single Pole Non-illuminated High Inrush Switch Marked I/O: <b>98</b> = S.P. High Inrush Switch (I/O)  Single Pole Illuminated (Red or Green 250v Neon) Switch Marked I/O: <b>71</b> = S.P. Switch Illuminated Red (I/O) <b>74</b> = S.P. Switch Illuminated Green (I/O)

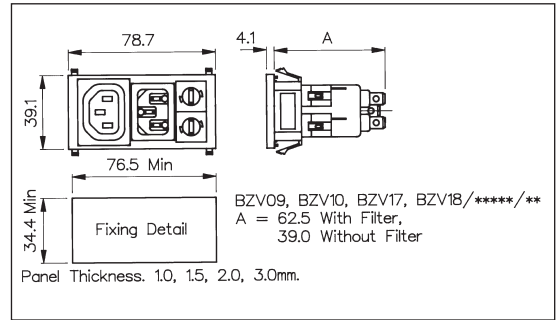
Note: For technical details of individual components please see page 106

**C14 IEC Inlet/Sheet F IEC Outlet - Vertical**

**VERTICAL MODULE ARRANGEMENT**



- Inlet/Outlet Combination
- 2.8mm or 6.3mm tabs
- Filtered Inlet and Blanking Plate options
- Shuttered or Non-shuttered Outlet
- Fused



**How to Order**

**BZV xx / xxxxx / xx**

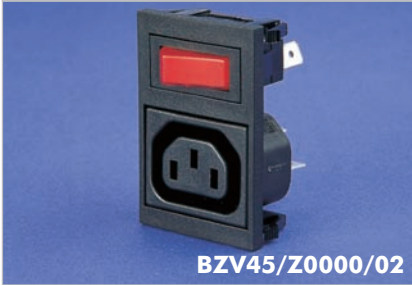
Type of Inlet / Outlet	Filtered or Non Filtered Inlet	Combination of Other Components
<p>C14 Power Inlet (cold condition) and Sheet F Non-shuttered Power Outlet, 2.8 or 6.3mm tabs:</p> <p><b>09</b> = PX0575/63 + PX0695/63  <b>10</b> = PX0575/28 + PX0695/28</p> <p>C14 Power Inlet (cold condition) and Sheet F Shuttered Power Outlet, 2.8 or 6.3mm tabs:</p> <p><b>17</b> = PX0575/63 + PX0783/63  <b>18</b> = PX0575/28 + PX0783/28</p>	<p>Z0000 = Non Filtered                      Axxxx = Standard                      Bxxxx = Medical</p> <div style="border: 1px solid black; padding: 5px; margin-top: 20px;"> <p>For Filtered inlet use 6th to 9th characters from filter ordering code see pages 125-126.                      E.g. BZV09/<b>A0120</b>/04</p> </div>	<p>Twin Fuseholder:  <b>04</b> = 2 x FX0359</p> <p>Voltage Selector and Fuseholder:  <b>14</b> = 1 x VS0001 + 1 x FX0359</p> <p>Voltage selector and Neon:  <b>37</b> = 1 x VS0001 + DX0928/110V/Red  <b>38</b> = 1 x VS0001 + DX0928/110V/Green  <b>39</b> = 1 x VS0001 + DX0928/250V/Red  <b>40</b> = 1 x VS0001 + DX0928/250V/Green</p> <p>Fuseholder and Neon:  <b>41</b> = 1 x FX0359 + DX0928/110V/Red  <b>42</b> = 1 x FX0359 + DX0928/110V/Green  <b>43</b> = 1 x FX0359 + DX0928/250V/Red  <b>44</b> = 1 x FX0359 + DX0928/250V/Green</p> <p>Fuseholder and Blanking Plate:  <b>45</b> = 1 x FX0359 + Blanking Plate</p> <p>Voltage Selector and Blanking Plate:  <b>B2</b> = 1 x VS0001 + Blanking Plate</p>

Note: For technical details of individual components please see page 106

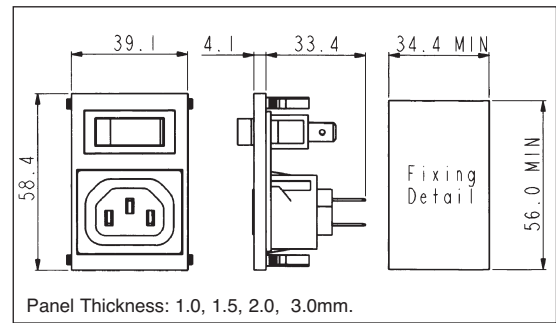


Sheet F IEC Outlet - Vertical

VERTICAL MODULE ARRANGEMENT



- Outlet with 2.8mm or 6.3mm tabs
- Shuttered or Non-Shuttered
- Single Pole Switch or Neon Indicator
- I/O Marking Options



How to Order

BZV xx / xxxxx / xx

Type of Outlet

Non Filtered Outlet

Combination of Other Components

Sheet F Power Outlet (non shuttered), 6.3 or 2.8mm tabs:

- 45 = PX0695/63
- 46 = PX0695/28

Sheet F Power Outlet (shuttered), 6.3 or 2.8mm tabs:

- 47 = PX0783/63
- 48 = PX0783/28

Z0000 = Non Filtered

Single Pole Switch:

01 = S.P. Switch

Single Pole Neon Switch:

02 = S.P. Red Neon Switch

08 = S.P. Green Neon Switch

Neon Indicator:

03 = Red Neon Indicator

Single Pole High Inrush Switch:

46 = S.P. High Inrush Switch

Single Pole Switch Marked I/O:

69 = S.P. Switch (I/O)

Single Pole Neon Switch Marked (I/O):

71 = S.P. Red Neon Switch (I/O)

74 = S.P. Green Neon Switch (I/O)

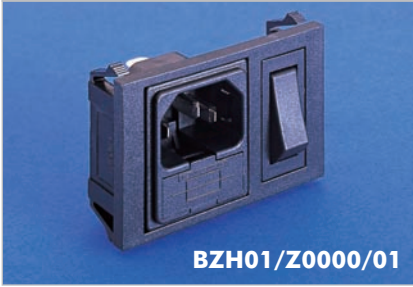
Single Pole High Inrush Switch Marked (I/O):

98 = S.P. High Inrush Switch (I/O)

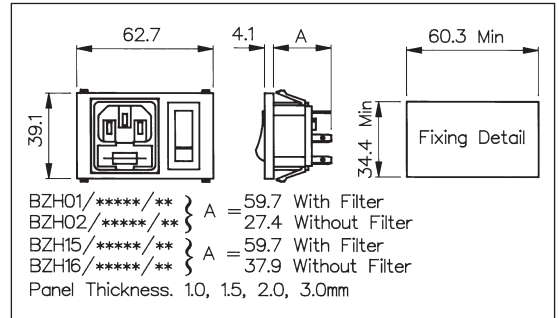
Note: For technical details of individual components please see page 106

C14 IEC Fused Inlet - Horizontal

HORIZONTAL MODULE ARRANGEMENT



- Fused Inlet with 2.8mm or 6.3mm tags
- Single Pole Switch Variations
- Filtered Inlet Option
- Options of I/O marked switches



How to Order

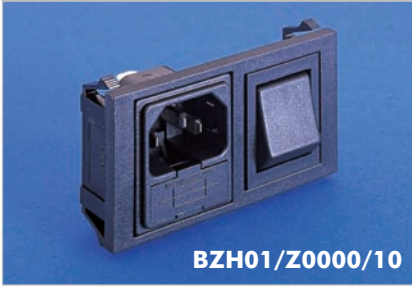
**BZH xx / xxxxx / xx**

Type of Inlet / Outlet	Filtered or Non Filtered Inlet	Combination of Other Components
Single Fused C14 Power Inlet (cold condition), 2.8 or 6.3mm tabs: <b>01</b> = PF0011/63 <b>02</b> = PF0011/28	Z0000 = Non Filtered Axxxx = Standard Bxxxx = Medical (Twin Fuse Version only)	Single Pole Switch: <b>01</b> = S.P. Switch  Single Pole Neon Switch: <b>02</b> = S.P. Red Neon Switch <b>08</b> = S.P. Green Neon Switch  Neon Indicator: <b>03</b> = Red Neon Indicator  Single Pole High Inrush Switch: <b>46</b> = S.P. High Inrush Switch  Single Pole Switch Marked I/O: <b>69</b> = S.P. Switch (I/O)  Single Pole Neon Switch Marked (I/O): <b>71</b> = S.P. Red Neon Switch (I/O) <b>74</b> = S.P. Green Neon Switch (I/O)  Single Pole High Inrush Switch Marked (I/O): <b>98</b> = S.P. High Inrush Switch (I/O)
Twin Fused C14 Power Inlet (cold condition), 2.8 or 6.3mm tabs: <b>15</b> = PF0033/63 <b>16</b> = PF0033/28	For Filtered inlet use 6th to 9th characters from filter ordering code see pages 127-129.  E.g. BZH01/ <b>A0620</b> /01	

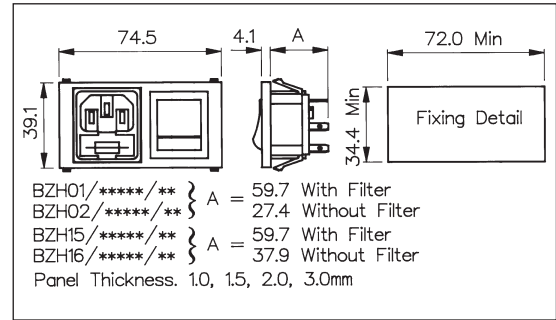
Note: For technical details of individual components please see page 106

C14 IEC Fused Inlet - Horizontal

HORIZONTAL MODULE ARRANGEMENT



- Fused Inlet with 2.8mm or 6.3mm tags
- Double Pole Switch Variations
- Filtered Inlet Option
- Options of I/O marked switches



How to Order

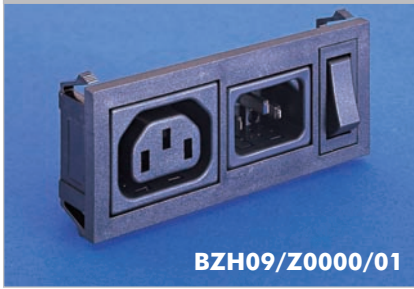
**BZH** xx / xxxxx / xx

Type of Inlet / Outlet	Filtered or Non Filtered Inlet	Combination of Other Components
Single Fused C14 Power Inlet (cold condition), 2.8 or 6.3mm tabs:  <b>01</b> = PF0011/63 <b>02</b> = PF0011/28  Twin Fused C14 Power Inlet (cold condition), 2.8 or 6.3mm tabs:  <b>15</b> = PF0033/63 <b>16</b> = PF0033/28	Z0000 = Non Filtered  Axxxx = Standard  Bxxxx = Medical (Twin Fuse Version only)  <div style="border: 1px solid black; padding: 5px; margin-top: 20px;">                         For Filtered inlet use 6th to 9th characters from filter ordering code see pages 127-129.                           E.g. BZH01/<b>A0620</b>/10                     </div>	Neon Indicator: <b>03</b> = Red Neon Indicator  Double Pole Switch: <b>10</b> = D.P. Switch  Double Pole Neon Switch: <b>11</b> = D.P. Red Neon Switch <b>12</b> = D.P. Green Neon Switch  Double Pole High Inrush Switch: <b>13</b> = D.P. High Inrush Switch  Double Pole Switch marked I/O: <b>70</b> = D.P. Switch (I/O)  Double Pole Neon Switch Marked (I/O): <b>76</b> = D.P. Red Neon Switch (I/O) <b>77</b> = D.P. Green Neon Switch (I/O)  Double Pole High Inrush Switch Marked (I/O): <b>78</b> = D.P. High Inrush Switch (I/O) <b>B1</b> = D.P. High Inrush Green Neon Switch (I/O)

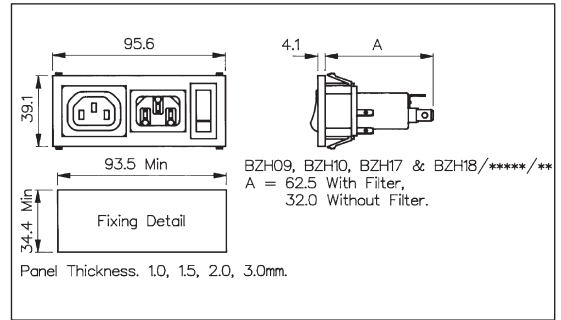
Note: For technical details of individual components please see page 106

**C14 IEC Inlet/Sheet F IEC Outlet - Horizontal**

**HORIZONTAL MODULE ARRANGEMENT**

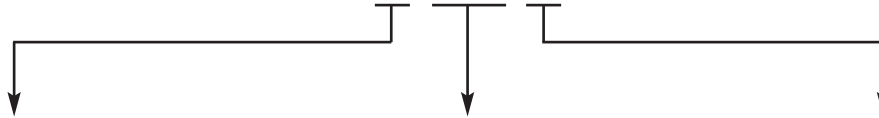


- Inlet/Outlet Combination with 2.8mm or 6.3mm tags
- Shuttered or Non-Shuttered Outlet
- Single Pole Switch Variations
- Filtered Inlet Option
- Options of I/O marked switches



**How to Order**

**BZH xx / xxxxx / xx**

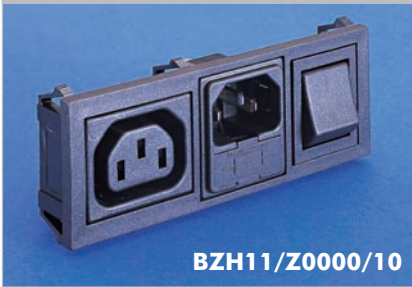


Type of Inlet / Outlet	Filtered or Non Filtered Inlet	Combination of Other Components
<p>C14 Power Inlet (cold condition) and Sheet F Non-shuttered Power Outlet, 2.8 or 6.3mm tabs:</p> <p><b>09</b> = PX0575/63 + PX0695/63  <b>10</b> = PX0575/28 + PX0695/28</p> <p>C14 Power Inlet (cold condition) and Sheet F Shuttered Power Outlet, 2.8 or 6.3mm tabs:</p> <p><b>17</b> = PX0575/63 + PX0783/63  <b>18</b> = PX0575/28 + PX0783/28</p>	<p>Z0000 = Non Filtered</p> <p>Axxxx = Standard</p> <p>Bxxxx = Medical</p> <div style="border: 1px solid black; padding: 10px; margin-top: 20px;"> <p>For Filtered inlet use 6th to 9th characters from filter ordering code see pages 125-126.</p> <p>E.g. BZH09/<b>A0120</b>/01</p> </div>	<p>Single Pole Switch:</p> <p><b>01</b> = S.P. Switch</p> <p>Single Pole Neon Switch:</p> <p><b>02</b> = S.P. Red Neon Switch  <b>08</b> = S.P. Green Neon Switch</p> <p>Neon Indicator:</p> <p><b>03</b> = Red Neon Indicator</p> <p>Single Pole High Inrush Switch:</p> <p><b>46</b> = S.P. High Inrush Switch</p> <p>Single Pole Switch Marked I/O:</p> <p><b>69</b> = S.P. Switch (I/O)</p> <p>Single Pole Neon Switch Marked (I/O):</p> <p><b>71</b> = S.P. Red Neon Switch (I/O)  <b>74</b> = S.P. Green Neon Switch (I/O)</p> <p>Single Pole High Inrush Switch Marked (I/O):</p> <p><b>98</b> = S.P. High Inrush Switch (I/O)</p>

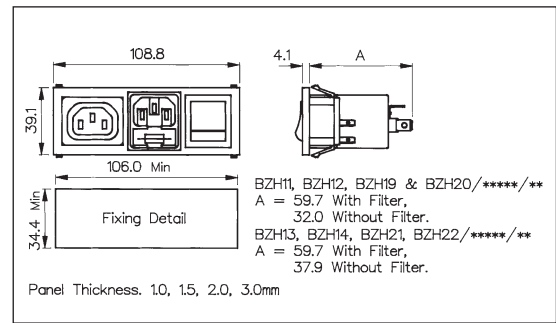
Note: For technical details of individual components please see page 106

C14 IEC Inlet/Sheet F IEC Outlet - Horizontal

HORIZONTAL MODULE ARRANGEMENT

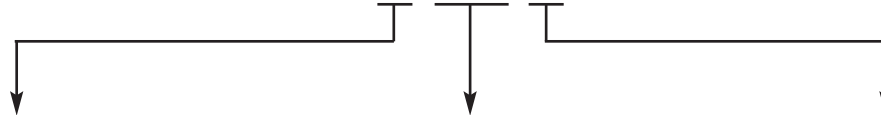


- Inlet/Outlet Combination with 2.8mm or 6.3mm tags
- Single or Twin Fused Inlet
- Shuttered or Non-Shuttered Outlet
- Double Pole Switch Variations
- Filtered Inlet Option
- Options of I/O marked switches



How to Order

BZH xx / xxxxx / xx



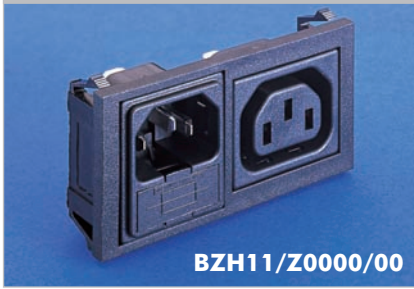
Type of Inlet/Outlet	Filtered or Non Filtered Inlet	Combination of Other Components
Single Fused C14 Power Inlet (cold condition) and Sheet F Power Outlet, 2.8 or 6.3mm tabs: <b>11</b> = PF0011/63 + PX0695/63 <b>12</b> = PF0011/28 + PX0695/28  Twin Fused C14 Power Inlet (cold condition) and Sheet F Power Outlet, 2.8 or 6.3mm tabs: <b>13</b> = PF0033/63 + PX0695/63 <b>14</b> = PF0033/28 + PX0695/28  Single Fused C14 Power Inlet (cold condition) and Sheet F Shuttered Power Outlet, 2.8 or 6.3mm tabs: <b>19</b> = PF0011/63 + PX0783/63 <b>20</b> = PF0011/28 + PX0783/28  Twin Fused C14 Power Inlet (cold condition) and Sheet F Shuttered Power Outlet, 2.8 or 6.3mm tabs: <b>21</b> = PF0033/63 + PX0783/63 <b>22</b> = PF0033/28 + PX0783/28	Z0000 = Non Filtered Axxxx = Standard Bxxxx = Medical (Twin Fuse Version only)  <div style="border: 1px solid black; padding: 5px; text-align: center;">                         For Filtered inlet use 6th to 9th characters from filter ordering code see pages 127-129.                          E.g. BZH11/<b>A0620</b>/10                     </div>	Neon Indicator: <b>D3</b> = Red Neon Indicator  Double Pole Switch: <b>10</b> = D.P. Switch  Double Pole Neon Switch: <b>11</b> = D.P. Red Neon Switch <b>12</b> = D.P. Green Neon Switch  Double Pole High Inrush Switch: <b>13</b> = D.P. High Inrush Switch  Double Pole Switch Marked I/O: <b>70</b> = D.P. Switch (I/O)  Double Pole Neon Switch Marked (I/O): <b>76</b> = D.P. Red Neon Switch (I/O) <b>77</b> = D.P. Green Neon Switch (I/O)  Double Pole High Inrush Switch Marked (I/O): <b>78</b> = D.P. High Inrush Switch (I/O) <b>B1</b> = D.P. High Inrush Green Neon Switch (I/O)

Note: For technical details of individual components please see page 106

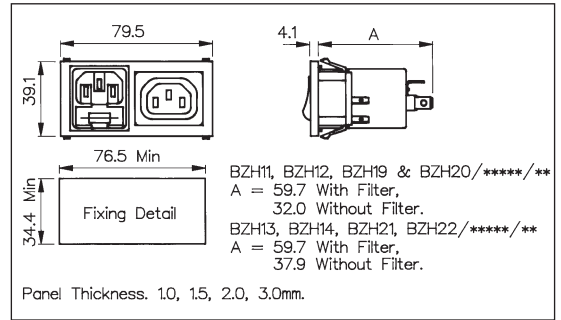


**C14 IEC Fused Inlet/Sheet F IEC Outlet - Horizontal**

**HORIZONTAL MODULE ARRANGEMENT**



- Fused Inlet/Outlet Combination with 2.8mm or 6.3mm tags
- Filtered Inlet Option
- Single or Twin Fused



**How to Order**

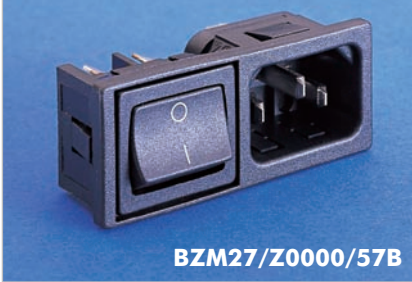
**BZH xx / xxxxx / xx**

Type of Inlet / Outlet	Filtered or Non Filtered Inlet	Combination of Other Components
<p>Single Fused C14 Power Inlet (cold condition) and Sheet F Non-shuttered Power Outlet, 2.8 or 6.3mm tabs:</p> <p><b>11</b> = PF0011/63 + PX0695/63 <b>12</b> = PF0011/28 + PX0695/28</p> <p>Twin Fused C14 Power Inlet (cold condition) and Sheet F Non-shuttered Power Outlet, 2.8 or 6.3mm tabs:</p> <p><b>13</b> = PF0033/63 + PX0695/63 <b>14</b> = PF0033/28 + PX0695/28</p> <p>Single Fused C14 Power Inlet (cold condition) and Sheet F Shuttered Power Outlet, 2.8 or 6.3mm tabs:</p> <p><b>19</b> = PF0011/63 + PX0783/63 <b>20</b> = PF0011/28 + PX0783/28</p> <p>Twin Fused C14 Power Inlet (cold condition) and Sheet F Shuttered Power Outlet, 2.8 or 6.3mm tabs:</p> <p><b>21</b> = PF0033/63 + PX0783/63 <b>22</b> = PF0033/28 + PX0783/28</p>	<p>Z0000 = Non Filtered Axxxx = Standard Bxxxx = Medical (Twin Fuse Version only)</p> <div style="border: 1px solid black; padding: 10px; margin-top: 20px;"> <p>For Filtered inlet use 6th to 9th characters from filter ordering code see pages 127-129. E.g. BZH11/<b>A0620</b>/00</p> </div>	<p>None <b>00</b> = None</p>

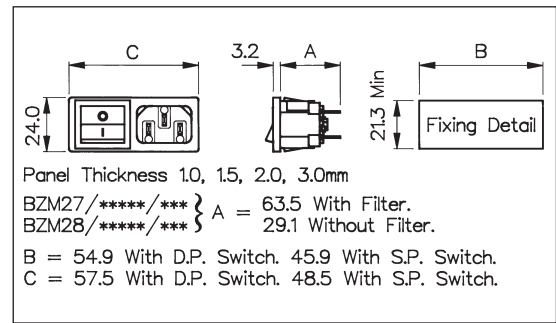
Note: For technical details of individual components please see page 106

C14 IEC Inlet - Mini Bezel

MINIMUM COMBINED BEZEL SIZE



- Inlet with 2.8, 4.8 or 6.3mm tags
- Horizontal Module Arrangement
- Single and Double Pole Switch Variations
- Filtered Inlet Option



How to Order

BZM xx / xxxxx / xx x

Type of Inlet / Outlet	Filtered or Non Filtered Inlet	Switch Variation	Panel Thickness
C14 Power Inlet (cold condition), 6.3, 4.8 & 2.8mm tabs:  <b>27</b> = PX0575/63 <b>42</b> = PX0575/48* <b>28</b> = PX0575/28  *filter option not available	Z0000 = Non Filtered  Axxxx = Standard  Bxxxx = Medical  <div style="border: 1px solid black; padding: 5px; margin-top: 10px;">                         For Filtered inlet use 6th to 9th characters from filter ordering code see pages 125-126.                           E.g. BZM27/<b>A0120</b>/57B                     </div>	Single Pole Switch, 4.8mm or solder tab, marked I/O: <b>53</b> = S.P. Switch, 4.8mm tab (I/O) <b>54</b> = S.P. Switch, solder tab (I/O)  Single Pole Illuminated Switch, 4.8mm or solder tab: <b>55</b> = S.P. Switch Illum. Red, 4.8mm tab <b>61</b> = S.P. Switch Illum. Green, 4.8mm tab <b>56</b> = S.P. Switch Illum. Red, solder tab <b>62</b> = S.P. Switch Illum. Green, solder tab  Double Pole Switch, 4.8mm or solder tab, marked I/O: <b>57</b> = D.P. Switch, 4.8mm tab (I/O) <b>58</b> = D.P. Switch, solder tab (I/O)  Double Pole Illuminated Switch, 4.8mm or solder tab: <b>59</b> = D.P. Switch Illum. Red, 4.8mm tab <b>63</b> = D.P. Switch Illum. Green, 4.8mm tab <b>60</b> = D.P. Switch Illum. Red, solder tab <b>64</b> = D.P. Switch Illum. Green, solder tab  Double Pole High Inrush, 4.8mm tabs: <b>65</b> = D.P. High Inrush Switch, 4.8mm tabs (S.P. format)  Double Pole High Inrush, 4.8mm tabs, marked I/O: <b>68</b> = D.P. High Inrush Switch, 4.8mm tabs, I/O (S.P. format)  Single Pole Illuminated Switch, 4.8mm or solder tab, Marked I/O: <b>A1</b> = S.P. Switch Illum. Red, 4.8mm tab (I/O) <b>A5</b> = S.P. Switch Illum. Green, 4.8mm tab (I/O) <b>A2</b> = S.P. Switch Illum. Red, solder tab (I/O) <b>A6</b> = S.P. Switch Illum. Green, solder tab (I/O)  Double Pole Illuminated Switch, 4.8mm or solder tab, Marked I/O: <b>A3</b> = D.P. Switch Illum. Red, 4.8mm tab <b>A7</b> = D.P. Switch Illum. Green, 4.8mm tab <b>A4</b> = D.P. Switch Illum. Red, solder tab <b>A8</b> = D.P. Switch Illum. Green, solder tab	<b>1.0mm</b> = A  <b>1.5mm</b> = B  <b>2.0mm</b> = C  <b>3.0mm</b> = D

Note: For technical details of individual components please see please see page 106

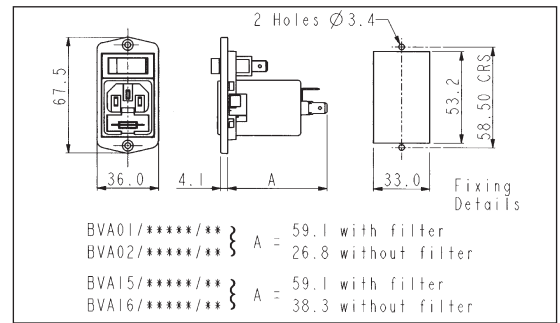
Inlet Approvals:

**C14 IEC Fused Inlet - Polyflange**

**VERTICAL MODULE ARRANGEMENT**



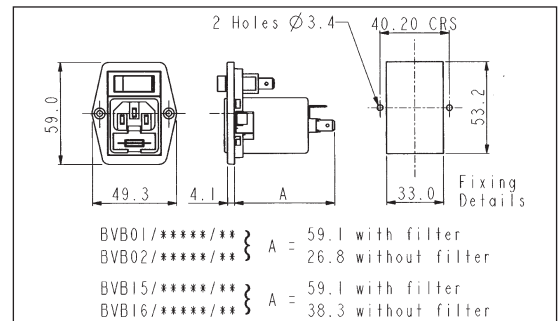
- Fused Inlet with 2.8mm or 6.3mm tags
- Screw Fixing to Panel
- Single Pole Switch Variations
- Filtered Inlet Option
- Options of I/O marked switches



**VERTICAL MODULE ARRANGEMENT**



- Fused Inlet with 2.8mm or 6.3mm tags
- Screw Fixing to Panel
- Single Pole Switch Variations
- Filtered Inlet Option
- Options of I/O marked switches



**How to Order**

**BVx xx / xxxxx / xx**

Flange Type	Type of Inlet / Outlet	Filtered or Non Filtered Inlet	Combination of Other Components
<b>A</b> = Top fixing <b>B</b> = Side fixing	Single Fused C14 Power Inlet (cold condition), 6.3 or 2.8mm tabs: <b>01</b> = PF0011/63 <b>02</b> = PF0011/28  Twin Fused C14 Power Inlet (cold condition), 6.3 or 2.8mm tabs: <b>15</b> = PF0033/63 <b>16</b> = PF0033/28	Z0000 = Non Filtered Axxxx = Standard Bxxxx = Medical (Twin Fuse Version only)	Single Pole Switch: <b>01</b> = S.P. Switch  Single Pole Neon Switch: <b>02</b> = S.P. Red Neon Switch <b>08</b> = S.P. Green Neon Switch  Neon Indicator: <b>03</b> = Red Neon Indicator  Single Pole High Inrush Switch: <b>46</b> = S.P. High Inrush Switch  Single Pole Switch Marked I/O: <b>69</b> = S.P. Switch (I/O)  Single Pole Neon Switch Marked (I/O): <b>71</b> = S.P. Red Neon Switch (I/O) <b>74</b> = S.P. Green Neon Switch (I/O)  Single Pole High Inrush Switch Marked (I/O): <b>98</b> = S.P. High Inrush Switch (I/O)

For Filtered inlet use 6th to 9th characters from filter ordering code see pages 127-129.  
E.g. BVA01/**A0620**/01

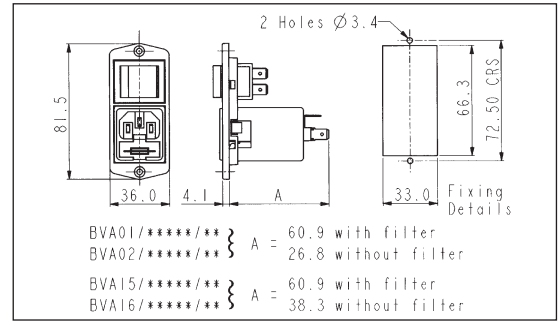
Note: For technical details of individual components please see page 106

C14 IEC Fused Inlet - Polyflange

VERTICAL MODULE ARRANGEMENT



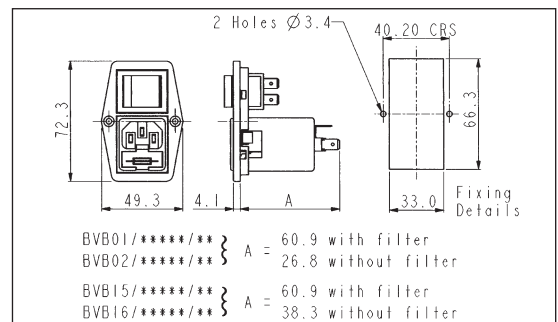
- Fused Inlet with 2.8mm or 6.3mm tags
- Screw Fixing to Panel
- Double Pole Switch Variations
- Filtered Inlet Option
- Options of I/O marked switches



VERTICAL MODULE ARRANGEMENT



- Fused Inlet with 2.8mm or 6.3mm tags
- Screw Fixing to Panel
- Double Pole Switch Variations
- Filtered Inlet Option
- Options of I/O marked switches



How to Order

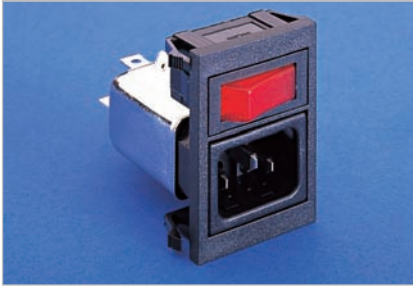
**BVx xx / xxxxx / xx**

Flange Type	Type of Inlet / Outlet	Filtered or Non Filtered Inlet	Combination of Other Components
<p><b>A</b> = Top fixing</p> <p><b>B</b> = Side fixing</p>	<p>Fused C14 Power Inlet (cold condition), 6.3 or 2.8mm tabs:</p> <p><b>01</b> = PF0011/63  <b>02</b> = PF0011/28</p> <p>Twin Fused C14 Power Inlet (cold condition), 6.3 or 2.8mm tabs:</p> <p><b>15</b> = PF0033/63  <b>16</b> = PF0033/28</p>	<p>Z0000 = Non Filtered</p> <p>Axxxx = Standard</p> <p>Bxxxx = Medical (Twin Fuse Version only)</p> <div style="border: 1px solid black; padding: 5px; margin-top: 10px;"> <p>For Filtered inlet use 6th to 9th characters from filter ordering code see pages 127-129.</p> <p>E.g. BVA01/<b>A0620</b>/10</p> </div>	<p>Neon Indicator:</p> <p><b>D3</b> = Red Neon Indicator</p> <p>Double Pole Switch:</p> <p><b>10</b> = D.P. Switch</p> <p>Double Pole Neon Switch:</p> <p><b>11</b> = D.P. Red Neon Switch  <b>12</b> = D.P. Green Neon Switch</p> <p>Double Pole High Inrush Switch:</p> <p><b>13</b> = D.P. High Inrush Switch</p> <p>Double Pole Switch Marked I/O:</p> <p><b>70</b> = D.P. Switch (I/O)</p> <p>Double Pole Neon Switch Marked (I/O):</p> <p><b>76</b> = D.P. Red Neon Switch (I/O)  <b>77</b> = D.P. Green Neon Switch (I/O)</p> <p>Double Pole High Inrush Switch Marked (I/O):</p> <p><b>78</b> = D.P. High Inrush Switch (I/O)  <b>B1</b> = D.P. High Inrush Green Neon Switch (I/O)</p>

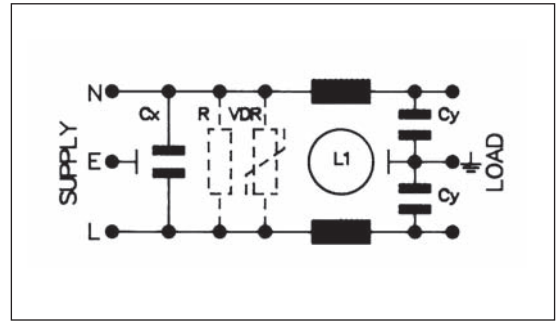
Note: For technical details of individual components please see page 106

**C14 IEC Inlet - Standard Filter**

**EMI FILTER OPTIONS**



- For Polysnap modules BZV03, BZV04, BZV09, BZV10, BZV17, BZV18, BZH09, BZH10, BZH17, BZH18, BZM27, BZM28
- PX0575 style IEC inlet
- Using PS01/A style filter
- Standard Attenuation Filter



**Bxxxx/A xx x x / xx**



Polysnap Part No.	Filter Type	Rating	L/C Circuit	Additional Components	Polysnap Part No.
From Polysnap Selection	A = Standard	01 = 1A 03 = 3A 06 = 6A 10 = 10A	1 = Version 1 2 = Version 2 3 = Version 3	0 = None 1 = Bleed (R) Resistor 2 = Surge (VDR) Protection 3 = "R" plus "VDR"	From Polysnap Selection

Rating	Version	L1	Cx	Cy
1 AMP	1	2 x 2.8mH	1 x 15nF	2 x 2.2nF
"	2	2 x 10mH	1 x 15nF	2 x 2.2nF
"	3	2 x 10mH	1 x 47nF	2 x 2.2nF
3 AMP	1	2 x 0.75mH	1 x 15nF	2 x 2.2nF
"	2	2 x 1.8mH	1 x 15nF	2 x 2.2nF
"	3	2 x 1.8mH	1 x 47nF	2 x 2.2nF
6 AMP	1	2 x 0.3mH	1 x 15nF	2 x 2.2nF
"	2	2 x 0.7mH	1 x 15nF	2 x 2.2nF
"	3	2 x 0.7mH	1 x 47nF	2 x 2.2nF
10 AMP	1	2 x 0.17mH	1 x 15nF	2 x 2.2nF
"	2	2 x 0.35mH	1 x 15nF	2 x 2.2nF
"	3	2 x 0.17mH	1 x 47nF	2 x 2.2nF

**Part No. Example**

**BZV03/A0120/02 =**  
 BZV style Polysnap module with PX0575 IEC power inlet, filter rated at 1 amp, L/C circuit version 2 (L1 = 2 x 10mH, Cx = 1 x 15nF, Cy = 2 x 2.2nF), without bleed resistor or surge protection device fitted, 6.3mm tabs and single pole red neon switch.

**Filter Specification**

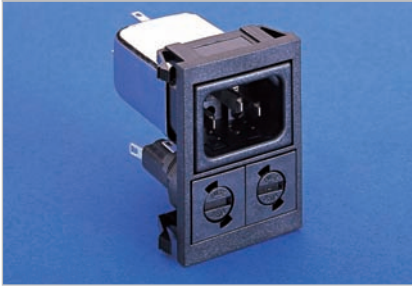
Max. Working Voltage:	250V a.c. 50-400Hz
Earth Leakage Current:	<0.35mA (250V. 50Hz)
Temperature Range:	-25°C to +85°C
Max. Ambient Temp.: (@ Full Load)	40°C (derate linearly to 0A @ 85°C)
Test Voltage:	2700V d.c. 2 secs. Lines to Earth 1100V d.c. 2 secs. Live to Neutral
Approvals:	
Attenuation Curves:	See PS01/A filter, page 132

IEC CONNECTORS

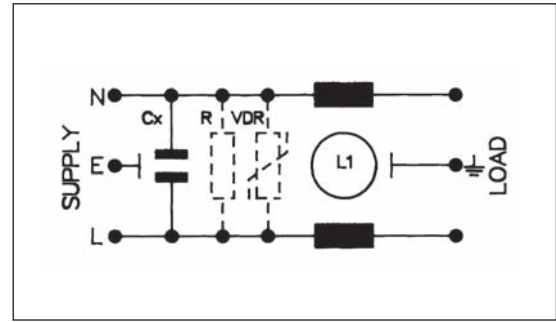


C14 IEC Inlet - Medical Filter

EMI FILTER OPTIONS



- For Polysnap modules BZV03, BZV04, BZV09, BZV10, BZV17, BZV18, BZH09, BZH10, BZH17, BZH18, BZM27, BZM28
- PX0575 style IEC inlet
- Using PS01/B style filter
- Medical Filter



**Bxxxx/Bxx x x / xx**

Polysnap Part No.	Filter Type	Rating	L/C Circuit	Additional Components	Polysnap Part No.
From Polysnap Selection	B = Medical	01 = 1A 03 = 3A 06 = 6A 10 = 10A	1 = Version 1 2 = Version 2 3 = Version 3	0 = None 1 = Bleed (R) Resistor 2 = Surge (VDR) Protection 3 = "R" plus "VDR"	From Polysnap Selection

IEC CONNECTORS

Rating	Version	L1	Cx
1 AMP	1	2 x 2.8mH	1 x 15nF
"	2	2 x 10mH	1 x 15nF
"	3	2 x 10mH	1 x 47nF
3 AMP	1	2 x 0.75mH	1 x 15nF
"	2	2 x 1.8mH	1 x 15nF
"	3	2 x 1.8mH	1 x 47nF
6 AMP	1	2 x 0.3mH	1 x 15nF
"	2	2 x 0.7mH	1 x 15nF
"	3	2 x 0.7mH	1 x 47nF
10 AMP	1	2 x 0.17mH	1 x 15nF
"	2	2 x 0.35mH	1 x 15nF
"	3	2 x 0.17mH	1 x 47nF

**Part No. Example**

**BZV04/B0322/04 =**

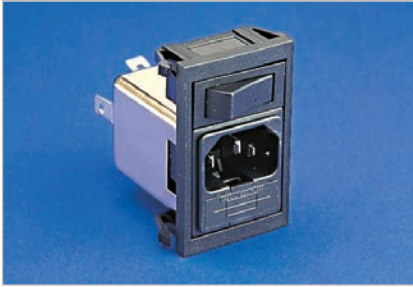
BZV style Polysnap module with PX0575 IEC power inlet, filter rated at 3 amps, L/C circuit version 2 (L1 = 2 x 1.8mH, Cx = 1 x 15nF), without bleed resistor, with surge protection device fitted, 2.8mm tabs and two fuseholders.

**Filter Specification**

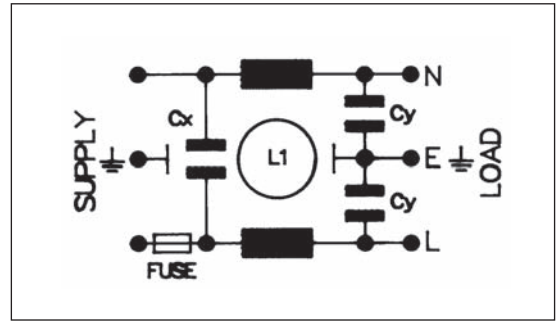
Max. Working Voltage:	250V a.c. 50-400Hz
Earth Leakage Current:	<100µA (typically 5µA, 250V. 50Hz)
Temperature Range:	-25°C to +85°C
Max. Ambient Temp.: (@ Full Load)	40°C (derate linearly to 0A @ 85°C)
Test Voltage:	2700V d.c. 2 secs. Lines to Earth 1100V d.c. 2 secs. Live to Neutral
Approvals:	
Attenuation Curves:	See PS01/B filter, page 134

C14 Inlet Single Fuse - Standard Filter

EMI FILTER OPTIONS



- For Polysnap modules BZV01, BZV02, BZH01, BZH02, BZH11, BZH12, BZH19, BZH20, BVA01, BVA02, BVB01, BVB02
- PF0011 style single fuse IEC inlet
- Using PS21/A style filter
- Standard Attenuation Filter



**Bxxxx/A xx x x / xx**

Polysnap Part No.	Filter Type	Rating	L/C Circuit	Additional Components	Polysnap Part No.
From Polysnap Selection	A = Standard	01 = 1A 03 = 3A 06 = 6A	2 = Version 2 3 = Version 3	0 = None	From Polysnap Selection

Rating	Version	L1	Cx	Cy
1 AMP	1			
"	2			
"	3	2 x 12mH	1 x 47nF	2 x 2.2nF
3 AMP	1			
"	2	2 x 1.8mH	1 x 15nF	2 x 2.2nF
"	3	2 x 6.5mH	1 x 47nF	2 x 2.2nF
6 AMP	1			
"	2	2 x 0.7mH	1 x 15nF	2 x 2.2nF
"	3	2 x 2mH	1 x 47nF	2 x 2.2nF
10 AMP	1			
"	2			
"	3			

Part No. Example

**BZV01/A0630/01 =**

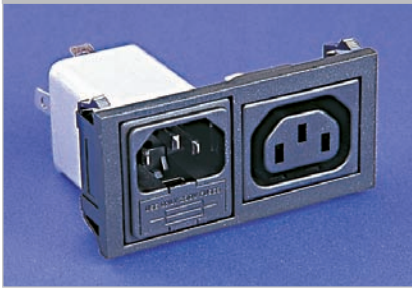
BZV style Polysnap module with PF0011 single fused (5 x 20mm) IEC power inlet, filter rated at 6 amp, L/C circuit version 3 (L1 = 2 x 2.0mH, Cx = 1 x 47nF, Cy = 2 x 2.2nF), 6.3mm tabs and single pole switch.

Filter Specification

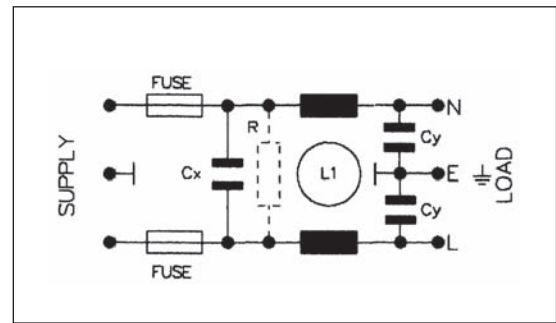
Max. Working Voltage:	250V a.c. 50-400Hz
Earth Leakage Current:	<0.35mA (250V. 50Hz)
Temperature Range:	-25°C to +85°C
Max. Ambient Temp.: (@ Full Load)	40°C (derate linearly to 0A @ 85°C)
Test Voltage:	2700V d.c. 2 secs. Lines to Earth 1100V d.c. 2 secs. Live to Neutral
Approvals:	
Attenuation Curves:	See PS21/A filter, page 140

C14 Inlet Twin Fuse - Standard Filter

EMI FILTER OPTIONS



- For Polysnap modules BZV15, BZV16, BZH13, BZH14, BZH15, BZH16, BZH21, BZH22, BVA15, BVA16, BVB15, BVB16
- PF0033 style twin fuse IEC inlet
- Using PS26/A filter
- Standard Attenuation Filter



**Bxxxx/A xx x x / xx**

Polysnap Part No.	Filter Type	Rating	L/C Circuit	Additional Components	Polysnap Part No.
From Polysnap Selection	A = Standard	02 = 2A 04 = 4A	2 = Version 2	0 = None 1 = Bleed (R) Resistor	From Polysnap Selection

IEC CONNECTORS

Rating	Version	L1	Cx	Cy	Part No. Example
2 AMP	1				<b>BZH13/A0420/00 =</b> BZH style Polysnap module with PF0033 twin fused (5 x 20mm) IEC power inlet, filter rated at 4 amps, L/C circuit version 2 (L1 = 2 x 0.7mH, Cx = 1 x 15nF, Cy = 2 x 2.2nF), without bleed resistor fitted, 6.3mm tabs and no additional components.
"	2	2 x 1.8mH	1 x 15nF	2 x 2.2nF	
"	3				
4 AMP	1				
"	2	2 x 0.7mH	1 x 15nF	2 x 2.2nF	
"	3				

**Filter Specification**

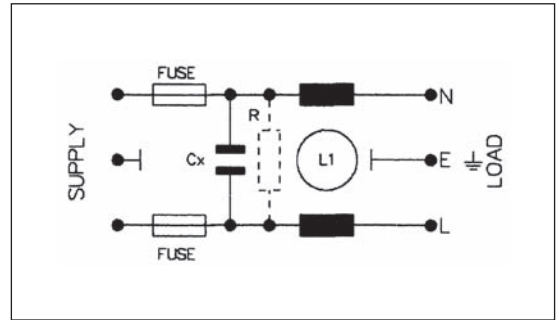
Max. Working Voltage:	250V a.c. 50-400Hz
Earth Leakage Current:	<0.35mA (250V. 50Hz)
Temperature Range:	-25°C to +85°C
Max. Ambient Temp.: (@ Full Load)	40°C (derate linearly to 0A @ 85°C)
Test Voltage:	2700V d.c. 2 secs. Lines to Earth 1100V d.c. 2 secs. Live to Neutral
Approvals:	
Attenuation Curves:	See PS26/A filter, page 142

**C14 Inlet Twin Fuse - Medical Filter**

**EMI FILTER OPTIONS**



- For Polysnap modules BZV15, BZV16, BZH13, BZH14, BZH15, BZH16, BZH21, BZH22, BVA15, BVA16, BVB15, BVB16
- PF0033 style twin fuse IEC inlet
- Using PS26/B style filter
- Medical Attenuation Filter



**Bxxxx/Bxx x x / xx**



Polysnap Part No.	Filter Type	Rating	L/C Circuit	Additional Components	Polysnap Part No.
From Polysnap Selection	B = Medical	02 = 2A 04 = 4A	2 = Version 2	0 = None 1 = Bleed (R) Resistor	From Polysnap Selection

Rating	Version	L1	Cx
2 AMP	1		
"	2	2 x 1.8mH	1 x 15nF
"	3		
4 AMP	1		
"	2	2 x 0.7mH	1 x 15nF
"	3		

**Part No. Example**

**BZH15/B0221/01 =**  
 BZH style Polysnap module with PF0033 twin fused (5 x 20mm) IEC power inlet, filter rated at 2 amp, L/C circuit version 2 (L1 = 2 x 1.8mH, Cx = 1 x 15nF), with bleed resistor fitted, 6.3mm tabs and single pole switch.

**Filter Specification**

Max. Working Voltage:	250V a.c. 50-400Hz
Earth Leakage Current:	<100µA (typically 5µA 250V. 50Hz)
Temperature Range:	-25°C to +85°C
Max. Ambient Temp.: (@ Full Load)	40°C (derate linearly to 0A @ 85°C)
Test Voltage:	2700V d.c. 2 secs. Lines to Earth 1100V d.c. 2 secs. Live to Neutral
Approvals:	
Attenuation Curves:	See PS26/B filter, page 144







# Mains Filters

Designed to reduce conducted mains borne EMI, this extensive range provides many solutions to EMI problems. To meet individual design requirements the filters are available with two attenuation options – standard and medical. Current ratings are from 1 to 10 amps with single or twin fused types also available.

The choice of mounting options will suit most applications with flange, snap to panel or base/bulkhead.

Type	Page
<b>Flange and Snap Fit</b>	
PS00 Series	132-135
PS01 Series	132-135
<b>Base Mounting and Bulkhead</b>	
PS02 Series	136-139
PS03 Series	139-139
<b>Fused Inlets</b>	
PS20 Series	140-141
PS21 Series	140-141
PS25 Series	142-145
PS26 Series	142-145

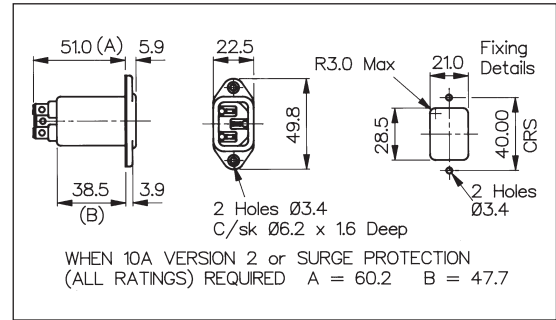
IEC Power Inlets Flange and Snap Fit

PANEL MOUNTING



Flange PS00/A

- 1, 3, 6 or 10 Amp Current Rating
- 3 Alternative Circuits
- Optional Additional Components
- 2.8 or 6.3mm tabs

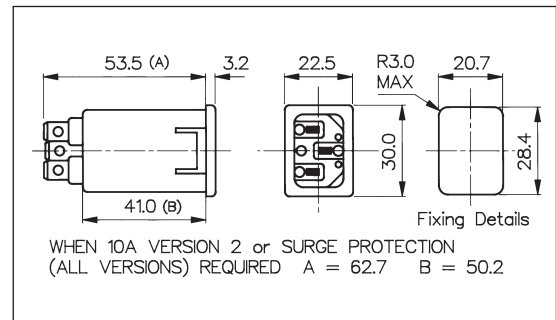


SNAP FIT

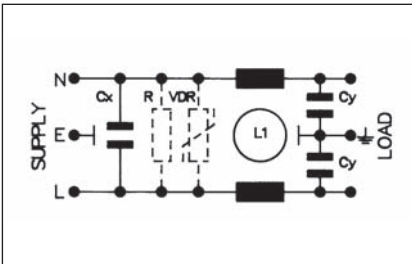


Snap Fit PS01/A

- 1, 3, 6 or 10 Amp Current Rating
- 3 Alternative Circuits
- Optional Additional Components
- 2.8 or 6.3mm tabs
- 1, 1.5, 2 or 3mm panels



PS00 or PS01/Axx xx /xx xx



Series	Rating	L/C Circuit	Additional Components	Tag Type and Configuration	Panel Thickness
PS00/A	01 = 1A	1 = Version 1	0 = None	28 = 2.8mm	00 = Flange
PS01/A	03 = 3A	2 = Version 2	1 = Bleed (R) Resistor	63 = 6.3mm tabs	10 = 1.0mm
	06 = 6A	3 = Version 3	2 = Surge (VDR) Protection		15 = 1.5mm
	10 = 10A		3 = "R" plus "VDR"		20 = 2.0mm
					30 = 3.0mm

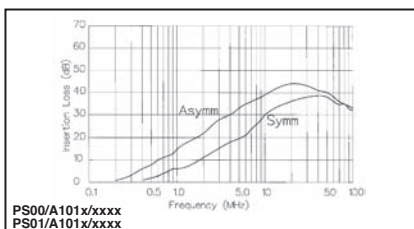
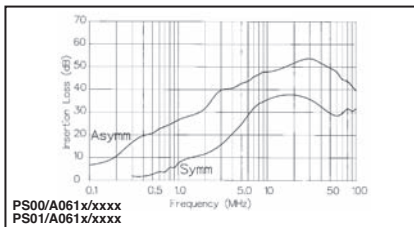
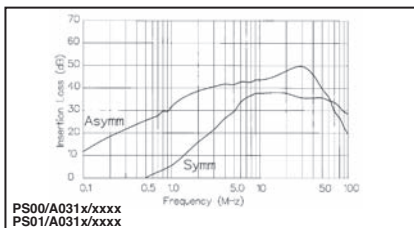
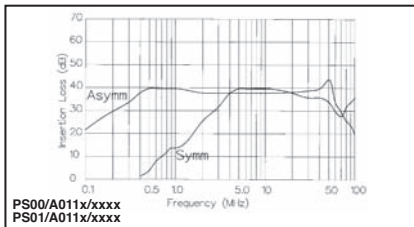
Specification	PS00/Axxxx/xx00	PS01/Axxxx/xxxx	Part No. Example
Max. Working Voltage:	250V a.c. 50-400Hz	250V a.c. 50-400Hz	<b>PS00/A0120/6300 =</b> PS00 series, flange fitting, standard filtered IEC power inlet, rated at 1 ampere. L/C circuit version 2, i.e. L1 = 2 x 10mH, Cx = 15nF, Cy = 2 x 2.2nF, without bleed resistor or surge protection device fitted, with 6.3mm tabs.
Earth Leakage Current:	<0.35mA (250V, 50Hz)	<0.35mA (250V, 50Hz)	
Temperature Range:	-25°C to +85°C	-25°C to +85°C	
Max. Ambient Temp.: (@ Full Load)	40°C (derate linearly to 0A @ 85°C)	40°C (derate linearly to 0A @ 85°C)	
Test Voltage:	2700V d.c. 2 secs. Lines to Earth 1100V d.c. 2 secs. Live to Neutral	2700V d.c. 2 secs. Lines to Earth 1100V d.c. 2 secs. Live to Neutral	
Approvals:			
Mating Connectors:	PX0587, PX0587/SE, PX0588	PX0587, PX0587/SE, PX0588	
<b>RoHS</b>	Compliant	Compliant	

**Rating & Version Table**

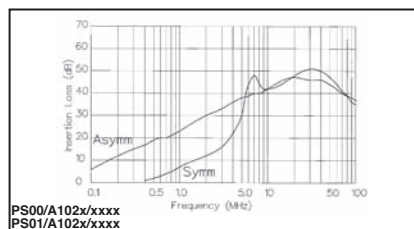
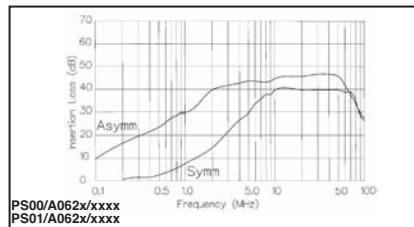
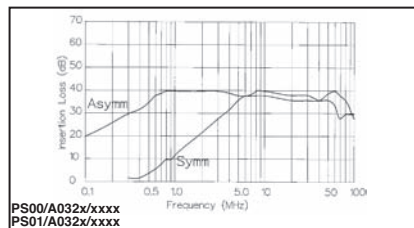
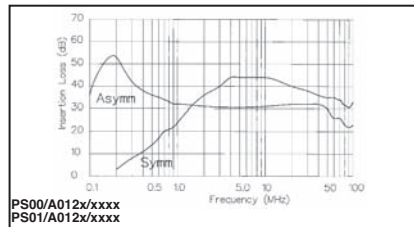
**PS00/Axxxx/xx00 & PS01/Axxxx/xxxx**

Rating	Version	L1	Cx	Cy
1 AMP	1	2 x 2.8mH	1 x 15nF	2 x 2.2nF
	2	2 x 10mH	1 x 15nF	2 x 2.2nF
	3	2 x 10mH	1 x 47nF	2 x 2.2nF
3 AMP	1	2 x 0.75mH	1 x 15nF	2 x 2.2nF
	2	2 x 1.8mH	1 x 15nF	2 x 2.2nF
	3	2 x 1.8mH	1 x 47nF	2 x 2.2nF
6 AMP	1	2 x 0.3mH	1 x 15nF	2 x 2.2nF
	2	2 x 0.7mH	1 x 15nF	2 x 2.2nF
	3	2 x 0.7mH	1 x 47nF	2 x 2.2nF
10 AMP	1	2 x 0.17mH	1 x 15nF	2 x 2.2nF
	2	2 x 0.35mH	1 x 15nF	2 x 2.2nF
	3	2 x 0.17mH	1 x 47nF	2 x 2.2nF

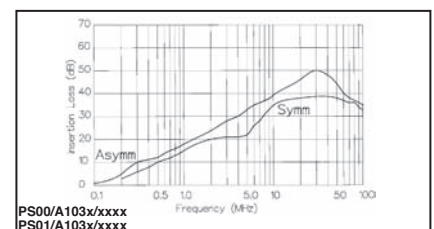
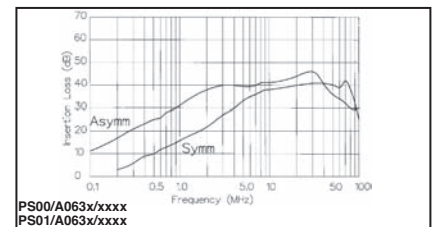
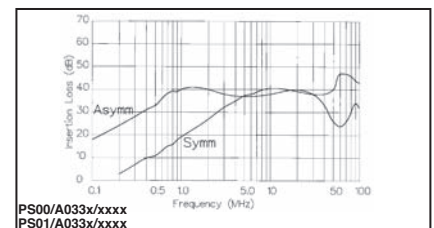
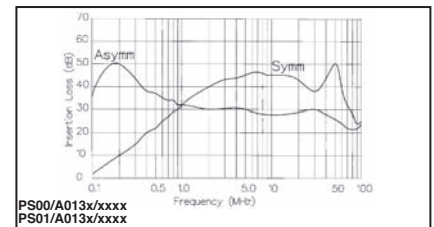
**Version 1**



**Version 2**



**Version 3**



IEC CONNECTORS

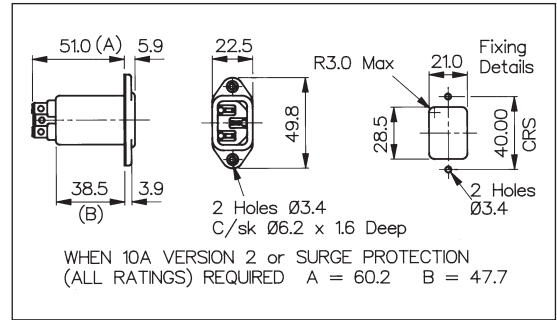
Medical IEC Power Inlets Flange and Snap Fit

PANEL MOUNTING



Flange PS00/B

- 1, 3, 6 or 10 Amp Current Rating
- Medical
- 3 Alternative Circuits
- Optional Additional Components
- 2.8 or 6.3mm tabs

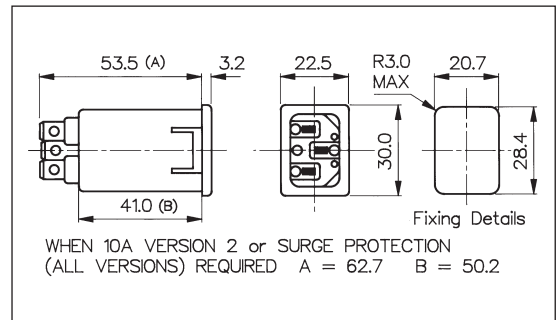


SNAP FIT

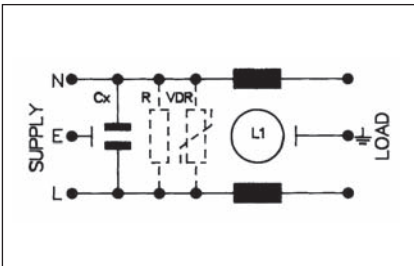


Snap Fit PS01/B

- 1, 3, 6 or 10 Amp Current Rating
- Medical
- 3 Alternative Circuits
- Optional Additional Components
- 2.8 or 6.3mm tabs
- 1, 1.5, 2 or 3mm panels



PS00 or PS01/Bxx xx /xx xx



Series	Rating	L/C Circuit	Additional Components	Tag Type and Configuration	Panel Thickness
PS00/B	01 = 1A	1 = Version 1	0 = None	28 = 2.8mm	00 = Flange
PS01/B	03 = 3A	2 = Version 2	1 = Bleed (R) Resistor	63 = 6.3mm tabs	10 = 1.0mm
	06 = 6A	3 = Version 3	2 = Surge (VDR) Protection		15 = 1.5mm
	10 = 10A		3 = "R" plus "VDR"		20 = 2.0mm
					30 = 3.0mm

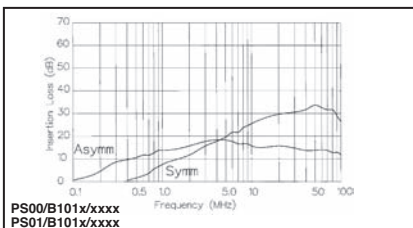
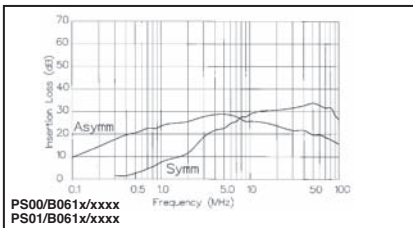
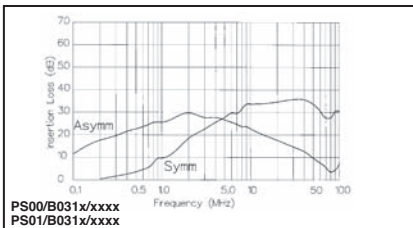
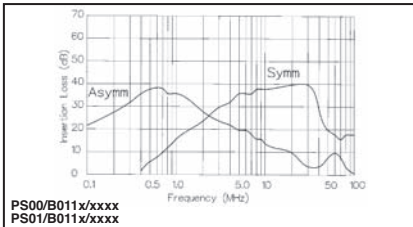
Specification	PS00/Bxxxx/xx00	PS01/Bxxxx/xxxx	Part No. Example
Max. Working Voltage:	250V a.c. 50-400Hz	250V a.c. 50-400Hz	<b>PS00/B0120/6300 =</b> PS00 series, flange fitting, filtered IEC power inlet, for medical applications, rated at 1 ampere. L/C circuit version 2, i.e. L1 = 2 x 10mH, Cx = 15nF, without bleed resistor or surge protection device fitted, with 6.3mm tabs.
Earth Leakage Current:	<100µA (typically 5µA 250V, 50Hz)	<100µA (typically 5µA 250V, 50Hz)	
Temperature Range:	-25°C to +85°C	-25°C to +85°C	
Max. Ambient Temp.: (@ Full Load)	40°C (derate linearly to 0A @ 85°C)	40°C (derate linearly to 0A @ 85°C)	
Test Voltage:	2700V d.c. 2 secs. Lines to Earth 1100V d.c. 2 secs. Live to Neutral	2700V d.c. 2 secs. Lines to Earth 1100V d.c. 2 secs. Live to Neutral	
Approvals:			
Mating Connectors:	PX0587, PX0587/SE, PX0588	PX0587, PX0587/SE, PX0588	
<b>RoHS</b>	Compliant	Compliant	

**Rating & Version Table**

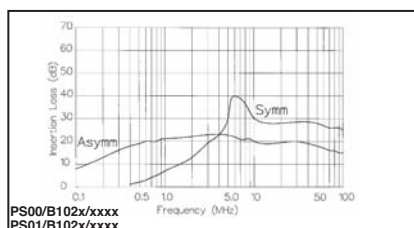
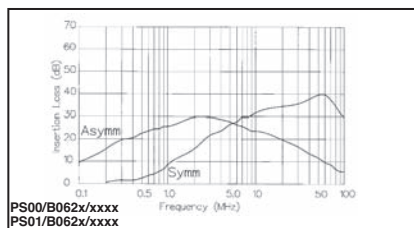
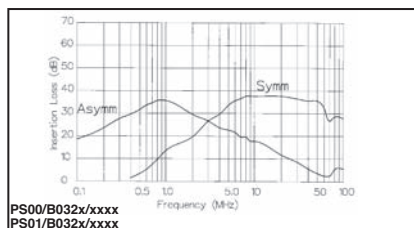
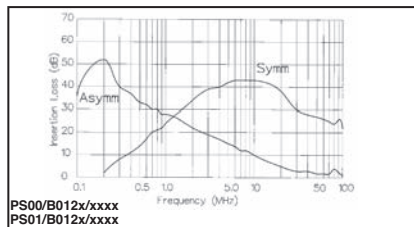
**PS00/Bxxxx/xx00 & PS01/Bxxxx/xxxx**

Rating	Version	L1	Cx
1 AMP	1	2 x 2.8mH	1 x 15nF
"	2	2 x 10mH	1 x 15nF
"	3	2 x 10mH	1 x 47nF
3 AMP	1	2 x 0.75mH	1 x 15nF
"	2	2 x 1.8mH	1 x 15nF
"	3	2 x 1.8mH	1 x 47nF
6 AMP	1	2 x 0.3mH	1 x 15nF
"	2	2 x 0.7mH	1 x 15nF
"	3	2 x 0.7mH	1 x 47nF
10 AMP	1	2 x 0.17mH	1 x 15nF
"	2	2 x 0.35mH	1 x 15nF
"	3	2 x 0.17mH	1 x 47nF

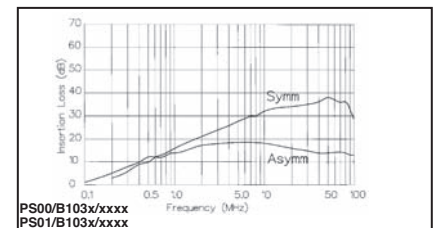
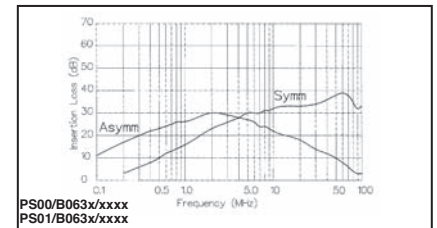
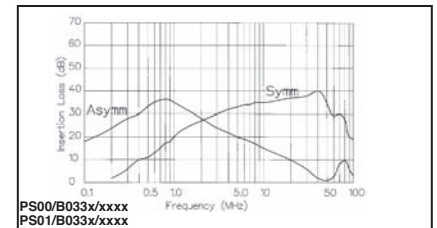
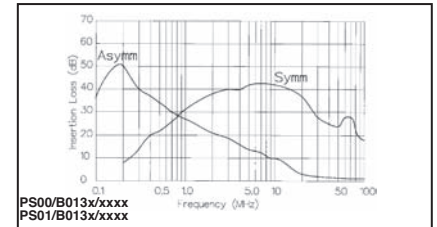
**Version 1**



**Version 2**



**Version 3**



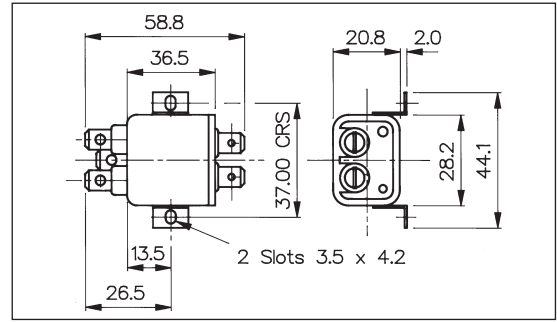


Base Mounting and Bulkhead

BASE MOUNTING



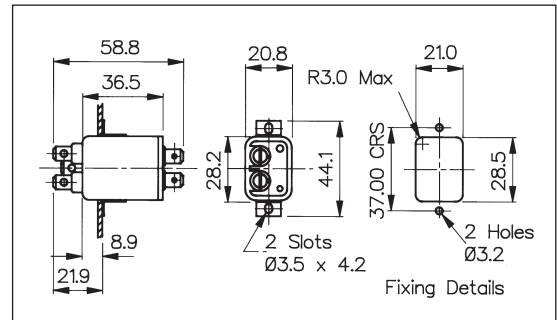
- 1, 3, 6 or 10 Amp Current Rating
- 3 Alternative Circuits
- Optional Additional Components
- 2.8 or 6.3mm tabs



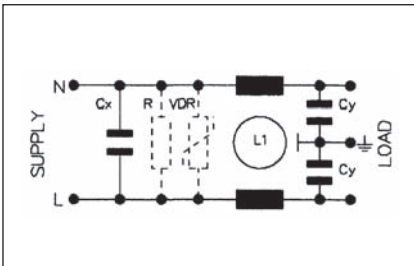
BULKHEAD MOUNTING



- 1, 3, 6 or 10 Amp Current Rating
- 3 Alternative Circuits
- Optional Additional Components
- 2.8 or 6.3mm tabs



PS02 or PS03/Axx xx /xx



Series	Rating	L/C Circuit	Additional Components	Tag Type and Configuration
PS02/A	01 = 1A	1 = Version 1	0 = None	28 = 2.8mm
PS03/A	03 = 3A	2 = Version 2	1 = Bleed (R) Resistor	63 = 6.3mm tabs
	06 = 6A	3 = Version 3	2 = Surge (VDR) Protection	
	10 = 10A		3 = "R" plus "VDR"	

Specification	PS02/Axxxx/xx	PS03/Axxxx/xx	Part No. Example
Max. Working Voltage:	250V a.c. 50-400Hz	250V a.c. 50-400Hz	<b>PS02/A0311/28 =</b> PS02 series, standard base mounting filter, rated at 3 amperes. L/C circuit version 1, i.e. L1 = 2 x 0.75mH, Cx = 15nF, Cy = 2 x 2.2nF. with bleed resistor fitted, with 2.8mm tabs.
Earth Leakage Current:	<0.35mA (250V, 50Hz)	<0.35mA (250V, 50Hz)	
Temperature Range:	-25°C to +85°C	-25°C to +85°C	
Max. Ambient Temp.: (@ Full Load)	40°C (derate linearly to 0A @ 85°C)	40°C (derate linearly to 0A @ 85°C)	
Test Voltage:	2700V d.c. 2 secs. Lines to Earth 1100V d.c. 2 secs. Live to Neutral	2700V d.c. 2 secs. Lines to Earth 1100V d.c. 2 secs. Live to Neutral	
Approvals:			
	Compliant	Compliant	

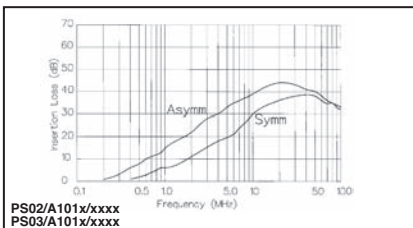
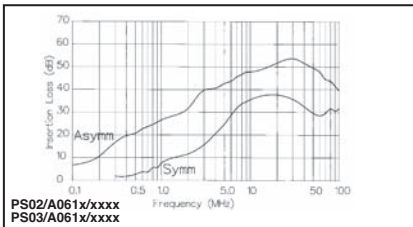
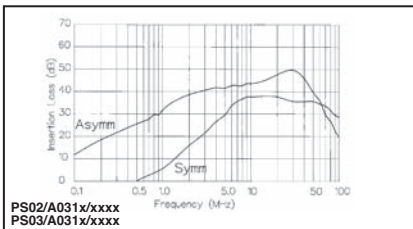
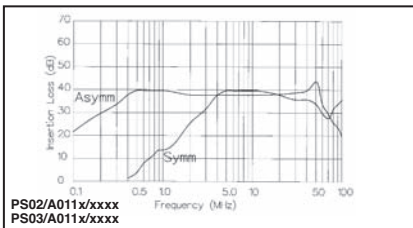
IEC CONNECTORS



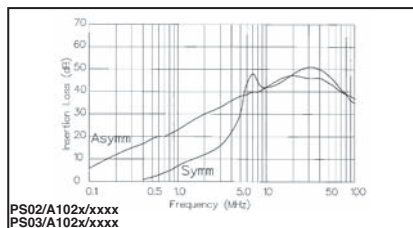
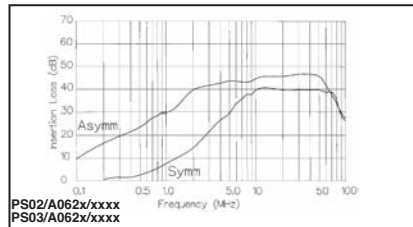
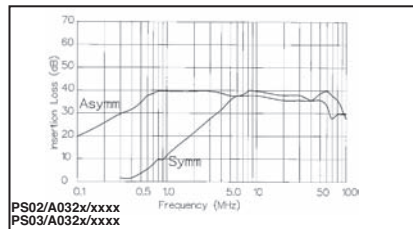
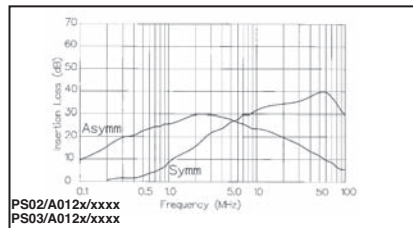
**Rating & Version Table**  
**PS02/Axxxx/xx & PS03/Axxxx/xx**

Rating	Version	L1	Cx	Cy
1 AMP	1	2 x 2.8mH	1 x 15nF	2 x 2.2nF
"	2	2 x 10mH	1 x 15nF	2 x 2.2nF
"	3	2 x 10mH	1 x 47nF	2 x 2.2nF
3 AMP	1	2 x 0.75mH	1 x 15nF	2 x 2.2nF
"	2	2 x 1.8mH	1 x 15nF	2 x 2.2nF
"	3	2 x 1.8mH	1 x 47nF	2 x 2.2nF
6 AMP	1	2 x 0.3mH	1 x 15nF	2 x 2.2nF
"	2	2 x 0.7mH	1 x 15nF	2 x 2.2nF
"	3	2 x 0.7mH	1 x 47nF	2 x 2.2nF
10 AMP	1	2 x 0.17mH	1 x 15nF	2 x 2.2nF
"	2	2 x 0.35mH	1 x 15nF	2 x 2.2nF
"	3	2 x 0.17mH	1 x 47nF	2 x 2.2nF

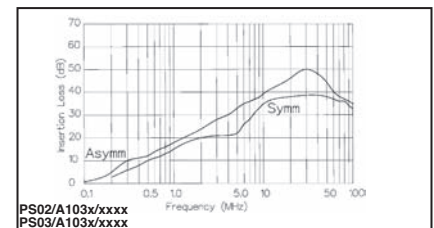
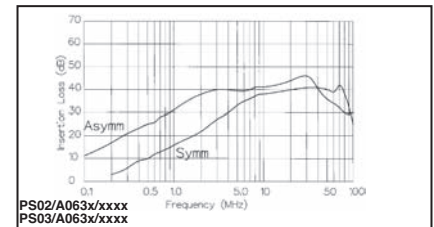
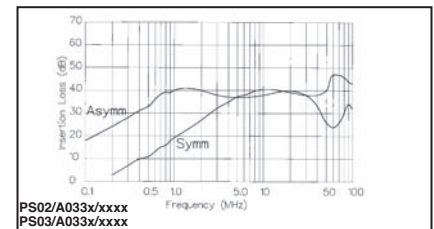
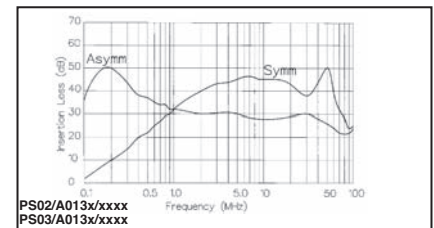
**Version 1**



**Version 2**

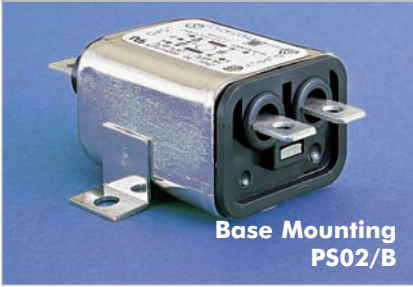


**Version 3**

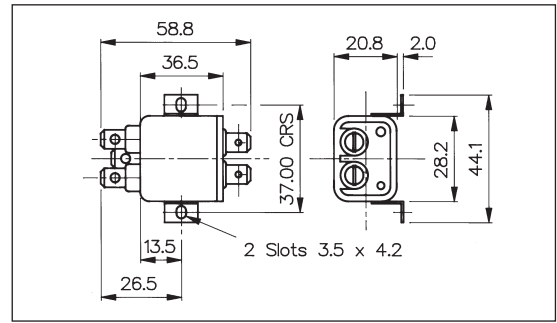


Medical Base Mounting and Bulkhead

BASE MOUNTING



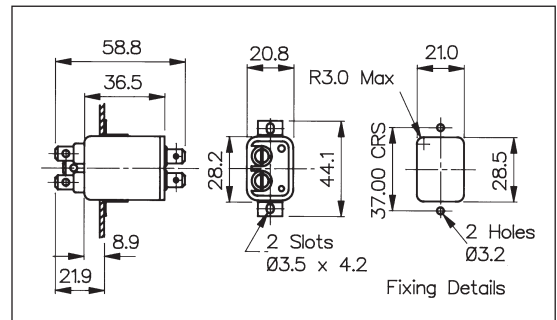
- 1, 3, 6 or 10 Amp Current Rating
- Medical
- 3 Alternative Circuits
- Optional Additional Components
- 2.8 or 6.3mm tabs



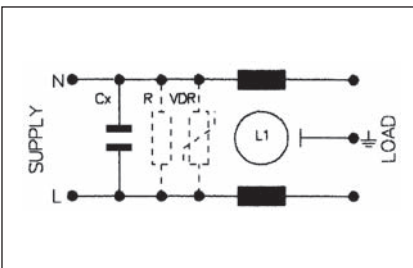
BULKHEAD MOUNTING



- 1, 3, 6 or 10 Amp Current Rating
- Medical
- 3 Alternative Circuits
- Optional Additional Components
- 2.8 or 6.3mm tabs



PS02 or PS03/Bxx xx /xx



Series	Rating	L/C Circuit	Additional Components	Tag Type and Configuration
PS02/B	01 = 1A	1 = Version 1	0 = None	28 = 2.8mm
PS03/B	03 = 3A	2 = Version 2	1 = Bleed (R) Resistor	63 = 6.3mm tabs
	06 = 6A	3 = Version 3	2 = Surge (VDR) Protection	
	10 = 10A		3 = "R" plus "VDR"	

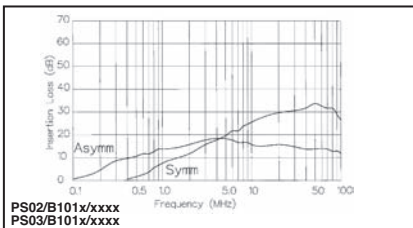
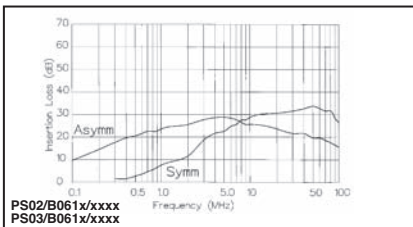
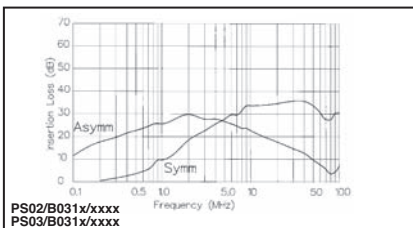
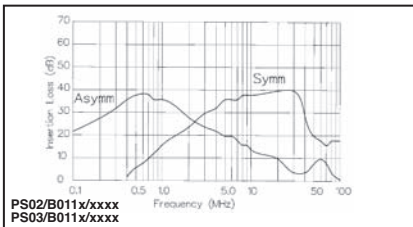
Specification	PS02/Bxxxx/xx	PS03/Bxxxx/xx	Part No. Example
Max. Working Voltage:	250V a.c. 50-400Hz	250V a.c. 50-400Hz	<b>PS03/B0630/63 =</b> PS03 series, bulkhead mounting for medical applications, rated at 6 amperes. L/C circuit version 3, i.e. L1 = 2 x 0.7mH, Cx = 47nF, without bleed resistor or surge protection device fitted, with 6.3mm tabs.
Earth Leakage Current:	<100µA (typically 5µA 250V, 50Hz)	<100µA (typically 5µA 250, 50Hz)	
Temperature Range:	-25°C to +85°C	-25°C to +85°C	
Max. Ambient Temp.: (@ Full Load)	40°C (derate linearly to 0A @ 85°C)	40°C (derate linearly to 0A @ 85°C)	
Test Voltage:	2700V d.c. 2 secs. Lines to Earth 1100V d.c. 2 secs. Live to Neutral	2700V d.c. 2 secs. Lines to Earth 1100V d.c. 2 secs. Live to Neutral	
Approvals:	 Compliant	 Compliant	

**Rating & Version Table**

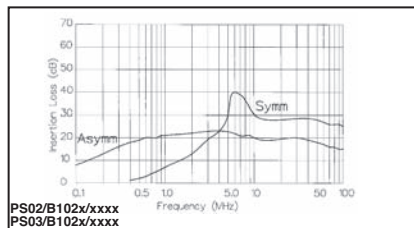
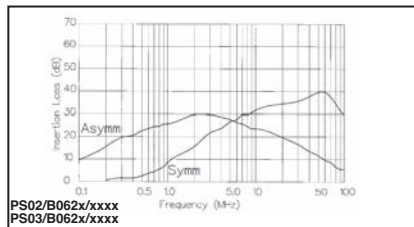
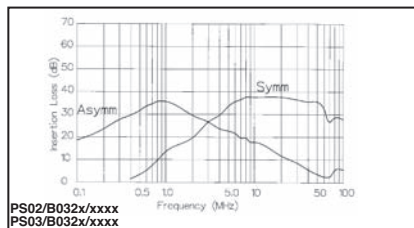
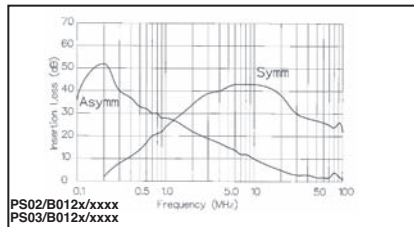
**PS02/Bxxxx/xx & PS03/Bxxxx/xx**

Rating	Version	L1	Cx
1 AMP	1	2 x 2.8mH	1 x 15nF
"	2	2 x 10mH	1 x 15nF
"	3	2 x 10mH	1 x 47nF
3 AMP	1	2 x 0.75mH	1 x 15nF
"	2	2 x 1.8mH	1 x 15nF
"	3	2 x 1.8mH	1 x 47nF
6 AMP	1	2 x 0.3mH	1 x 15nF
"	2	2 x 0.7mH	1 x 15nF
"	3	2 x 0.7mH	1 x 47nF
10 AMP	1	2 x 0.17mH	1 x 15nF
"	2	2 x 0.35mH	1 x 15nF
"	3	2 x 0.17mH	1 x 47nF

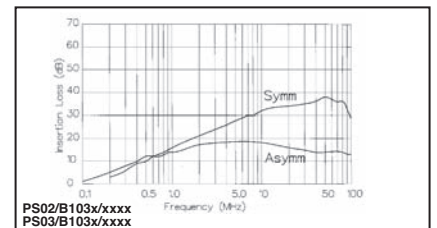
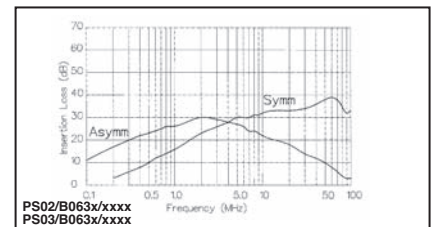
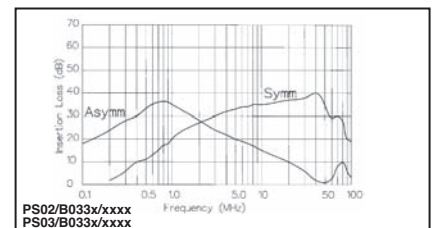
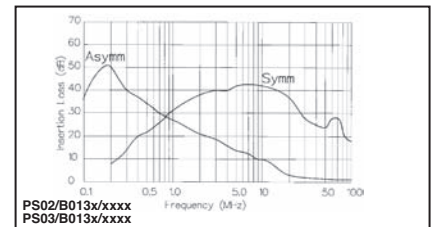
**Version 1**



**Version 2**



**Version 3**



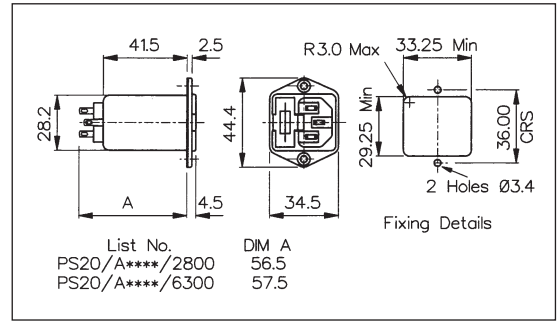
IEC CONNECTORS

IEC Power Inlets (Single Fused)

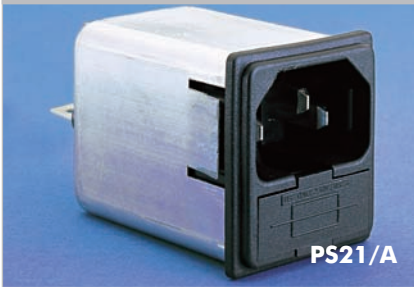
PANEL MOUNTING



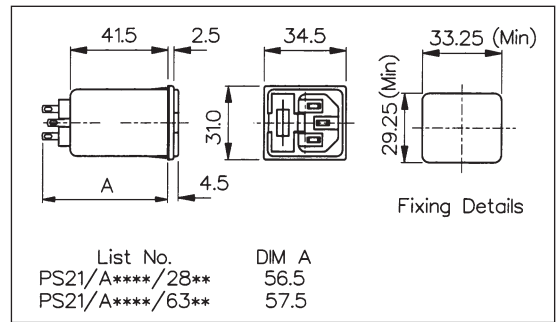
- 1, 3, or 6 Amp Current Rating
- Single Fused
- 2 Alternative Circuits
- 2.8 or 6.3mm tabs



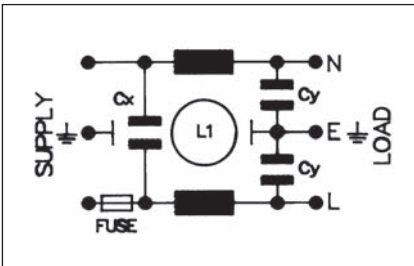
SNAP FIT



- 1, 3, or 6 Amp Current Rating
- Single Fused
- 2 Alternative Circuits
- 2.8 or 6.3mm tabs
- 1, 1.5, 2 or 3mm panels



PS20 or PS21/Axx xx /xx xx



Series	Rating	L/C Circuit	Additional Components	Tag Type and Configuration	Panel Thickness
PS20/A	01 = 1A	3 = Version 3	0 = None	28 = 2.8mm	Blank = Flange
PS21/A	03 = 3A	2 = Version 2	0 = None	63 = 6.3mm tabs	10 = 1.0mm
	06 = 6A	3 = Version 3			15 = 1.5mm
					20 = 2.0mm
					30 = 3.0mm

Specification	PS20/Axxx0/xx00	PS21/Axxx0/xxxx	Part No. Example
Max. Working Voltage:	250V a.c. 50-400Hz	250V a.c. 50-400Hz	<b>PS20/A0620/63 =</b> PS20 series, flange fitting, standard filtered IEC power inlet, single fused, rated at 6 amperes. L/C circuit version 2, i.e L1 = 2 x 0.7mH, Cx = 1 x 15nF, Cy = 2 x 2.2nF. Without bleed resistor or surge protection device fitted, with 6.3mm tabs.
Earth Leakage Current:	<0.35mA (250V, 50Hz)	<0.35mA (250V, 50Hz)	
Temperature Range:	-25°C to +85°C	-25°C to +85°C	
Max. Ambient Temp.: (@ Full Load)	40°C (derate linearly to 0A @ 85°C)	40°C (derate linearly to 0A @ 85°C)	
Test Voltage:	2700V d.c. 2 secs. Lines to Earth 1100V d.c. 2 secs. Live to Neutral	2700V d.c. 2 secs. Lines to Earth 1100V d.c. 2 secs. Live to Neutral	
Approvals:			
Mating Connectors:	PX0587, PX0587/SE, PX0588	PX0587, PX0587/SE, PX0588	
Accessories:	P.No. 14340 (see page 96)	P.No. 14340 (see page 96)	
RoHS	Compliant	Compliant	

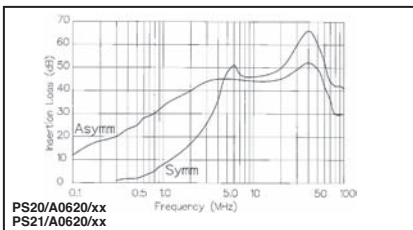
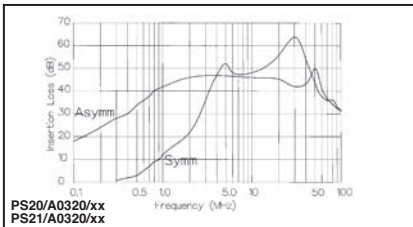
IEC CONNECTORS

**Rating & Version Table**

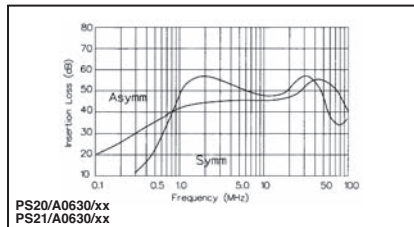
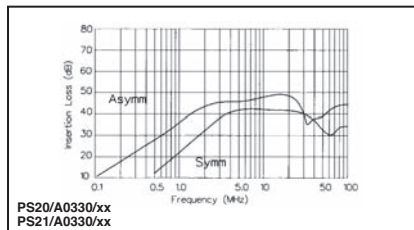
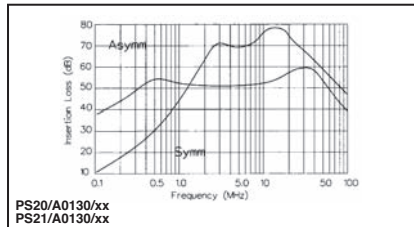
**PS20/Axxx0/xx00 & PS21/Axxx0/xxxx**

Rating	Version	L1	Cx	Cy
1 AMP	1			
"	2			
"	3	2 x 10mH	1 x 47nF	2 x 2.2nF
3 AMP	1			
"	2	2 x 1.8mH	1 x 15nF	2 x 2.2nF
"	3	2 x 6.5mH	1 x 47nF	2 x 2.2nF
6 AMP	1			
"	2	2 x 0.7mH	1 x 15nF	2 x 2.2nF
"	3	2 x 2mH	1 x 47nF	2 x 2.2nF

**Version 2**



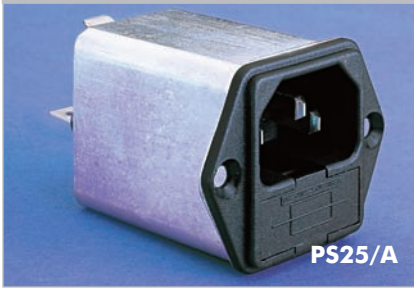
**Version 3**



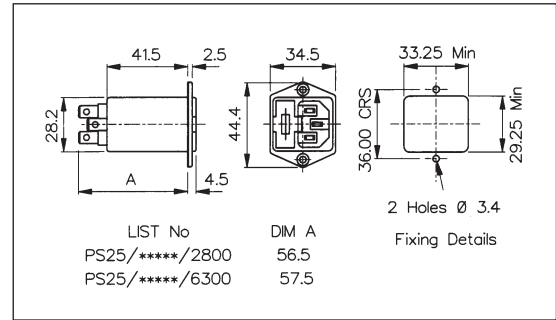


IEC Power Inlets Flange and Snap Fit (Twin Fused)

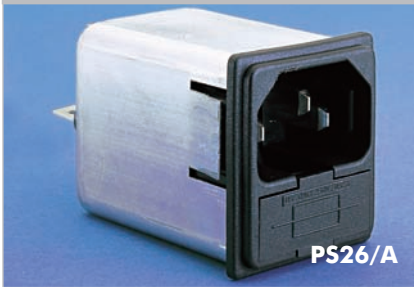
PANEL MOUNTING



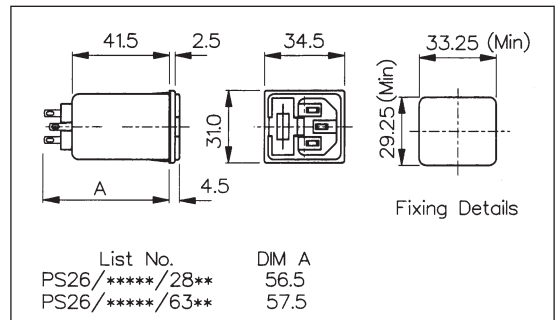
- 2 or 4 Amp Current Rating
- Twin Fused
- Optional Additional Components
- 2.8 or 6.3mm tabs



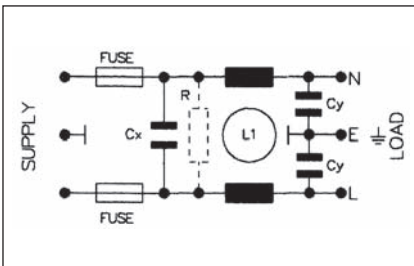
SNAP FIT



- 2 or 4 Amp Current Rating
- Twin Fused
- Optional Additional Components
- 2.8 or 6.3mm tabs
- 1, 1.5, 2 or 3mm panels



PS25 or PS26/Axx2x/xx xx



Series	Rating	L/C Circuit	Additional Components	Tag Type and Configuration	Panel Thickness
PS25/A	02 = 2A	2 = Version 2	0 = None	28 = 2.8mm	Blank = Flange
PS26/A	04 = 4A		1 = Bleed (R) Resistor	63 = 6.3mm tabs	10 = 1.0mm 15 = 1.5mm 20 = 2.0mm 30 = 3.0mm

Specification

PS25/Axx2x/xx00

PS26/Axx2x/xxxx

Part No. Example

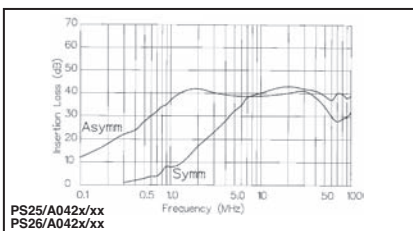
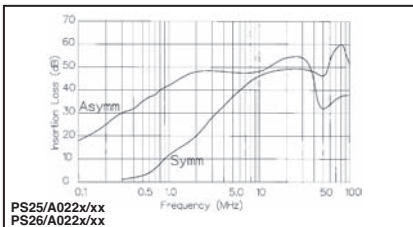
Max. Working Voltage:	250V a.c. 50-400Hz	250V a.c. 50-400Hz
Max. Power Dissipation:	2.5W per fuse	2.5W per fuse
Earth Leakage Current:	<0.35mA (250V, 50Hz)	<0.35mA (250V, 50Hz)
Temperature Range:	-25°C to +85°C	-25°C to +85°C
Max. Ambient Temp.: (@ Full Load)	40°C (derate linearly to 0A @ 85°C)	40°C (derate linearly to 0A @ 85°C)
Test Voltage:	2700V d.c. 2 secs. Lines to Earth 1100V d.c. 2 secs. Live to Neutral	2700V d.c. 2 secs. Lines to Earth 1100V d.c. 2 secs. Live to Neutral
Approvals:		
Mating Connectors:	PX0587, PX0587/SE, PX0588	PX0587, PX0587/SE, PX0588
Accessories:	P.No. 14340 (see page 96)	P.No. 14340 (see page 96)
<b>RoHS</b>	Compliant	Compliant

**PS25/A0420/28=**  
PS25 series, flange fitting, standard filtered IEC power inlet, twin fused, rated at 4 amperes. L/C circuit version 2, i.e L1 = 2 x 0.7mH, Cx = 1 x 15nF, Cy = 2 x 2.2nF Without bleed resistor fitted, with 2.8mm tabs.

**Rating & Version Table**  
**PS25/Axx2x/xx00 & PS26/Axx2x/xxxx**

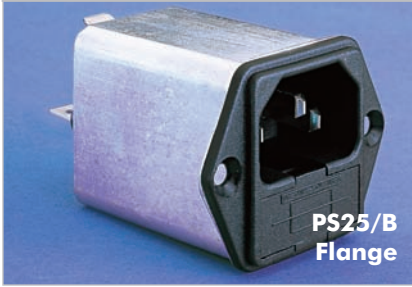
Rating	Version	L1	Cx	Cy
2 AMP	1	2 x 1.8mH	1 x 15nF	2 x 2.2nF
"	2			
"	3			
4 AMP	1	2 x 0.7mH	1 x 15nF	2 x 2.2nF
"	2			
"	3			

**Version 2**

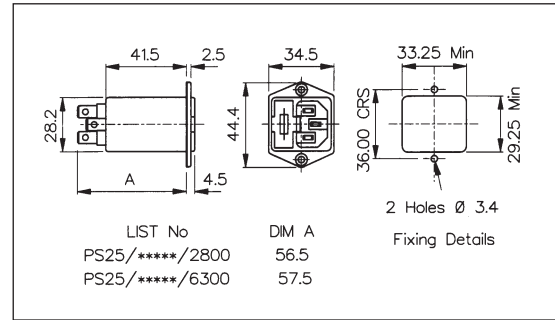


## Medical IEC Power Inlets (Twin Fused)

### PANEL MOUNTING



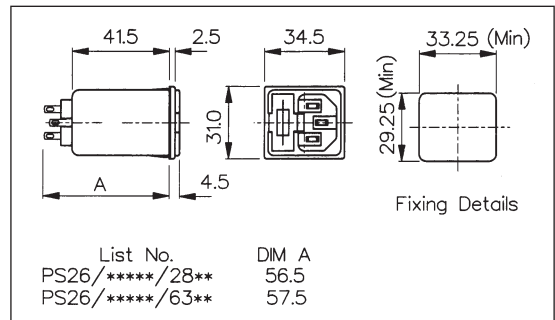
- 2 or 4 Amp Current Rating
- Medical
- Twin Fused
- Optional Additional Components
- 2.8 or 6.3mm tabs



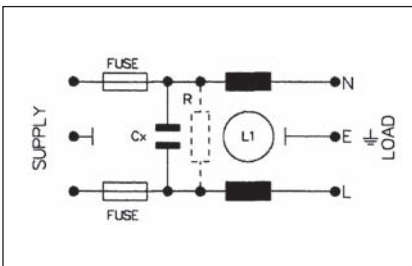
### SNAP FIT



- 2 or 4 Amp Current Rating
- Medical
- Twin Fused
- Optional Additional Components
- 2.8 or 6.3mm tabs
- 1, 1.5, 2 or 3mm panels



### PS25 or PS26/Bxx 2x / xx xx



Series	Rating	L/C Circuit	Additional Components	Tag Type and Configuration	Panel Thickness
PS25/B	02 = 2A	2 = Version 2	0 = None	28 = 2.8mm	Blank = Flange
PS26/B	04 = 4A		1 = Bleed (R) Resistor	63 = 6.3mm tabs	10 = 1.0mm 15 = 1.5mm 20 = 2.0mm 30 = 3.0mm

### Specification

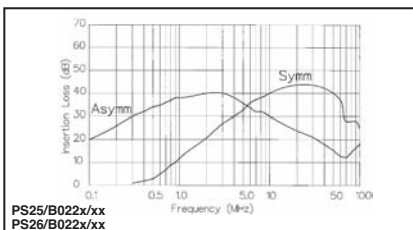
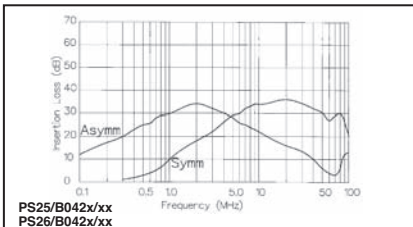
Specification	PS25/Bxx2x/xx00	PS26/Bxx2x/xxxx	Part No. Example
Max. Working Voltage:	250V a.c. 50-400Hz	250V a.c. 50-400Hz	<div style="border: 1px solid black; padding: 5px;"> <b>PS25/B0220/63 =</b>                      PS25 series, flange fitting, for medical applications, rated at 2 amperes. L/C circuit version 2, i.e L1 = 2 x 1.8mH, Cx = 1 x 15nF, without bleed resistor fitted, with 6.3mm tabs.                 </div>
Max. Power Dissipation:	2.5W per fuse	2.5W per fuse	
Earth Leakage Current:	<100µA (typically 5µA 250V, 50Hz)	<100µA (typically 5µA 250V, 50Hz)	
Temperature Range:	-25°C to +85°C	-25°C to +85°C	
Max. Ambient Temp.: (@ Full Load)	40°C (derate linearly to 0A @ 85°C)	40°C (derate linearly to 0A @ 85°C)	
Test Voltage:	2700V d.c. 2 secs. Lines to Earth 1100V d.c. 2 secs. Live to Neutral	2700V d.c. 2 secs. Lines to Earth 1100V d.c. 2 secs. Live to Neutral	
Approvals:			
Mating Connectors:	PX0587, PX0587/SE, PX0588	PX0587, PX0587/SE, PX0588	
Accessories:	P.No. 14340 (see page 96)	P.No. 14340 (see page 96)	
<b>RoHS</b>	Compliant	Compliant	

**Rating & Version Table**

**PS25/Bxx2x/xx00 & PS26/Bxx2x/xxxx**

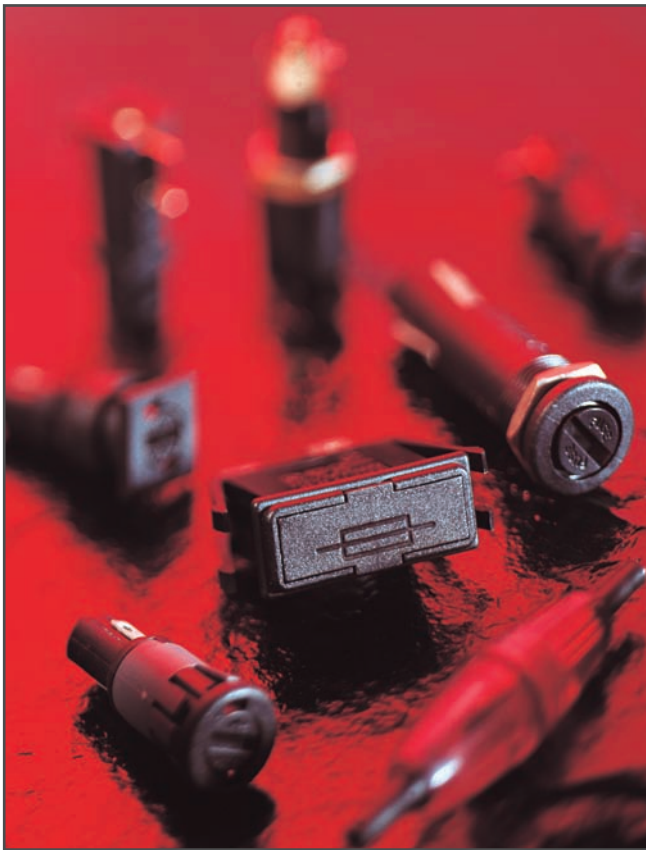
Rating	Version	L1	Cx
2 AMP	1	2 x 1.8mH	1 x 15nF
"	2		
"	3		
4 AMP	1	2 x 0.7mH	1 x 15nF
"	2		
"	3		

**Version 2**









# FUSEHOLDERS

Bulgin's extensive range of fuseholders are designed to give the degree of protection demanded in today's sophisticated electronic equipment. Carrying world-wide safety approvals from UL, VDE, CSA and IMQ, all types are manufactured from high grade flame retardant nylon and polyester materials.

Designed primarily for 5 x 20mm and 6.3 x 32mm size fuses with protection against shock to categories PC1, PC2 and PC3. There's a choice of styles for in-line, PCB mounting and panel mounting (screw or snap fit) with terminal options for solder, 2.8mm, 4.8mm or 6.3mm tabs or PC spills.

Dust and waterproof designs provide a front of panel seal to IP68 in both 5 x 20mm and 6.3 x 32mm size fuses.

Fuse carrier styles include captive drawer, screw cap - with screw driver release, bayonet cap - with screw driver release and screw cap - with finger release.

Type	Fuse Size (mm)	Page
<b>Captive Carriers</b>		
FX0430	5 x 20	149
FX0460	5 x 20	149
FX0461	5 x 20	158
<b>Panel Mounting</b>		
FX0357	5 x 20	150
FX0359	5 x 20	150
FX0367	5 x 20	150
FX0369/1	5 x 20	150
FX0369/2	5 x 20	150
FX0454	5 x 20	151
FX0454/S	5 x 20	151
FX0455	5 x 20	151
FX0455/S	5 x 20	151
FX0458/1	5 x 20	151
FX0458/2	5 x 20	151
FX0415	6.3 x 32	152
FX0415/S	6.3 x 32	152
FX0416	6.3 x 25	152
FX0416/S	6.3 x 25	152
FX0417	6.3 x 32	153
FX0418/1	6.3 x 32	153
FX0418/2	6.3 x 32	153
FX0354	5 x 20	154
FX0354/S	5 x 20	154
FX0296	5 x 20	155
FX0296/S	5 x 20	155
FX0296/1	5 x 20	155

Type	Fuse Size (mm)	Page
<b>Panel Mounting - IP66 and IP68</b>		
FX0419	6.3 x 32	156
FX0462	5 x 20	156
FX0463	5 x 20	156
FX0345	5 x 20	157
FX0345/A	5 x 20	157
FX0365	5 x 20	157
FX0365/A	5 x 20	157
<b>PC Mounting</b>		
FX0461	5 x 20	158
FX0456	5 x 20	158
FX0457	5 x 20	158
FX0330	5 x 20	158
FX0342	5 x 20	158
FX0442	5 x 20	159
FX0443	5 x 20	159
FX0321	5 x 20	160
<b>Base Mounting</b>		
FX0267	5 x 20	160
FX0360	5 x 20	160
FX0326	6.3 x 32	161
FX0331	6.3 x 25	161
FX0327	6.3 x 32	161
<b>In-Line Fuseholders</b>		
FX0180	6.3 x 32	162
FX0185	6.3 x 32	162
FX0280	6.3 x 25	162
FX0285	6.3 x 25	162
FX0380	5 x 20	162
FX0385	5 x 20	162
<b>Fuseholder Accessories</b>		
		163

## Protection Categories

### Category PC1:

No integral protection against electric shock. If required, Designers/Manufacturers must provide additional protection against electric shock on equipment.

### Category PC2:

With integral protection against electric shock. Fuseholders shall have live parts inaccessible to IEC 60529 Standard Test Finger, when fully assembled, without fuse carrier or fuse in place and when fuse carrier, with fuse is being inserted or withdrawn.

### Category PC3:

With integral protection against electric shock. Fuseholders shall have live parts inaccessible to IEC 60529 1 mm dia. rigid test wire when fully assembled, without fuse carrier or fuse in place and when fuse carrier, with fuse, is being inserted or withdrawn.

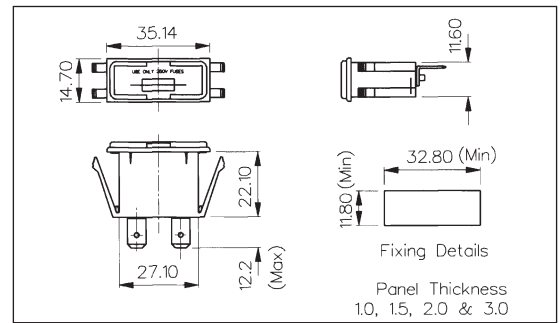
For full definitions see IEC 60127-6 : 1994 Clause 9

**Panel/PC Mounting Captive Carriers Touchproof, PC3**

**SNAP FIT TO PANEL**



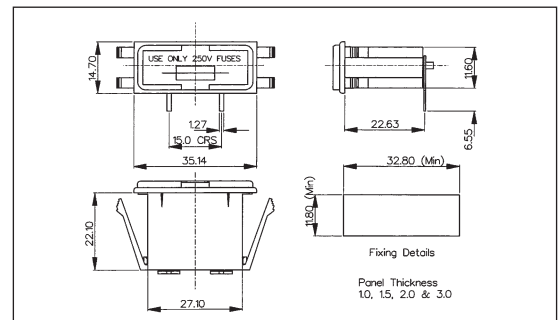
- Protection Category PC3
- Fuse Size 5 x 20mm
- Panel Sizes 1.0, 1.5, 2.0 and 3.0mm
- Captive Drawer
- 10A, 250V (16A, 250V UL)
- 2.8, 4.8 or 6.3 tabs



**SNAP FIT TO PANEL**



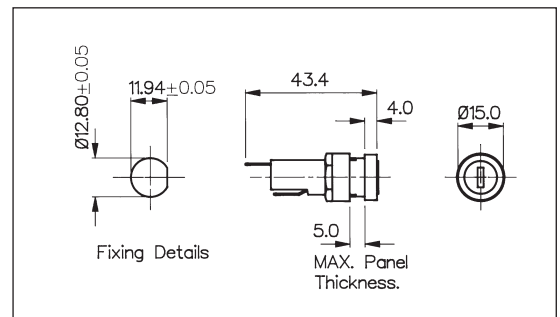
- Protection Category PC3
- Fuse Size 5 x 20mm
- Panel Sizes 1.0, 1.5, 2.0 and 3.0mm
- Captive Drawer
- 10A, 250V (16A, 250V UL)
- PC spills



**PANEL MOUNT**



- Protection Category PC3
- Fuse Size 5 x 20mm
- Screw Cap/Screwdriver Release
- Captive Fuse Carrier
- 10A, 250V (16A, 250V UL)



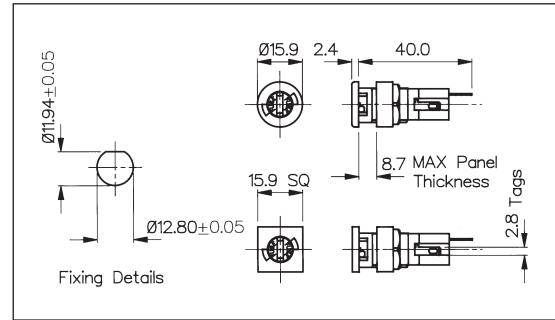
Specification	FX0430/Termination	FX0430/PC	FX0460
Fuse Size:	5 x 20mm	5 x 20mm	5 x 20mm
Fuse Carrier:	Captive Drawer	Captive Drawer	Screw cap/Screwdriver release
Terminations:	/28 (2.8mm solder), /48 (4.8mm tab), /63 (6.3mm tab)	/PC (PC spills)	Solder tags
Max. Rating:	10A, 250V (16A, 250V a.c. UL)	10A, 250V (16A, 250V a.c. UL)	10A, 250V (16A, 250V a.c. UL)
Max. Power Dissipation:	2.5W (@ 23°C)	2.5W (@ 23°C)	1.6W (@ 23°C)
Insulation Resistance:	>10MΩ @ 500V d.c.	>10MΩ @ 500V d.c.	>10MΩ @ 500V d.c.
A.C. Breakdown:	>2kV	>2kV	>2kV
Contact Resistance:	<10mΩ	<10mΩ	<10mΩ
Operating Temp:	-20°C to +85°C (ambient air temp + fuse temp rise)	-20°C to +85°C (ambient air temp + fuse temp rise)	-20°C to +85°C (ambient air temp + fuse temp rise)
Moldings:			
Body/Drawer:	Nylon UL94V-0 rated	Nylon UL94V-0 rated	Polyester UL94V-0 rated
Cap:			Nylon UL94V-0 rated
Nut:			Glass Filled Nylon UL94V-0 rated
Contacts:	Contact tags: Brass, Tin Plated Fuse Clips: Phosphor Bronze, Nickel Plated	Contact tags: Brass, Tin Plated Fuse Clips: Phosphor Bronze, Nickel Plated	Brass, Silver Plated
Approvals:		pending	
Accessories:			P.No. 11327 (See page 163)
Note:			See page 164 for PC version
RoHS	Compliant	Compliant	Compliant

## Panel Mounting and Snap Fit Touchproof, PC2

### PANEL MOUNT



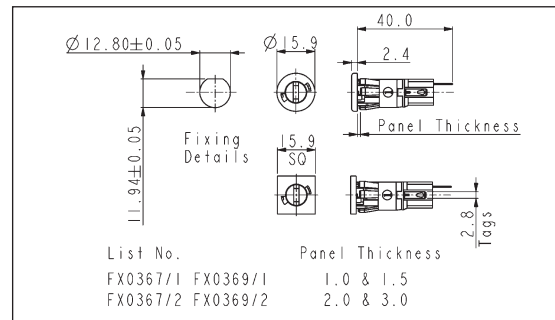
- Protection Category PC2
- Fuse Size 5 x 20mm
- Bayonet Cap/Screwdriver Release
- 10A, 250V (16A, 250V UL)



### SNAP FIT TO PANEL



- Protection Category PC2
- Fuse Size 5 x 20mm
- Panel Sizes 1.0 & 1.5 and 2.0 & 3.0mm
- Bayonet Cap/Screwdriver Release
- 10A, 250V (16A, 250V UL)



### Specification


#### FX0357, FX0359

#### FX0367/Panel, FX0369/Panel

Fuse Size:	5 x 20mm	5 x 20mm
Panel Size:	-	/1 (1.0-1.5mm panel, black sleeve) /2 (2.0-3.0mm panel, grey sleeve)
Fuse Carrier:	Bayonet cap/Screwdriver release	Bayonet cap/Screwdriver release
Terminations:	Solder tags	Solder tags
Max. Rating:	10A, 250V (16A, 250V a.c. UL)	10A, 250V (16A, 250V a.c. UL)
Max. Power Dissipation:	2.5W (@ 23°C)	2.5W (@ 23°C)
Insulation Resistance:	>10 <sup>2</sup> MΩ @ 500V d.c.	>10 <sup>2</sup> MΩ @ 500V d.c.
A.C. Breakdown:	7kV @ 50Hz	7kV @ 50Hz
Contact Resistance:	<10mΩ	<10mΩ
Operating Temp:	-20°C to +85°C (ambient air temp + fuse temp rise)	-20°C to +85°C (ambient air temp + fuse temp rise)
Mouldings:		
Body:	Polyester UL94V-0 rated	Polyester UL94V-0 rated
Cap:	Nylon UL94V-0 rated	Nylon UL94V-0 rated
Nut:	Glass Filled Nylon UL94V-0 rated	
Contacts:	Brass, Silver Plated	Brass, Silver Plated
Approvals:		
Accessories:	P.No. 11327 (See page 163)	P.No. 11327 (See page 163)
<b>RoHS</b>	Compliant	Compliant

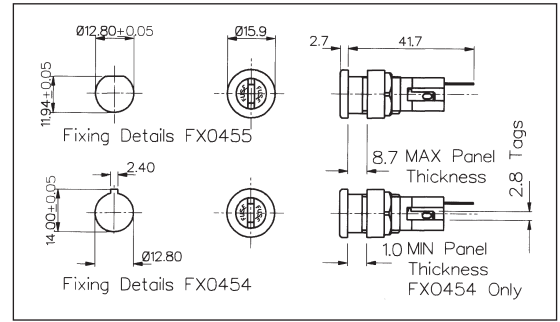
**Panel Mounting and Snap Fit Touchproof, PC2**

**PANEL MOUNT**



**FX0454, FX0455**

- Protection Category PC2
- Fuse Size 5 x 20mm
- Screw Cap/Screwdriver Release
- Keyway Panel Cutout (FX0454)
- D Panel Cutout (FX0455)
- 10A, 250V (16A, 250V UL)

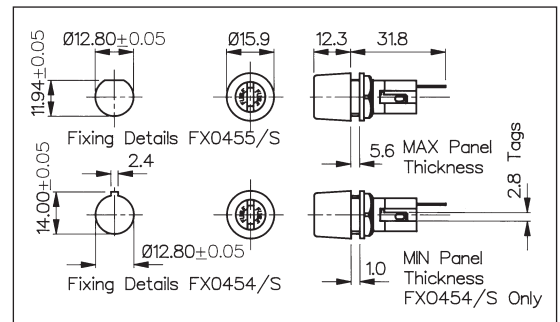


**PANEL MOUNT**



**FX0454/S, FX0455/S**

- Protection Category PC2
- Fuse Size 5 x 20mm
- Screw Cap/Screwdriver Release
- High Profile Bezel
- Keyway Panel Cutout (FX0454/S)
- D Panel Cutout (FX0455/S)
- 10A, 250V (16A, 250V UL)

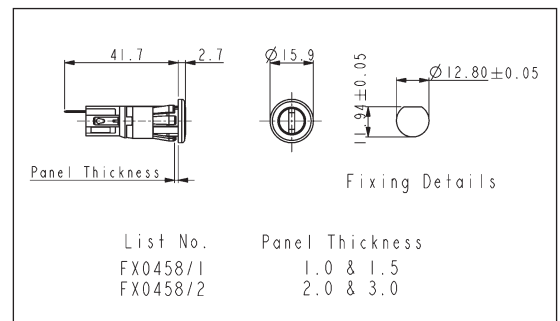


**SNAP FIT TO PANEL**



**FX0458**

- Protection Category PC2
- Fuse Size 5 x 20mm
- Panel Sizes 1.0 & 1.5 and 2.0 & 3.0mm
- Screw Cap/Screwdriver Release
- 10A, 250V (16A, 250V UL)



Specification	FX0454, FX0455	FX0454/S, FX0455/S	FX0458/Panel
Fuse Size:	5 x 20mm	5 x 20mm	5 x 20mm
Panel Size:	-	-	/1 (1.0-1.5mm panel, black sleeve) /2 (2.0-3.0mm panel, grey sleeve)
Fuse Carrier:	Screw cap/Screwdriver release	Screw cap/Screwdriver release	Screw cap/Screwdriver release
Terminations:	Solder tags	Solder tags	Solder tags
Max. Rating:	10A, 250V (16A, 250V a.c. UL)	10A, 250V (16A, 250V a.c. UL)	10A, 250V (16A, 250V a.c. UL)
Max. Power Dissipation:	2.5W (@ 23°C)	2.5W (@ 23°C)	2.5W (@ 23°C)
Insulation Resistance:	>10 <sup>2</sup> MΩ @ 500V d.c.	>10 <sup>2</sup> MΩ @ 500V d.c.	>10 <sup>2</sup> MΩ @ 500V d.c.
A.C. Breakdown:	7kV @ 50Hz	7kV @ 50Hz	>7kV @ 50Hz
Contact Resistance:	<10mΩ	<10mΩ	<10mΩ
Operating Temp:	-20°C to +85°C (ambient air temp + fuse temp rise)	-20°C to +85°C (ambient air temp + fuse temp rise)	-20°C to +85°C (ambient air temp + fuse temp rise)
Mouldings:			
Body:	Polyester UL94V-0 rated	Polyester UL94V-0 rated	Polyester UL94V-0 rated
Cap:	Nylon UL94V-0 rated	Nylon UL94V-0 rated	Nylon UL94V-0 rated
Nut:	Glass Filled Nylon UL94V-0 rated	Glass Filled Nylon UL94V-0 rated	
Contacts:	Brass, Silver Plated	Brass, Silver Plated	Brass, Silver Plated
Approvals:			
Accessories:	P.Nos. 11327, 12297 & 12298 (See page 163)	P.Nos. 11327, 12297 & 12298 (See page 163)	P.No. 11327 (See page 163)
<b>RoHS</b>	Compliant	Compliant	Compliant

FUSEHOLDERS

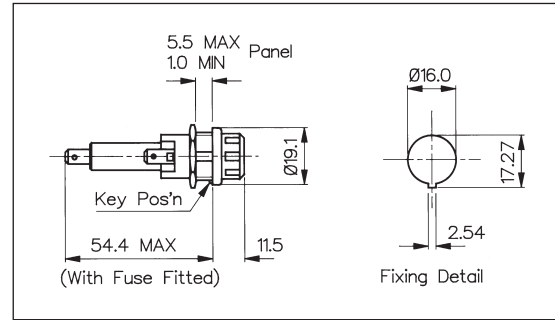
## Panel Mounting Touchproof, PC2

### PANEL MOUNT



**FX0415, FX0416**

- Protection Category PC2
- Fuse Sizes:  
6.3 x 32mm (FX0415)  
6.3 x 25mm (FX0416)
- Screw Cap/Hand Release
- 13A, 250V (16A, 250V UL)

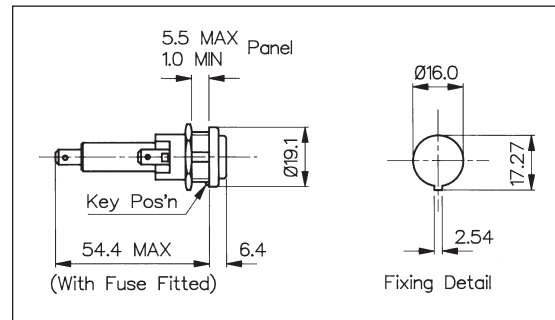


### PANEL MOUNT



**FX0415/S, FX0416/S**

- Protection Category PC2
- Fuse Sizes:  
6.3 x 32mm (FX0415/S)  
6.3 x 25mm (FX0416/S)
- Screw Cap/Screwdriver Release
- 13A, 250V (16A, 250V UL)



### Specification

#### FX0415, FX0416

#### FX0415/S, FX0416/S

<b>Fuse Size:</b>	FX0415 - 6.3 x 32mm FX0416 - 6.3 x 25mm	FX0415/S - 6.3 x 32mm FX0416/S - 6.3 x 25mm
<b>Fuse Carrier:</b>	Screw cap/Hand release	Screw cap/Screwdriver release
<b>Terminations:</b>	4.8 series tabs	4.8 series tabs
<b>Max. Rating:</b>	13A, 250V (16A, 250V UL)	13A, 250V (16A, 250V UL)
<b>Max. Power Dissipation:</b>	4W (@ 23°C)	4W (@ 23°C)
<b>Insulation Resistance:</b>	>10 <sup>5</sup> MΩ @ 500V d.c.	>10 <sup>5</sup> MΩ @ 500V d.c.
<b>A.C. Breakdown:</b>	4kV @ 50Hz	4kV @ 50Hz
<b>Contact Resistance:</b>	<5mΩ	<5mΩ
<b>Operating Temp:</b>	-20°C to +85°C (ambient air temp + fuse temp rise)	-20°C to +85°C (ambient air temp + fuse temp rise)
<b>Mouldings:</b>		
Body:	Glass Filled Nylon UL94V-0 rated	Glass Filled Nylon UL94V-0 rated
Cap:	Nylon UL94V-0 rated	Nylon UL94V-0 rated
Sleeve:	Polyester UL94V-0 rated	Polyester UL94V-0 rated
<b>Contacts:</b>	Brass, Silver Plated	Brass, Silver Plated
<b>Approvals:</b>		
<b>Accessories:</b>	P.No. 12932 (See page 163)	P.No. 12932 (See page 163)
<b>RoHS</b>	Compliant	Compliant



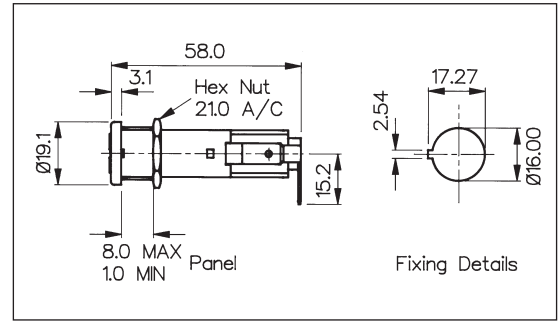
**Panel Mounting and Snap Fit Touchproof, PC2**

**PANEL MOUNT**

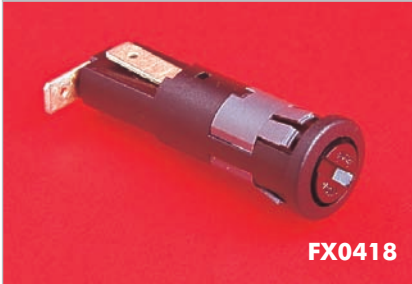


**FX0417**

- Protection Category PC2
- Fuse Size 6.3 x 32mm
- Screw Cap/Screwdriver Release
- 16A, 250V (20A, 250V UL)

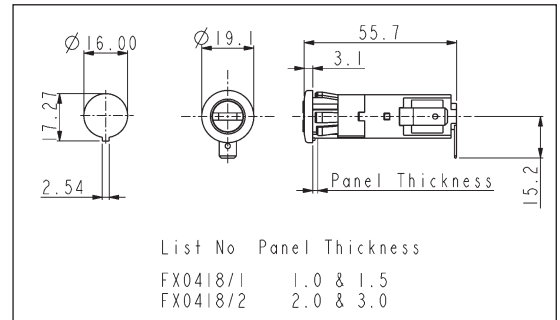


**SNAP FIT TO PANEL**



**FX0418**

- Protection Category PC2
- Fuse Size 6.3 x 32mm
- Panel Sizes 1.0 & 1.5 and 2.0 & 3.0mm
- Screw Cap/Screwdriver Release
- 16A, 250V (20A, 250V UL)



Specification	FX0417	FX0418/Panel
Fuse Size:	6.3 x 32mm	6.3 x 32mm
Panel Size:	-	/1 (1.0-1.5mm panel, black sleeve) /2 (2.0-3.0mm panel, grey sleeve)
Fuse Carrier:	Screw cap/Screwdriver release	Screw cap/Screwdriver release
Terminations:	6.3 series tabs	6.3 series tabs
Max. Rating:	16A, 250V 20A, 250V a.c. UL	16A, 250V 20A, 250V a.c. UL
Max. Power Dissipation:	4W (@ 23°C)	4W (@ 23°C)
Insulation Resistance:	>10 <sup>6</sup> MΩ @ 500V d.c.	>10 <sup>6</sup> MΩ @ 500V d.c.
A.C. Breakdown:	>2kV	>2kV
Contact Resistance:	<10mΩ	<10mΩ
Operating Temp:	-20°C to +85°C (ambient air temp + fuse temp rise)	-20°C to +85°C (ambient air temp + fuse temp rise)
Mouldings:		
Body:	Glass Filled Polyester UL94V-0 rated	Glass Filled Polyester UL94V-0 rated
Cap:	Nylon UL94V-0 rated	Nylon UL94V-0 rated
Sleeve:	Polyester UL94V-0 rated	Polyester UL94V-0 rated
Contacts:	Brass, Silver Plated	Brass, Silver Plated
Approvals:		
RoHS	Compliant	Compliant

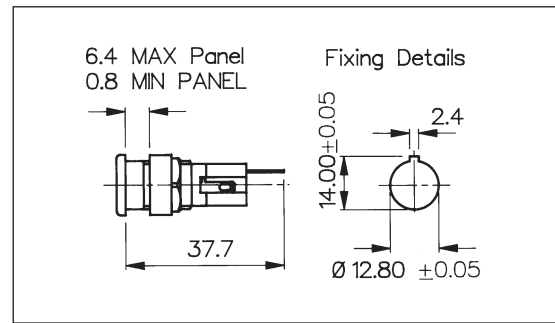
## Panel Mounting, PC2

### PANEL MOUNT



**FX0354**

- Protection Category PC2
- Low Profile Bezel
- Fuse Size 5 x 20mm
- Screw Cap/Screwdriver Release
- Keyway Panel Cutout
- 6.3A, 250V

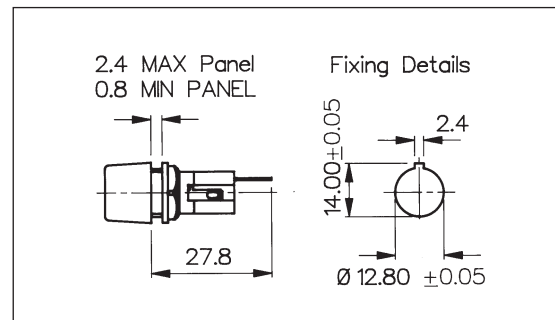


### PANEL MOUNT



**FX0354/S**

- Protection Category PC2
- High Profile Bezel
- Fuse Size 5 x 20mm
- Screw Cap/Screwdriver Release
- Keyway Panel Cutout
- 6.3A, 250V



### Specification

#### FX0354

#### FX0354/S

Fuse Size:	5 x 20mm	5 x 20mm
Fuse Carrier:	Screw cap/Screwdriver release	Screw cap/Screwdriver release
Terminations:	Solder tags	Solder tags
Max. Rating:	6.3A, 250V	6.3A, 250V
Max. Power Dissipation:	2.5W (@ 23°C)	2.5W (@ 23°C)
Insulation Resistance:	>10 <sup>2</sup> MΩ @ 500V d.c.	>10 <sup>2</sup> MΩ @ 500V d.c.
A.C. Breakdown:	5kV @ 50Hz	5kV @ 50Hz
Contact Resistance:	<10mΩ	<10mΩ
Operating Temp:	-20°C to +85°C (ambient air temp + fuse temp rise)	-20°C to +85°C (ambient air temp + fuse temp rise)
Mouldings:		
Body:	Polyester UL94V-0 rated	Polyester UL94V-0 rated
Cap:	Nylon UL94V-0 rated	Nylon UL94V-0 rated
Nut:	Glass Filled Nylon UL94V-0 rated	Glass Filled Nylon UL94V-0 rated
Contacts:	Brass, Silver Plated	Brass, Silver Plated
Approvals:		
Accessories:	P.No. 11327 and 12298 (See page 163)	P.No. 11327 and 12297 (See page 163)
<b>RoHS</b>	Compliant	Compliant

**Panel Mounting, PC1**

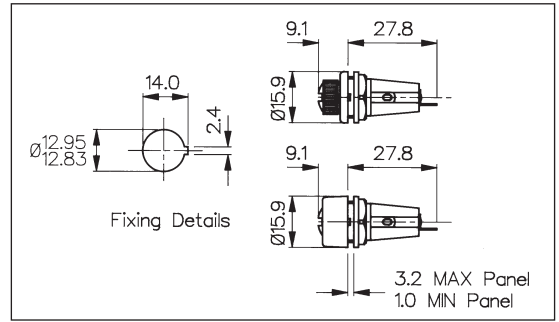
**PANEL MOUNT**



**FX0296**

**FX0296/S**

- Protection Category PC1
- Fuse Size 5 x 20mm
- Screw Cap/Hand Release
- 6.3A, 250V

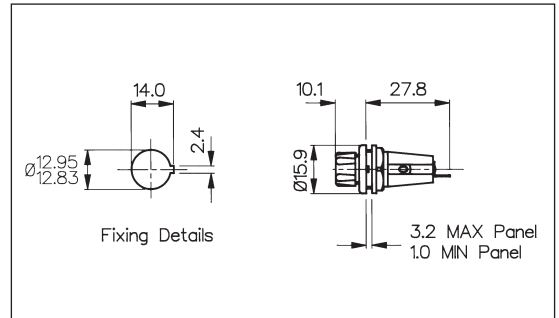


**PANEL MOUNT**



**FX0296/1**

- Protection Category PC1
- Fuse Size 5 x 20mm
- Screw Cap/Hand Release
- 6.3A, 250V



Specification	FX0296, FX0296/S	FX0296/1
Fuse Size:	5 x 20mm	5 x 20mm
Fuse Carrier:	FX0296 Screw cap/Hand release FX0296/S Screw cap/Screwdriver release	Screw cap/Hand release
Terminations:	Solder tags	Solder tags
Max. Rating:	6.3A, 250V	6.3A, 250V
Max. Power Dissipation:	2.5W (@ 23°C)	2.5W (@ 23°C)
Insulation Resistance:	>10 <sup>5</sup> MΩ @ 500V d.c.	>10 <sup>5</sup> MΩ @ 500V d.c.
A.C. Breakdown:	2.5kV @ 50Hz	2.5kV @ 50Hz
Contact Resistance:	<5mΩ	<5mΩ
Operating Temp:	-20°C to +85°C (ambient air temp + fuse temp rise)	-20°C to +85°C (ambient air temp + fuse temp rise)
Moldings:		
Body:	Glass Filled Nylon UL94V-0 rated	Glass Filled Nylon UL94V-0 rated
Cap:	Nylon UL94V-0 rated	Nylon UL94V-0 rated
Nut:	Glass Filled Nylon UL94V-0 rated	Glass Filled Nylon UL94V-0 rated
Contacts:	Brass, Silver or Tin Plated	Brass, Silver or Tin Plated
Accessories:	P.No. 9820 (See page 163)	P.No. 9820 (See page 163)
<b>RoHS</b>	Compliant	Compliant

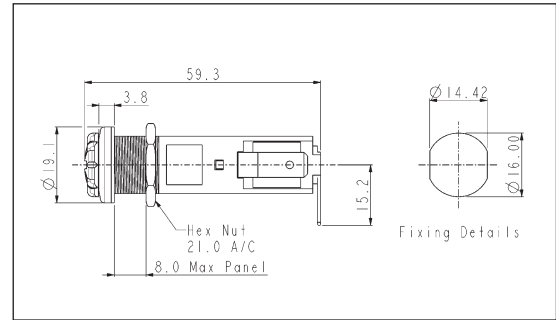
## Panel Mounting Touchproof, Sealed to IP68, PC2

### PANEL MOUNT



**FX0419**

- Panel Sealed to IP68
- Touchproof Category PC2
- Fuse Size 6.3 x 32mm
- Screw Cap/Screwdriver/Hand Release
- 16A, 250V ac

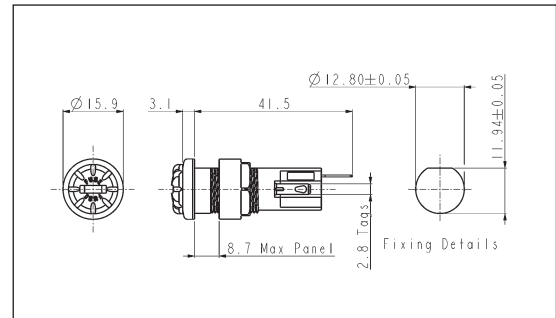


### PANEL MOUNT



**FX0462**

- Panel Sealed to IP68
- Touchproof Category PC2
- Fuse Size 5 x 20mm
- Screw Cap/Screwdriver/Hand Release
- 10A, 250V ac

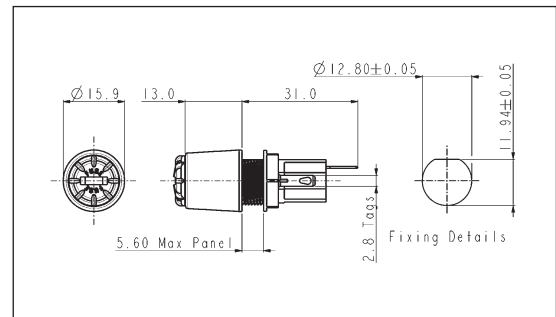


### PANEL MOUNT



**FX0463**

- Panel Sealed to IP68
- Touchproof Category PC2
- Fuse Size 5 x 20mm
- High Profile Bezel
- Screw Cap/Screwdriver/Hand Release
- 10A, 250V ac



Specification	FX0419	FX0462	FX0463
Fuse Size:	6.3 x 32mm	5 x 20mm	5 x 20mm
Fuse Carrier:	Screw cap/Screwdriver/Hand release	Screw cap/Screwdriver/Hand release	Screw cap/Screwdriver/Hand release
Terminations:	6.3 series tabs	Solder tags	Solder tags
Max. Rating:	16A, 250V ac	10A, 250V ac	10A, 250V ac
Max. Power Dissipation:	2.5W (@ 23°C)	2.5W (@ 23°C)	2.5W (@ 23°C)
Insulation Resistance:	>10 <sup>6</sup> MΩ @ 500V d.c.	>10 <sup>2</sup> MΩ @ 500V d.c.	>10 <sup>2</sup> MΩ @ 500V d.c.
A.C. Breakdown:	>2kV @ 50Hz	7kV @ 50Hz	7kV @ 50Hz
Contact Resistance:	<10mΩ	<10mΩ	<10mΩ
Operating Temp:	-20°C to +85°C (ambient air temp + fuse temp rise)	-20°C to +85°C (ambient air temp + fuse temp rise)	-20°C to +85°C (ambient air temp + fuse temp rise)
Mouldings:			
Body:	Polyester UL94V-0 rated	Polyester UL94V-0 rated	Polyester UL94V-0 rated
Cap:	Nylon UL94V-0 rated	Nylon UL94V-0 rated	Nylon UL94V-0 rated
Nut:	Glass Filled Nylon UL94V-0 rated	Glass Filled Nylon UL94V-0 rated	Glass Filled Nylon UL94V-0 rated
Contacts:	Brass, Silver Plated	Brass, Silver Plated	Brass, Silver Plated
Tightening Torque:			
Cap:	0.4 - 0.6Nm (3.54-5.3lbf.in.)	0.4 - 0.6Nm (3.54-5.3lbf.in.)	0.4 - 0.6Nm (3.54-5.3lbf.in.)
Panel Nut:	0.5Nm (4.4lbf.in.)	0.5Nm (4.4lbf.in.)	0.5Nm (4.4lbf.in.)
Sealing:	IP68 to EN60529:1992	IP68 to EN60529:1992	IP68 to EN60529:1992
Approvals:			
Accessories:	-	P.Nos. 11327 (See page 163)	P.No. 11327(See page 163)
<b>RoHS</b>	Compliant	Compliant	Compliant

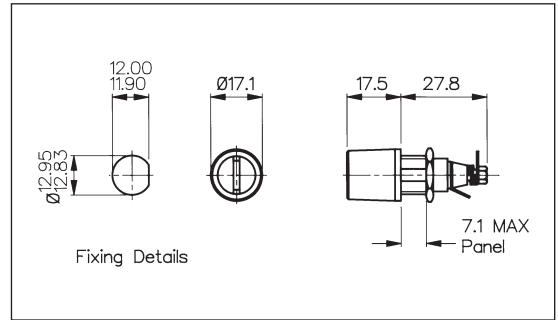
**Panel Mounting Sealed to IP66, PC1**

**HIGH PROFILE PANEL MOUNT**



**FX0345**

- Sealed to IP66
- Protection Category PC1
- Fuse Size 5 x 20mm
- Screw Cap/Screwdriver Release
- 6.3A, 250V

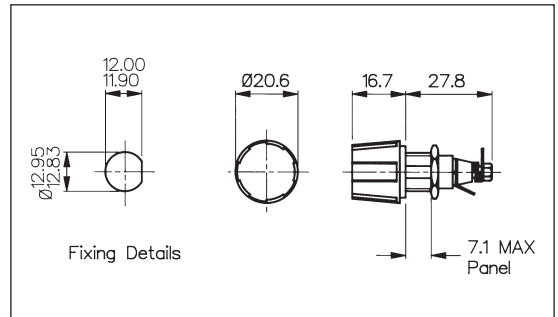


**HIGH PROFILE PANEL MOUNT**



**FX0365**

- Sealed to IP66
- Protection Category PC1
- Fuse Size 5 x 20mm
- Screw Cap/Hand Release
- Large Cap for Easy Grip
- 6.3A, 250V



Specification	FX0345, FX0345/A	FX0365, FX0365/A
Fuse Size:	5 x 20mm	5 x 20mm
Fuse Carrier:	Screw cap/Screwdriver release	Screw cap/Hand release. Large ribbed cap allows removal with gloved hand
Terminations:	Solder tags	Solder tags
Max. Rating:	6.3A, 250V	6.3A, 250V
Max. Power Dissipation:	4W (@ 23°C)	4W (@ 23°C)
Insulation Resistance:	>10 <sup>3</sup> MΩ @ 500V d.c.	>10 <sup>3</sup> MΩ @ 500V d.c.
A.C. Breakdown:	>3.5kV @ 50Hz	>3.5kV @ 50Hz
Contact Resistance:	<10mΩ	<10mΩ
Operating Temp:	-20°C to +85°C (ambient air temp + fuse temp rise)	-20°C to +85°C (ambient air temp + fuse temp rise)
Mouldings:		
Body & Cap:	Glass Filled Nylon UL94V-0 rated	Glass Filled Nylon UL94V-0 rated
Spacer:	Glass Filled Nylon UL94HB rated	Glass Filled Nylon UL94HB rated
Insulating Sleeve:	Nylon UL94V-0 rated	Nylon UL94V-0 rated
Contacts:	Brass, Silver Plated	Brass, Silver Plated
Sealing:	Protection Classification IP66 to BS 60529:1992 Retains sealing integrity with cap removed since they are both panel and barrier sealed	
Variants:	/A Silicone 'O' ring, Op. Temp. -55°C to +85°C	/A Silicone 'O' ring, Op. Temp. -55°C to +85°C
<b>RoHS</b>	Compliant	Compliant

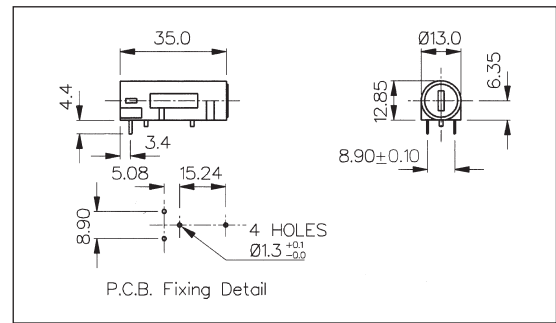
## PC Mounting PC1, PC2 and PC3

### PC HORIZONTAL MOUNT



- Protection Category PC3
- Fuse Size 5 x 20mm
- Screw Cap/Screwdriver Release
- Captive Fuse Carrier
- PC Spills
- 10A, 250V (16A, 250V UL)

**FX0461**



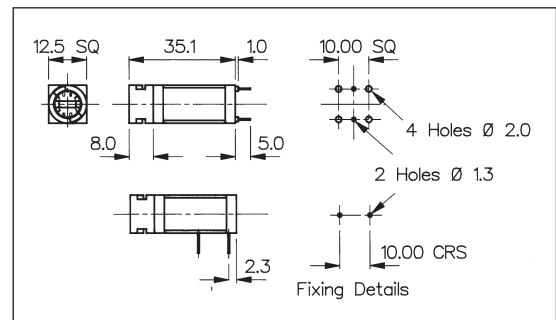
### PC HORIZONTAL AND VERTICAL MOUNT



- Protection Category PC2
- Fuse Sizes 5 x 20mm
- Bayonet Cap/Screwdriver Release
- 10A, 250V

**FX0457**

**FX0456**



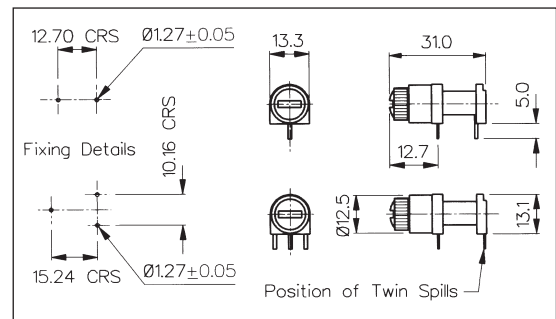
### PC HORIZONTAL MOUNT



- Protection Category PC1
- Fuse Size 5 x 20mm
- Two or Three PC Spills
- Screw Cap/Hand Release
- 6.3A, 250V

**FX0330**

**FX0342**



Specification	FX0461	FX0456, FX0457	FX0330, FX0342
Fuse Size:	5 x 20mm	5 x 20mm	5 x 20mm
Fuse Carrier:	Screw cap/Screwdriver release	Bayonet cap/Screwdriver release	Screw cap/Hand release
Terminations:	PC Spills	PC Spills	FX0330 - 3 PC Spills FX0342 - 2 PC Spills
Max. Rating:	10A, 250V (16A, 250V a.c. UL)	10A, 250V	6.3A, 250V
Max. Power Dissipation:	1.6W (@ 23°C)	2.5W (@ 23°C)	2.5W (@ 23°C)
Insulation Resistance:	>10MΩ @ 500V d.c.	>10 <sup>2</sup> MΩ @ 500V d.c.	>10 <sup>4</sup> MΩ @ 500V d.c.
A.C. Breakdown:	>2kV	4kV @ 50Hz	6kV @ 50Hz
Contact Resistance:	<10mΩ	<10mΩ	<5mΩ
Operating Temp: (ambient air temp + fuse temp rise)	-20°C to +85°C	-20°C to +85°C	-20°C to +85°C
Mouldings:			
Body:	Polyester UL94V-0 rated	Polyester UL94V-0 rated	Glass Filled Nylon UL94V-0 rated
Cap:	Nylon UL94V-0 rated	Nylon UL94V-0 rated	Nylon UL94V-0 rated
End Bung:		Polyester UL94V-0 rated	
Contacts:	Brass, Silver Plated	Brass, Silver Plated	Brass, Tin Plated
Approvals:			
<b>RoHS</b>	Compliant	Compliant	Compliant

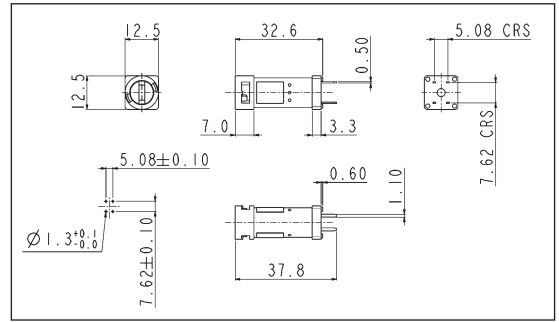


**PC Mounting PC2**

**PC VERTICAL MOUNT**



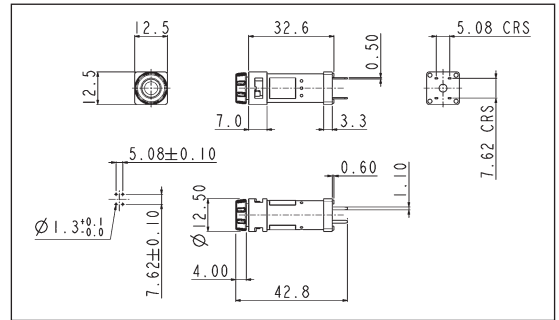
- Protection Category PC2
- Fuse Size 5 x 20mm
- Bayonet cap/Screwdriver Release
- PC Spills
- 10A, 250V



**PC VERTICAL MOUNT**



- Protection Category PC2
- Fuse Size 5 x 20mm
- Bayonet cap/Hand Release
- PC Spills
- 10A, 250V



Specification	FX0442	FX0443
Fuse Size:	5 x 20mm	5 x 20mm
Fuse Carrier:	Bayonet cap/Screwdriver release	Bayonet cap/Hand release
Terminations:	PC Spills	PC Spills
Max. Rating:	10A, 250V	10A, 250V
Max. Power Dissipation:	2.5W (@ Ta 23°C)	2.5W (@ Ta 23°C)
Insulation Resistance:	>10MΩ @ 500V d.c.	>10MΩ @ 500V d.c.
A.C. Breakdown:	>2kV	>2kV
Contact Resistance:	<10mΩ	<10mΩ
Operating Temp: (ambient air temp + fuse temp rise)	-20°C to +85°C	-20°C to +85°C
Mouldings:		
Body:	Polyester UL94V-0 rated	Polyester UL94V-0 rated
Cap:	Nylon UL94V-0 rated	Nylon UL94V-0 rated
Contacts:	Tin plated, copper alloy	Tin plated, copper alloy
Approvals:		
<b>RoHS</b>	Compliant	Compliant

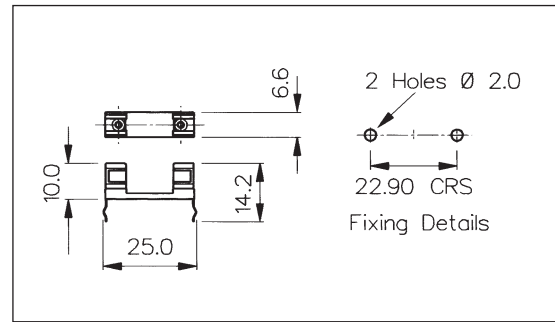
## PC and Base Mounting, PC1

### PC MOUNT

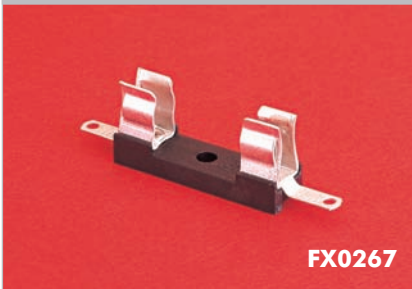


**FX0321**

- Protection Category PC1
- Fuse Size 5 x 20mm
- PC Spills
- 6.3A, 250V

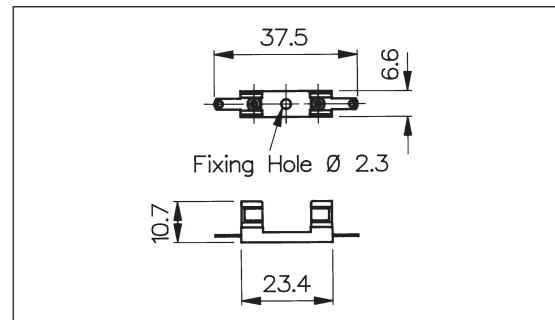


### BASE MOUNT



**FX0267**

- Protection Category PC1
- Fuse Size 5 x 20mm
- Solder Tags
- 6.3A, 250V

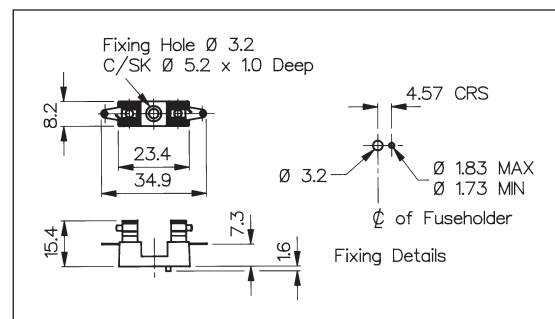


### BASE MOUNT



**FX0360**

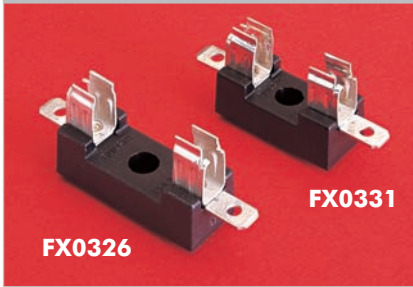
- Protection Category PC1
- Fuse Size 5 x 20mm
- Solder Tags
- 6.3A, 250V



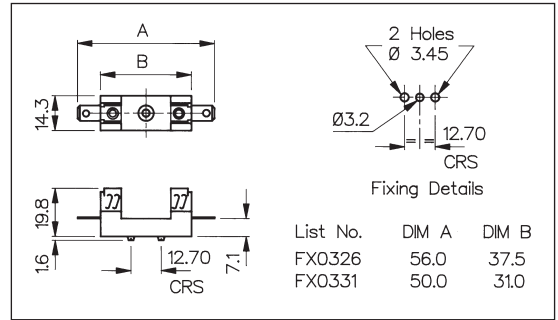
Specification	FX0321	FX0267	FX0360
Fuse Size:	5 x 20mm	5 x 20mm	5 x 20mm
Terminations:	PC Spills	Solder tags	Solder tags
Max. Rating:	6.3A, 250V	6.3A, 250V	6.3A, 250V
Insulation Resistance:	>10 <sup>5</sup> MΩ @ 500V d.c.	>10 <sup>5</sup> MΩ @ 500V d.c.	>10 <sup>4</sup> MΩ @ 500V d.c.
A.C. Breakdown:	7kV @ 50Hz (Clip to clip)	1.5kV @ 50Hz	2kV @ 50Hz
Contact Resistance:	<10mΩ	<10mΩ	<10mΩ
Operating Temp: (ambient air temp + fuse temp rise)	-20°C to +85°C	-20°C to +85°C	-20°C to +85°C
Base Material:	Glass Filled Nylon UL94V-0 rated	Glass Filled Nylon UL94V-0 rated	Glass Filled Nylon UL94HB rated
Contacts:	Phosphor Bronze, Tin Plated	Phosphor Bronze, Tin Plated	Phosphor Bronze, Tin Plated
Accessories:	P.No. 12760 (See page 163)	P.No. 12760 (See page 163)	
<b>RoHS</b>	Compliant	Compliant	Compliant

**Base Mounting, PC1**

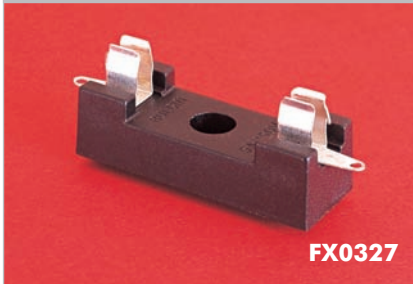
**BASE MOUNT**



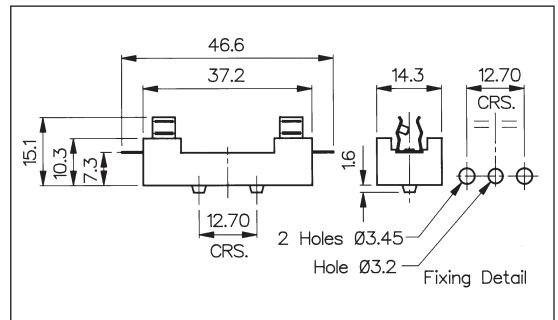
- Protection Category PC1
- Fuse Sizes:  
6.3 x 32mm (FX0326)  
6.3 x 25mm (FX0331)
- Solder Tags
- 13A, 250V



**BASE MOUNT**



- Protection Category PC1
- Fuse Size 6.3 x 32mm
- Solder Tags
- 5A, 250V



Specification	FX0326, FX0331	FX0327
Fuse Size:	FX0326 - 6.3 x 32mm FX0331 - 6.3 x 25mm	6.3 x 32mm
Terminations:	6.3 series tabs	Solder tags
Max. Rating:	13A, 250V	5A, 250V
Insulation Resistance:	>10 <sup>4</sup> MΩ @ 500V d.c.	>10 <sup>5</sup> MΩ @ 500V d.c.
A.C. Breakdown:	5kV @ 50Hz	5kV @ 50Hz
Contact Resistance:	<5mΩ	<10mΩ
Operating Temp: (ambient air temp + fuse temp rise)	-20°C to +85°C	-20°C to +85°C
Base Material:	Glass Filled Polyester UL94V-0 rated	Glass Filled Polyester UL94V-0 rated
Contacts:	Clips: Phosphor Bronze, Tin Plated Tabs: Brass, Tin Plated	Phosphor Bronze, Tin Plated
<b>RoHS</b>	Compliant	Compliant

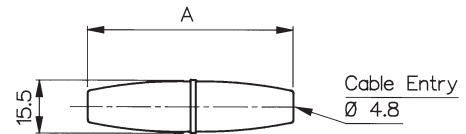
## In-Line PC1 and In-Line Sealed to IP66, PC1

### IN-LINE



**FX0180, FX0280, FX0380**

- Protection Category PC1
- Fuse Sizes 5 x 20mm, 6.3 x 25mm and 6.3 x 32mm
- Screw Terminal (Solder to order)
- 10A, 50V (250V Inaccessible)
- UL Approved
- Clear or black



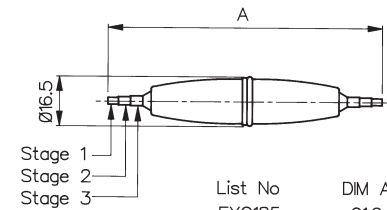
List No.	DIM A
FX0180	60.3
FX0280	54.5
FX0380	48.6

### IN-LINE



**FX0185, FX0285, FX0385**

- Sealed to IP66
- Protection Category PC1
- Fuse Sizes 5 x 20mm, 6.3 x 25mm and 6.3 x 32mm
- Screw Terminal (Solder to order)
- 10A, 50V (250V Inaccessible)
- UL Approved
- Clear or black



List No.	DIM A
FX0185	91.0
FX0285	85.2
FX0385	79.2

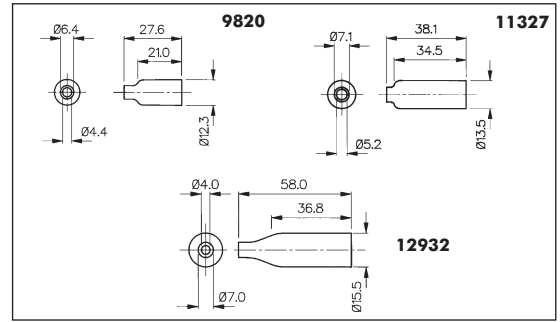
Specification	FX0180, FX0280, FX0380/Colour	FX0185, FX0285, FX0385/Colour
Fuse Size:	5 x 20mm FX0380 6.3 x 25mm FX0280 6.3 x 32mm FX0180	5 x 20mm FX0385 6.3 x 25mm FX0285 6.3 x 32mm FX0185
Cable Acceptance:	1mm <sup>2</sup> conductor (max.)	1mm <sup>2</sup> conductor (max.) 1mm to 2.64mm overall diameter Stepped grommet: Stage 1: 1.00mm to 1.40mm Stage 2: 1.50mm to 1.90mm Stage 3: 2.0mm to 2.64mm
Terminations:	Screw terminal (solder to order)	Screw Terminal (solder to order)
Max. Rating:	10A, 50V (250V where inaccessible inside equipment)	10A, 50V (250V where inaccessible inside equipment)
Insulation Resistance:	>10 <sup>5</sup> MΩ @ 500V d.c.	>10 <sup>5</sup> MΩ @ 500V d.c.
High Voltage Proof Test:	2kV (50Hz for 1 minute)	2kV (50Hz for 1 minute)
Contact Resistance:	<10mΩ	<10mΩ
Operating Temp.: (ambient air temp + fuse temp rise)	-20°C to +90°C	-20°C to +70°C
Sealing:		Protection Classification IP66 BS60529: 1992
Mouldings:		
Body - Clear:	Polybutene UL94HB rated	Polybutene UL94HB rated
Body - Black:	Nylon 6 UL94V-0 rated	Nylon 6 UL94V-0 rated
Grommet:		PVC
O Ring:		Nitrile
Contacts:		
Terminals:	Brass, Nickel Plated	Brass, Nickel Plated
Grub Screw:	Stainless Steel	Stainless Steel
Approvals:		
Colour:	Clear - no suffix, /BK - Black	Clear - no suffix, /BK - Black
<b>RoHS</b>	Compliant	Compliant

Accessories

INSULATION BOOTS



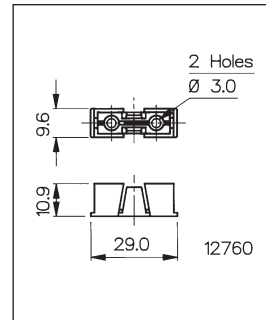
- Provide Insulation against Shock on Rear of Fuseholder
- PVC
- UL94V-0 rated flame retardant material



INSULATION COVER



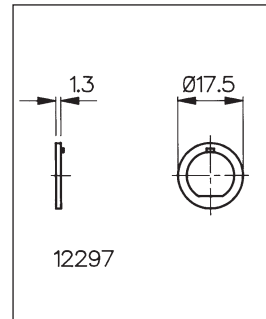
- Provide Insulation from Live Parts on Fuseholder
- Clear
- Polycarbonate



ADAPTOR



- Adaptor to Convert Fixing Holes
- Maintains Anti-Rotation
- Glass Filled Nylon



Accessories

For Use With:

PNo. 9820 (Boot)	FX0296, FX0296/1, FX0296/S
PNo. 11327 (Boot)	FX0354, FX0354/S, FX0357, FX0359, FX0454, FX0454/S, FX0455, FX0455/S, FX0460, FX0458, FX0367, FX0369, FX0462, FX0463
PNo. 12932 (Boot)	FX0415, FX0415/S, FX0416, FX0416/S
PNo. 12760 (Cover)	FX0267, FX0321
Max. Working Voltage:	250V a.c.
Flash Tested to:	2kV a.c.
Material:	P.Nos. 9820, 11327, 12932: PVC - UL94V-0 P.No. 12760: Polycarbonate
PNo. 12297 (Adaptor Washer)	Adapts 'D' fixing to anti-rotation Key Fixing FX0455, FX0455/S
Material:	Glass Filled Nylon
<b>RoHS</b>	Compliant







# Indicators

This range of panel mounting LED indicators consists of many different bezel styles, types of LED's and colours. The range has developed to meet the many different needs of panel design including IP67 environmentally sealed versions for use where a front panel seal is needed.

The vandal resistant LED indicators are designed to complement the vandal resistant switches (see the Switch Section), they have similar profiles with stainless steel bodies, sealing to IP66 & 68 and are built to withstand harsh environments.

Type	Page
<b>Vandal Resistant LEDs</b>	
DX0505, DX0506	166
DX0507, DX0508	167
<b>LEDs</b>	
DX0998, DX0999	168
DX1120, DX1121	168
DX1090, DX1091, DX1092, DX1093	169
DX1116, DX1117, DX1118, DX1119	170

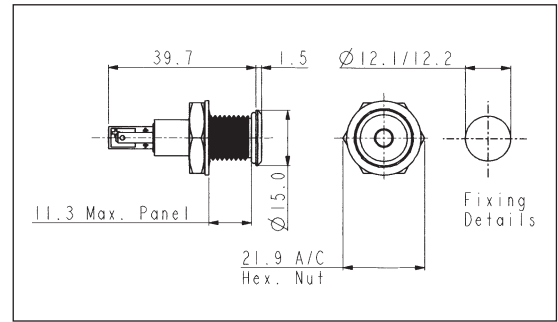
Vandal Resistant LED Indicators

PROUD OF PANEL PROFILE



**DX0505**

- Solder Tag/2.8mm Tag Termination
- Sealed to IP67
- Red, Green, Yellow or Blue LED Options
- Wide Viewing Angle
- Shock and Vibration Resistant
- Stainless Steel body

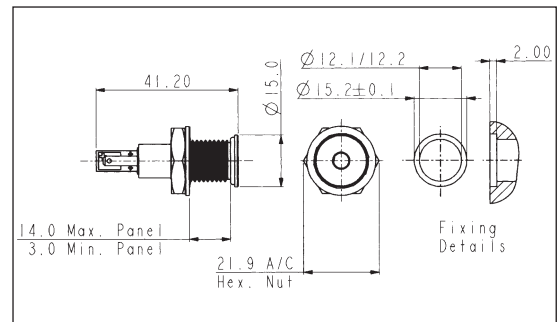


FLUSH PANEL PROFILE



**DX0506**

- Solder Tag/2.8mm Tag Termination
- Sealed to IP67
- Red, Green, Yellow or Blue LED Options
- Wide Viewing Angle
- Shock and Vibration Resistant
- Stainless Steel body

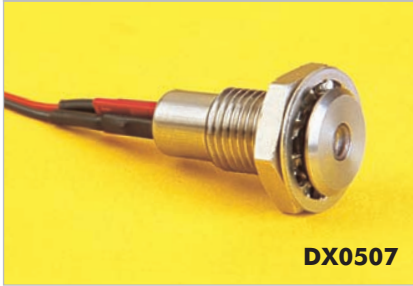


Specification	DX0505/Col/Voltage	DX0506/Col/Voltage
Terminations:	Solder Tab/2.8mm Tab	Solder Tab/2.8mm Tab
Forward Voltage:	Red 1.85V, Green 2.2V, Yellow 2.0V, Blue 3.8V	Red 1.85V, Green 2.2V, Yellow 2.0V, Blue 3.8V
Cont. Forward Current: (max)	Red 30mA, Green 25mA, Yellow 30mA, Blue 25mA	Red 30mA, Green 25mA, Yellow 30mA, Blue 25mA
Power Dissipation:	Red 100mW, Green 105mW, Yellow 125mW, Blue 120mW	Red 100mW, Green 105mW, Yellow 125mW, Blue 120mW
Reverse Current: (@Vr = 5V)	Red 10µA max., Green 10µA max., Yellow 10µA max., Blue 50µA max.	Red 10µA max., Green 10µA max., Yellow 10µA max., Blue 50µA max.
LED Luminous Intensity:	Red 2000mcd, Green 100mcd, Yellow 400mcd, Blue 1600mcd (typ)	Red 2000mcd, Green 100mcd, Yellow 400mcd, Blue 1600mcd (typ)
Operating Temp. Range:	-40°C to +80°C	-40°C to +80°C
Storage Temperature:	-40°C to +85°C	-40°C to +85°C
Sealing (Front of panel):	Protection Classification IP67 to BS EN60529:1992	Protection Classification IP67 to BS EN60529:1992
Materials:		
Body:	Stainless Steel	Stainless Steel
Lens:	Polycarbonate UL94V-0	Polycarbonate UL94V-0
O Ring (external):	Nitrile	Nitrile
(internal):	Silicon	Silicon
Tightening Torque:	0.5Nm - 0.9Nm (4.4lbf.in. - 8.0lbf.in.)	0.5Nm - 0.9Nm (4.4lbf.in. - 8.0lbf.in.)
Thread Size:	M12 x 1.25-6g	M12 x 1.25-6g
LED Colours:	/RD (Red), /GN (Green), /YL (Yellow) /BL (Blue), with colour coded insulator	/RD (Red), /GN (Green), /YL (Yellow) /BL (Blue), with colour coded insulator
LED Voltage:	/12 (12V d.c.), /24 (24V d.c.) or /00 (no ballast resistor)	/12 (12V d.c.), /24 (24V d.c.) or /00 (no ballast resistor)
RoHS	Compliant	Compliant

INDICATORS

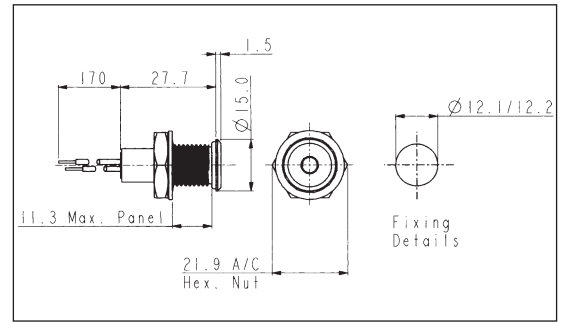
**Vandal Resistant LED Indicators**

**PROUD OF PANEL PROFILE**



**DX0507**

- Flying Lead Termination
- Sealed to IP67
- Red, Green, Yellow or Blue LED Options
- Wide Viewing Angle
- Shock and Vibration Resistant
- Stainless Steel body

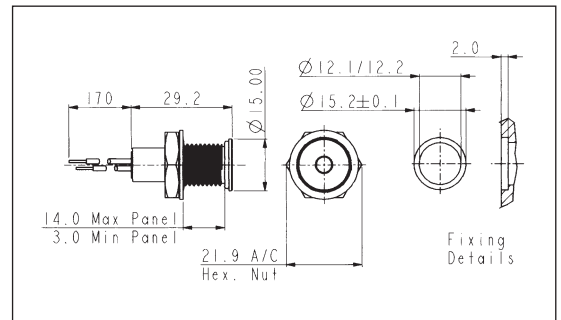


**FLUSH PANEL PROFILE**



**DX0508**

- Flying Lead Termination
- Sealed to IP67
- Red, Green, Yellow or Blue LED Options
- Wide Viewing Angle
- Shock and Vibration Resistant
- Stainless Steel body



Specification	DX0507/Col/Voltage	DX0508/Col/Voltage
Terminations:	Flying Leads	Flying Leads
Forward Voltage:	Red 1.85V, Green 2.2V, Yellow 2.0V, Blue 3.8V	Red 1.85V, Green 2.2V, Yellow 2.0V, Blue 3.8V
Cont. Forward Current: (max)	Red 30mA, Green 25mA, Yellow 30mA, Blue 25mA	Red 30mA, Green 25mA, Yellow 30mA, Blue 25mA
Power Dissipation:	Red 100mW, Green 105mW, Yellow 125mW, Blue 120mW	Red 100mW, Green 105mW, Yellow 125mW, Blue 120mW
Reverse Current: (@Vr = 5V)	Red 10µA max., Green 10µA max., Yellow 10µA max., Blue 50µA max.	Red 10µA max., Green 10µA max., Yellow 10µA max., Blue 50µA max.
LED Luminous Intensity:	Red 2000mcd, Green 100mcd, Yellow 400mcd, Blue 1600mcd (typ)	Red 2000mcd, Green 100mcd, Yellow 400mcd, Blue 1600mcd (typ)
Operating Temp. Range:	-40°C to +80°C	-40°C to +80°C
Storage Temperature:	-40°C to +85°C	-40°C to +85°C
Sealing (Front of panel):	Protection Classification IP67 to BS EN60529:1992	Protection Classification IP67 to BS EN60529:1992
Materials:		
Body:	Stainless Steel	Stainless Steel
Lens:	Polycarbonate UL94V-0	Polycarbonate UL94V-0
O Ring (external):	Nitrile	Nitrile
(internal):	Silicon	Silicon
Tightening Torque:	0.5Nm - 0.9Nm (4.4lbf.in. - 8.0lbf.in.)	0.5Nm - 0.9Nm (4.4lbf.in. - 8.0lbf.in.)
Thread Size:	M12 x 1.25-6g	M12 x 1.25-6g
LED Colours:	/RD (Red), /GN (Green), /YL (Yellow) /BL (Blue), with colour coded insulator	/RD (Red), /GN (Green), /YL (Yellow) /BL (Blue), with colour coded insulator
LED Voltage:	/12 (12V d.c.), /24 (24V d.c.) or /00 (no ballast resistor)	/12 (12V d.c.), /24 (24V d.c.) or /00 (no ballast resistor)
RoHS	Compliant	Compliant

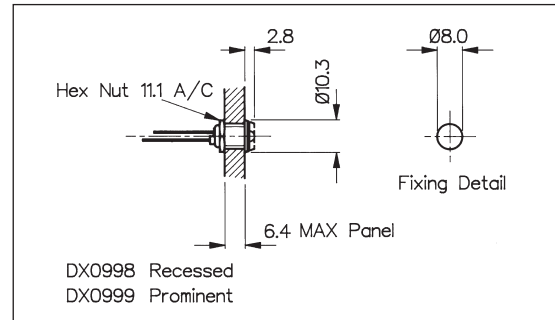
INDICATORS

## 5mm LED Indicators

### CHROME PLATED BRASS BEZEL



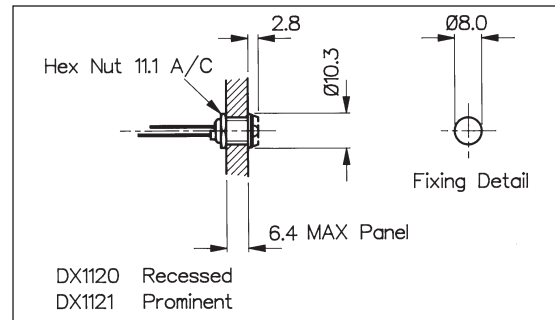
- Chrome Plated Brass Bezel
- Prominent or Recessed Style
- Choice of LED Types and Colours



### NYLON BEZEL



- Glass Filled Nylon Bezel
- Prominent or Recessed Style
- Choice of LED Types and Colours



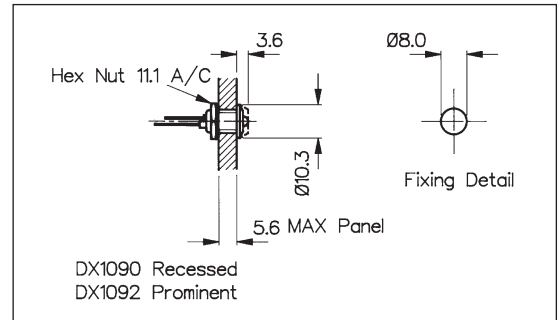
Specification	DX0998, DX0999/Colour/Options	DX1120, DX1121/Colour/Options
Bezel Material:	Brass, Chrome Plated	Glass filled Nylon
Style:	Recessed (DX0998) Prominent (DX0999)	Recessed (DX1120) Prominent (DX1121)
Operating Temp. Range:	Dependent on LED used	Dependent on LED used
Storage Temperature:	Dependent on LED used	Dependent on LED used
LED Colours:	/RD (Red), /GN (Green), /YL (Yellow), /BL (Blue), /TR (Tri Colour), /D1 (Dual Colour - Red/Green), /D2 (Dual Colour - Red/Amber), /D3 (Dual Colour - Green/Amber)	/RD (Red), /GN (Green), /YL (Yellow), /BL (Blue), /TR (Tri Colour), /D1 (Dual Colour - Red/Green), /D2 (Dual Colour - Red/Amber), /D3 (Dual Colour - Green/Amber)
LED Options:	/02 (Flashing, Green or Red only)	/02 (Flashing, Green or Red only)
Thread Size:	0.312" x 32TPI	0.312" x 32TPI
	See Page 171 for LED options and specifications	
RoHS	Compliant	Compliant

5mm LED Indicators

ALUMINIUM BEZEL - IP66 SEALED



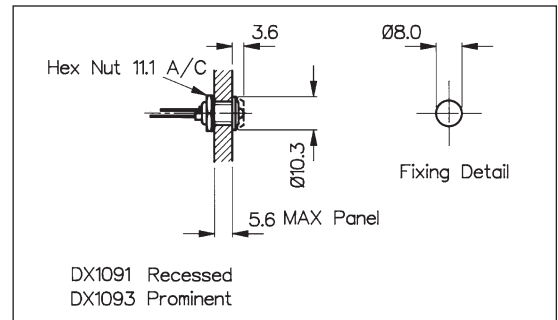
- Aluminium Bezel, Black Anodised Finish
- IP66 Front Panel Sealed
- Prominent or Recessed Style
- Choice of LED Types and Colours



ALUMINIUM BEZEL - IP66 SEALED



- Aluminium Bezel, Clear Anodised Finish
- IP66 Front Panel Sealed
- Prominent or Recessed Style
- Choice of LED Types and Colours



Specification	DX1090, DX1092/Colour/Options	DX1091, DX1093/Colour/Options
Materials:	Aluminium - Black	Aluminium - Clear
Style:	Recessed (DX1090) Prominent (DX1092)	Recessed (DX1091) Prominent (DX1093)
Operating Temp. Range:	Dependent on LED used	Dependent on LED used
Storage Temperature:	Dependent on LED used	Dependent on LED used
Sealing (Front of panel):	Protection Classification IP66 to BS EN60529: 1992	Protection Classification IP66 to BS EN60529: 1992
Tightening Torque:	0.056Nm (8ozf.in.) min	0.056Nm (8ozf.in.) min
Lead Solder Time:	260°C for 5 seconds max.	260°C for 5 seconds max.
LED Colours:	/RD (Red), /GN (Green), /YL (Yellow), /BL (Blue), /TR (Tri Colour), /D1 (Dual Colour - Red/Green), /D2 (Dual Colour - Red/Amber), /D3 (Dual Colour - Green/Amber)	/RD (Red), /GN (Green), /YL (Yellow), /BL (Blue), /TR (Tri Colour), /D1 (Dual Colour - Red/Green), /D2 (Dual Colour - Red/Amber), /D3 (Dual Colour - Green/Amber)
LED Options:	/02 (Flashing, Green or Red only)	/02 (Flashing, Green or Red only)
Thread Size:	0.312" x 32TPI See Page 171 for LED options and specifications	0.312" x 32TPI
RoHS	Compliant	Compliant

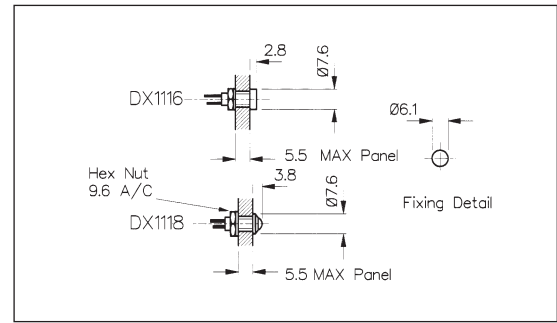
INDICATORS

## 4mm LED Indicators

### CHROME PLATED BRASS BEZEL



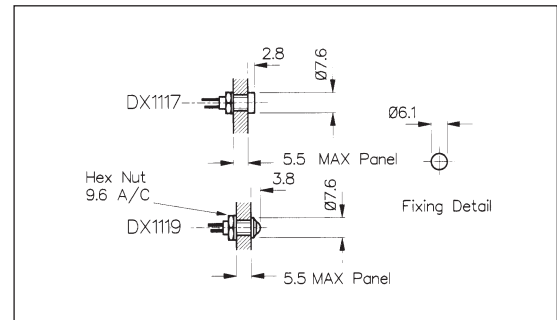
- Chrome Plated Brass Bezel
- Prominent or Recessed Style
- Choice of LED Types and Colours



### BLACK NICKEL PLATED BRASS BEZEL



- Aluminium, Black Anodised Bezel
- Prominent or Recessed Style
- Choice of LED Types and Colours



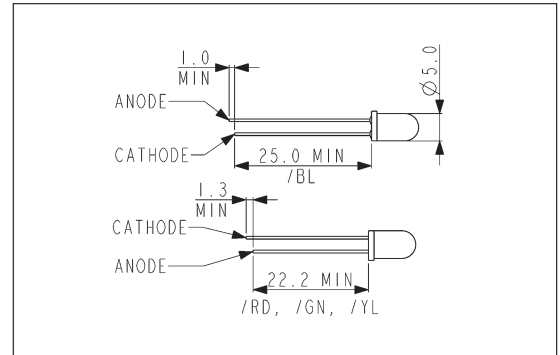
Specification	DX1116, DX1118/Colour	DX1117, DX1119/Colour
Bezel Materials:	Brass, Chrome Plated	Aluminium, Black Anodised
Style:	Recessed (DX1116) Prominent (DX1118)	Recessed (DX1117) Prominent (DX1119)
Operating Temp. Range:	Dependent on LED used	Dependent on LED used
Storage Temperature:	Dependent on LED used	Dependent on LED used
Lead Solder Time:	260°C for 5 seconds max.	260°C for 5 seconds max.
LED Colours:	/RD (Red), /GN (Green), /YL (Yellow), /BL (Blue)	/RD (Red), /GN (Green), /YL (Yellow), /BL (Blue)
<b>RoHS</b>	Compliant	Compliant
	See Page 172 for LED specifications	



**5mm LED options**

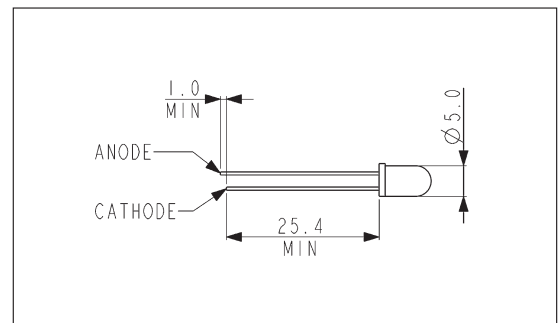
**5mm LEDs STANDARD**

Specification	Red	Green	Yellow	Blue
Luminous Intensity @20mA:	25mcd	20mcd	20mcd	21mcd
Forward voltage:	2.0V	2.0V	2.1V	3.5V
Cont. Forward Current (max):	30mA	25mA	30mA	30mA
Power Dissipation:	105mW (max) @20°C Ambient			120mW
Reverse Current:	10µA	10µA	10µA	50µA
Reverse Voltage:	5V (max)	5V (max)	5V (max)	5V (max)
Operating Temp:	-40°C to +85°C			-20°C to +80°C
Part No:	/RD	/GN	/YL	/BL



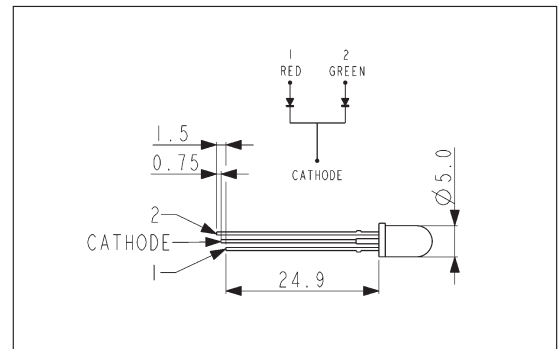
**5mm LEDs FLASHING**

Specification	Red	Green
Luminous Intensity @20mA:	1.2mcd	1.2mcd
Forward voltage:	2.0-15.0V	2.0-15.0V
Cont. Forward Current:	10-30mA	10-30mA
Power Dissipation:	200mW (max) @ 20°C ambient	
Flash Frequency @ 3V supply:	2.2Hz (typ)	
Operating Temp:	0°C to +70°C	
Part No:	/RD/02	/GN/02



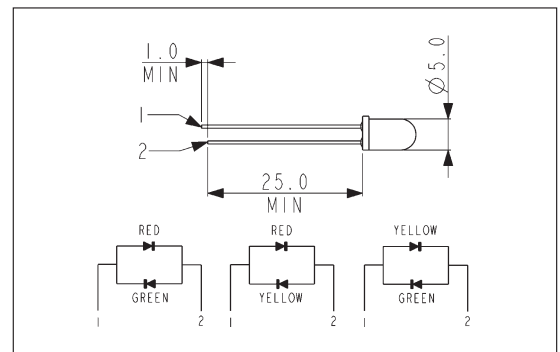
**5mm LEDs TRI COLOUR**

Specification	Red/Green/Amber
Luminous Intensity @10mA:	2.5mcd
Forward voltage:	2.4V
Cont. Forward Current:	30mA (max)
Power Dissipation:	150mW (max) @ 20°C Ambient
Reverse Current:	100µA
Reverse Voltage:	5V (max)
Operating Temp:	-40°C to +70°C
Part No:	/TR



**5mm LEDs DUAL COLOUR**

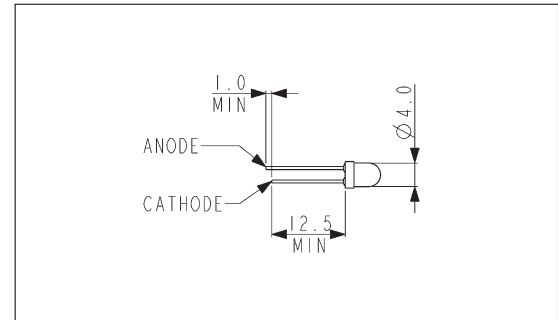
Specification	Red/Green	Red/Amber	Green/Amber
Luminous Intensity:	4.5/5mcd	4.5/4mcd	4/5mcd
Forward voltage:	2.2V	2.2V	2.2V
Cont. Forward Current:	30mA/30mA	30mA/20mA	30mA/20mA
Power Dissipation:	100mW/100mW	100mW/60mW	100mW/60mW
Reverse Current:	100mA	100mA	100mA
Reverse Voltage:	5V (max)	5V (max)	5V (max)
Operating Temp:	-40°C to +85°C		
Part No:	/D1	/D2	/D3



## 4mm LED options

### 4mm LEDs STANDARD

Specification	Red	Green	Yellow	Blue
Luminous Intensity @10mA:	2.5mcd	2.5mcd	2.5mcd	50mcd
Forward voltage:	2.0V	2.1V	2.0V	3.8V
Cont. Forward Current (max):	30mA	30mA	20mA	30mA
Power Dissipation (max) @ 20°C Ambient:	100mW	100mW	85mW	120mW
Reverse Current:	10µA	10µA	10µA	50µA
Reverse Voltage:	5V (max)			
Part No:	/RD	/GN	/YL	/BL



### PART NO BREAKDOWN

**DXxxxx / xx / xx**

Bezel Type

LED Colour

**RD** = Red

**GN** = Green

**YL** = Yellow

**BL** = Blue

**D1** = Dual Colour - 5mm (Red/Green)

**D2** = Dual Colour - 5mm (Red/Amber)

**D3** = Dual Colour - 5mm (Green/Amber)

**TR** = Tri Colour - 5mm (Red/Green/Amber)

LED Options

**Blank** = Standard

**02** = Flashing - 5mm (Red or Green only)

**Example:**

DX1092/RD/02 = Black Aluminum IP66 Prominent Bezel, with Red flashing LED



# Switches

Manufactured from Stainless Steel, Bulgin's extensive range of vandal resistant security switches are designed with a high resistance to wear and tear, corrosion and harsh use in potentially hostile environments such as access control applications.

The front and rear panel mounted versions have three profiles – prominent, domed and low profile – with a choice of switching and IP66 & IP68 front panel sealing which combined together to meet the ergonomic, electrical and environmental demands of switch panel design. And where the ultimate strength of steel is not needed, there is a brass, chrome plated alternative. The low profile style switches are now also available with a latching, push on - push off, action.

The illuminated versions are available in dot and ring LED indication and a variety of illumination colours including bi-colour LED's. Newer versions also feature LED illumination driven by 6V, 12V & 24V together with rear of panel sealing, these options will add that extra dimension to control panel layouts and functionality.

The standard range of vandal resistant switches are complemented by a range of 16mm stainless steel switches of robust construction designed for use in applications where space is at a premium.

Type	Page
<b>Low Profile Vandal Resistant</b>	
MP0025	174
MP0027	174
MP0038	174
MP0031	175
MP0034	175
MP0037	175
<b>Low Profile Vandal Resistant - Latching</b>	
MPL025	176
MPL027	176
MPL038	176
MPL031	177
MPL034	177
<b>Low Profile Vandal Resistant - Double Pole</b>	
MPD0031	178
<b>Illuminated Vandal Resistant</b>	
MPI001	179
MPI002	180
MPI001, MPI002 through panel sealed	181
<b>Brass Chrome Plated Vandal Resistant</b>	
MPB038	182
MPB031	182
MPB037	182
<b>Low Profile Vandal Resistant - Large Diameter</b>	
MP0050	183
MP0050/2	183

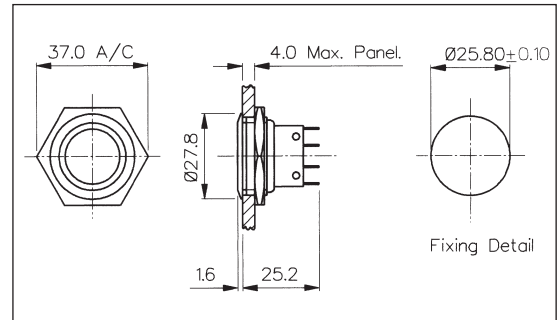
Type	Page
<b>Domed Vandal Resistant</b>	
MP0027/3	184
MP0038/3	184
MP0025/3	184
MP0037/3	185
MP0031/3	185
MP0034/3	185
<b>Prominent Vandal Resistant</b>	
MP0027/2	186
MP0038/2	186
MP0025/2	186
MP0037/2	187
MP0031/2	187
MP0034/2	187
<b>Push Button</b>	
MP0013	188
MP0033	188
MP0013/2	188
MP0033/2	188
<b>Stainless Steel - 16mm</b>	
MP0042	189
MP0045	190-193
<b>Push Button</b>	
MP0012	194
MP0016	194
MP0022	195
<b>Voltage Selectors</b>	
VS0001	196
VS0002	196

## Stainless Steel Low Profile Vandal Resistant - Momentary

### FRONT PANEL MOUNTING



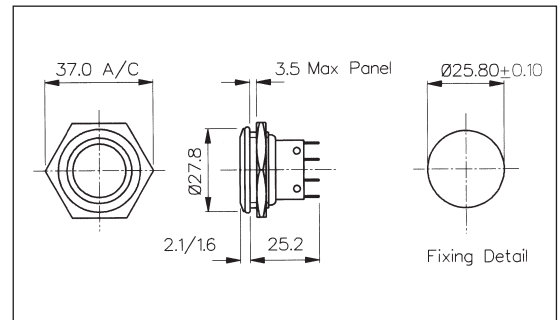
- 28mm diameter
- S.P.C.O. Microswitch
- 5A, 250Vac



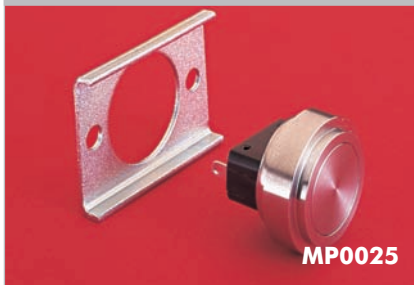
### FRONT PANEL MOUNTING



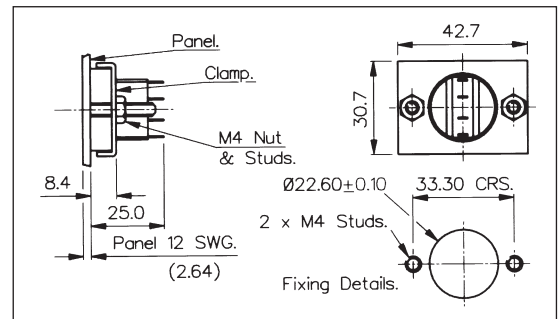
- Front Panel Sealed to IP66
- 28mm diameter
- S.P.C.O. Microswitch
- 5A, 250Vac



### REAR PANEL MOUNTING



- 22mm diameter
- S.P.C.O. Microswitch
- 5A, 250Vac



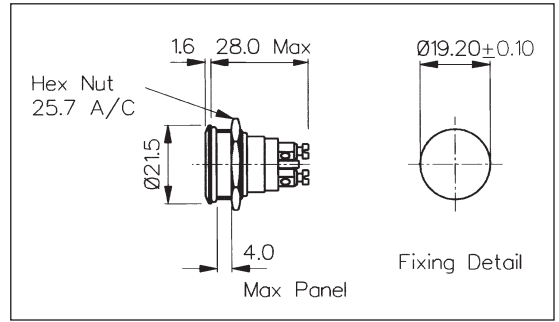
Specification	MP0027	MP0038	MP0025
Terminations:	Solder Tags	Solder Tags	Solder Tags
Switching:	S.P.C.O. Momentary Action (Microswitch)	S.P.C.O. Momentary Action (Microswitch)	S.P.C.O. Momentary Action (Microswitch)
Max. Rating:	5A, 250Vac 2A, 28Vdc	5A, 250Vac 2A, 28Vdc	5A, 250Vac 2A, 28Vdc
Contact Resistance:	<10mΩ	<10mΩ	<10mΩ
Insulation Resistance:	>10 <sup>3</sup> MΩ	>10 <sup>3</sup> MΩ.	>10 <sup>3</sup> MΩ
Dielectric Strength:	>2.0kVac	>2.0kVac	>2.0kVac
Operating Temp. Range:	-20°C to +70°C	-20°C to +70°C	-20°C to +70°C
Sealing (Front of panel only):		Protection Classification: IP66 EN60529 1992 (Micro switch not sealed)	
Operations			
Mechanical:	1,000,000 (min)	1,000,000 (min)	1,000,000 (min)
Electrical:	35,000 (min)	35,000 (min)	35,000 (min)
Operating Pressure:	7.5N (typ)	12.5N (typ)	6.1N (typ)
Rear Nut Fixing Torque:	2.5Nm	1.13Nm	-
Materials			
Mouldings:	Glass Filled Nylon	Glass Filled Nylon	Glass Filled Nylon
Tags/Terminations:	Brass, Tin Plated	Brass, Tin Plated	Brass, Tin Plated
Switch Body & Button:	Stainless Steel	Stainless Steel	Stainless Steel
Contacts:	Fine Silver	Fine Silver	Fine Silver
Thread size:	1.0" x 26TPI	1.0" x 26TPI	-
<b>RoHS</b>	Compliant	Compliant	Compliant

**Stainless Steel Low Profile Vandal Resistant - Momentary**

**FRONT PANEL MOUNTING**



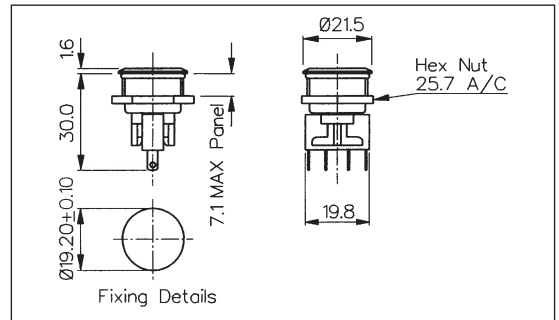
- Front Panel Sealed to IP68
- 21.5mm diameter
- S.P. Push to Make
- 1A, 50Vac/dc
- Industry Standard Size



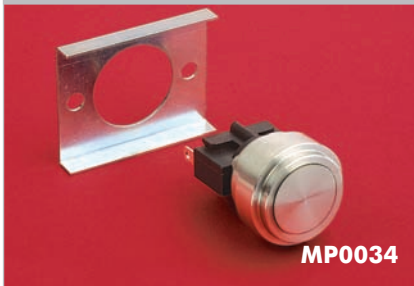
**FRONT PANEL MOUNTING**



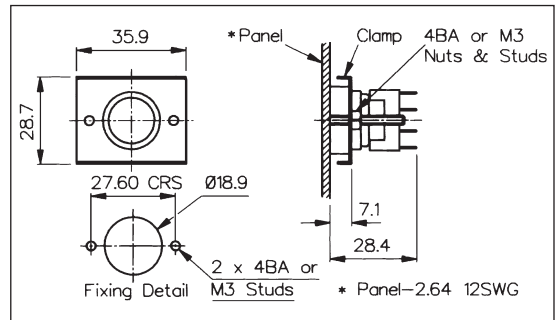
- Front Panel Sealed to IP66
- 21.5mm diameter
- S.P.C.O. Microswitch
- 5A, 250Vac



**REAR PANEL MOUNTING**



- Rear Panel Mounting
- Flush with Panel
- 19mm diameter
- S.P.C.O. Microswitch
- 5A, 250Vac



Specification	MP0037	MP0031	MP0034
Terminations:	Screw Terminals	Solder Tags	Solder Tags
Switching:	S.P. Push to make Momentary action	S.P.C.O. Momentary Action (Microswitch)	S.P.C.O. Momentary Action (Microswitch)
Max. Rating:	1A, 50Vac/dc	5A, 250Vac 2A, 28Vdc	5A, 250Vac 2A, 28Vdc
Contact Resistance:	<10mΩ	<10mΩ	<10mΩ
Insulation Resistance:	>10 <sup>5</sup> MΩ	>10 <sup>3</sup> MΩ.	>10 <sup>3</sup> MΩ
Dielectric Strength:	>1.0kVac	>2.0kVac	>2.0kVac
Operating Temp. Range:	-20°C to +70°C	-20°C to +70°C	-20°C to +70°C
Sealing (Front of panel only):	Protection Classification: IP68 EN60529 1992 (Terminals not sealed)	Protection Classification: IP66 EN60529 1992 (Micro switch not sealed)	
Operations			
Mechanical:	1,000,000 (min)	1,000,000 (min)	250,000 (min)
Electrical:	30,000 (min)	35,000 (min)	35,000 (min)
Operating Pressure:	7.5N (typ)	4.7N (typ)	2.7N (typ)
Rear Nut Fixing Torque:	0.57Nm	0.57Nm	-
Materials			
Mouldings:	Glass Filled Nylon	Glass Filled Nylon	Glass Filled Nylon
Tags/Terminations:	Brass, Silver Plated	Brass, Tin Plated	Brass, Tin Plated
Switch Body & Button:	Stainless Steel	Stainless Steel	Stainless Steel
Contacts:	Brass, Silver Plated, Silver	Fine Silver	Fine Silver
Thread size:	0.747" x 26TPI	0.747" x 26TPI	-
RoHS	Compliant	Compliant	Compliant

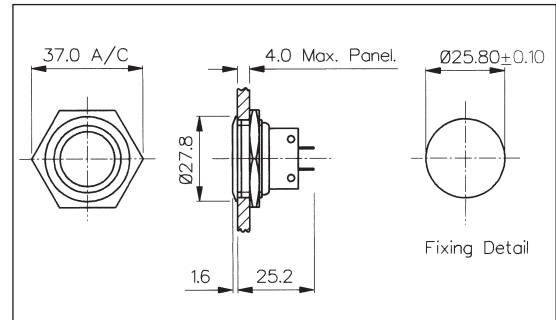
## Stainless Steel Low Profile Vandal Resistant - Latching

### FRONT PANEL MOUNTING



- 28mm diameter
- 2A, 50Vac/dc
- Single pole push to make
- Latching switch

**MPL027**

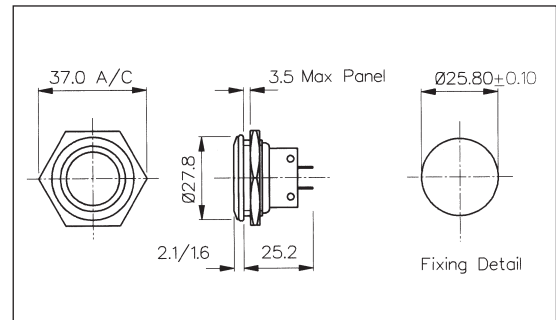


### FRONT PANEL MOUNTING

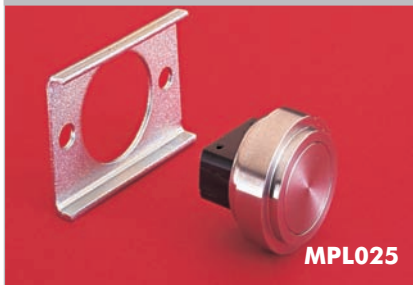


- Front Panel Sealed to IP66
- 28mm diameter
- 2A, 50Vac/dc
- Single pole push to make
- Latching switch

**MPL038**  
Sealed to IP66

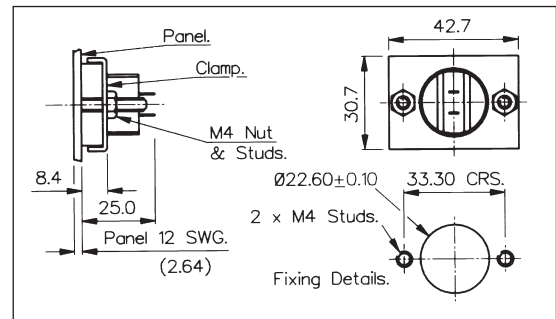


### REAR PANEL MOUNTING



- 22mm diameter
- 2A, 50Vac/dc
- Single pole push to make
- Latching switch

**MPL025**



Specification	MPL027	MPL038	MPL025
Terminations:	Solder Tags	Solder Tags	Solder Tags
Switching:	S.P.M.B. - Latching	S.P.M.B. - Latching	S.P.M.B. - Latching
Max. Rating:	2A, 50Vac/dc	2A, 50Vac/dc	2A, 50Vac/dc
Contact Resistance:	<10mΩ	<10mΩ	<10mΩ
Insulation Resistance:	>10 <sup>3</sup> MΩ	>10 <sup>3</sup> MΩ.	>10 <sup>3</sup> MΩ
Dielectric Strength:	>2.0kVac	>2.0kVac	>2.0kVac
Operating Temp. Range:	-20°C to +70°C	-20°C to +70°C	-20°C to +70°C
Sealing (Front of panel only):	-	Protection Classification: IP66 EN60529 1992 (Switch not sealed)	-
Operations			
Mechanical:	8,000 (min)	8,000 (min)	8,000 (min)
Electrical:	8,000 (min)	8,000 (min)	8,000 (min)
Operating Pressure:	5.5N (typ)	5.5N (typ)	5.5N (typ)
Rear Nut Fixing Torque:	2.5Nm	1.13Nm	-
Materials			
Mouldings:	Glass Filled Nylon	Glass Filled Nylon	Glass Filled Nylon
Tags/Terminations:	Brass, Tin Plated	Brass, Tin Plated	Brass, Tin Plated
Switch Body & Button:	Stainless Steel	Stainless Steel	Stainless Steel
Contacts:	Fine Silver	Fine Silver	Fine Silver
Thread size:	1.0" x 26TPI	1.0" x 26TPI	-
RoHS	Compliant	Compliant	Compliant



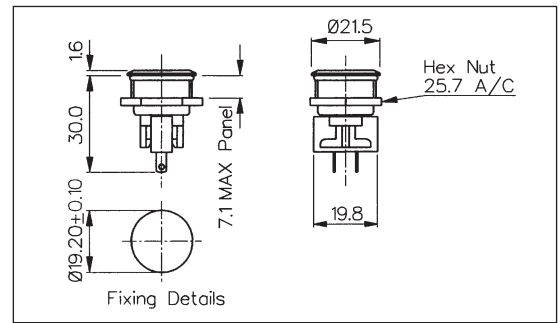
**Stainless Steel Low Profile Vandal Resistant - Latching**

**FRONT PANEL MOUNTING**

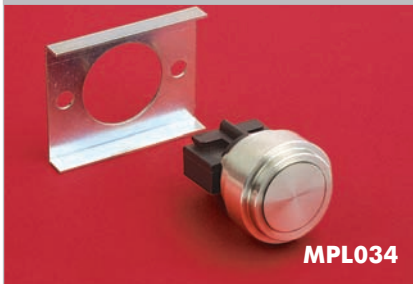


**MPL031**  
Sealed to IP66

- Front Panel Sealed to IP66
- 21.5mm diameter
- 2A, 50Vac/dc
- Single pole push to make
- Latching switch

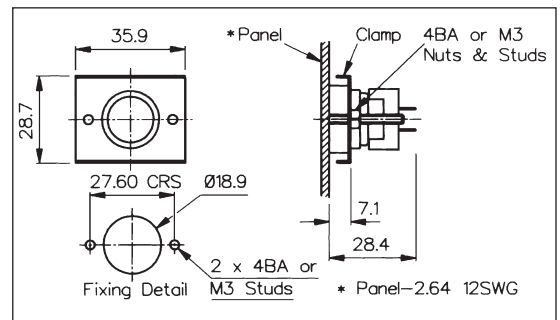


**REAR PANEL MOUNTING**



**MPL034**

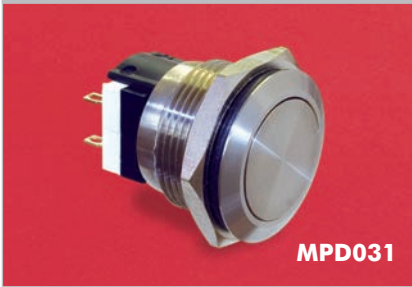
- Rear Panel Mounting
- Flush with Panel
- 19mm diameter
- 2A, 50Vac/dc
- Single pole push to make
- Latching switch



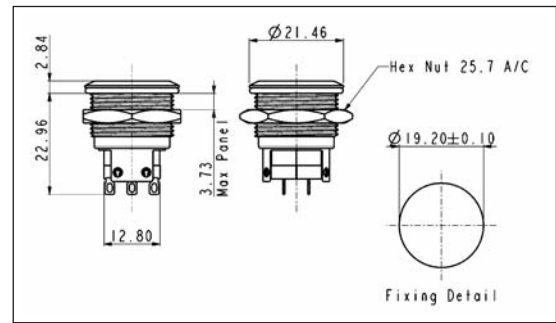
Specification	MPL031	MPL034
Terminations:	Solder Tags	Solder Tags
Switching:	S.P.M.B. - Latching	S.P.M.B. - Latching
Max. Rating:	2A, 50Vac/dc	2A, 50Vac/dc
Contact Resistance:	<10mΩ	<10mΩ
Insulation Resistance:	>10 <sup>3</sup> MΩ	>10 <sup>3</sup> MΩ
Dielectric Strength:	>2.0kVac	>2.0kVac
Operating Temp. Range:	-20°C to +70°C	-20°C to +70°C
Sealing (Front of panel only):	Protection Classification: IP66 EN60529 1992 (Switch not sealed)	
Operations		
Mechanical:	8,000 (min)	8,000 (min)
Electrical:	8,000 (min)	8,000 (min)
Operating Pressure:	5.5N (typ)	5.5N (typ)
Rear Nut Fixing Torque:	0.57Nm	-
Materials		
Mouldings:	Glass Filled Nylon	Glass Filled Nylon
Tags/Terminations:	Brass, Tin Plated	Brass, Tin Plated
Switch Body & Button:	Stainless Steel	Stainless Steel
Contacts:	Fine Silver	Fine Silver
Thread size:	0.747" x 26TPI	-
<b>RoHS</b>	Compliant	Compliant

## Stainless Steel Low Profile Vandal Resistant - Momentary - Double Pole

### FRONT PANEL MOUNTING



- Front Panel Sealed to IP66
- 21.5mm diameter
- D.P.C.O. Microswitch
- 3A, 125Vac



Specification	MPD031
Terminations:	Solder Tags
Switching:	D.P.C.O. Momentary Action (Microswitch)
Max. Rating:	3A, 125Vac
Contact Resistance:	30-100mΩ max.
Insulation Resistance:	100MΩ min.
Dielectric Strength:	1,000VacRMS
Operating Temp. Range:	-20°C to +70°C
Sealing (Front of panel only):	Protection Classification: IP66 EN60529 1992 (Micro switch not sealed)
Operations	
Mechanical:	1,000,000
Electrical:	10,000 @ 3A, 125Vac
Rear Nut Fixing Torque:	0.57Nm
Materials	
Mouldings:	Glass Filled Nylon
Tags/Terminations:	Brass, Tin Plated
Switch Body & Button:	Stainless Steel
Contacts:	Brass, Silver Plated
Thread size:	0.747" x 26TPI
<b>RoHS</b>	Compliant

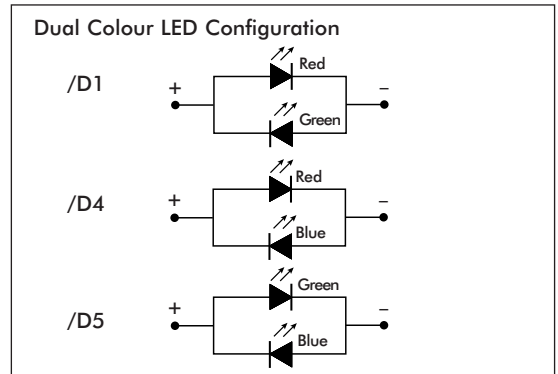
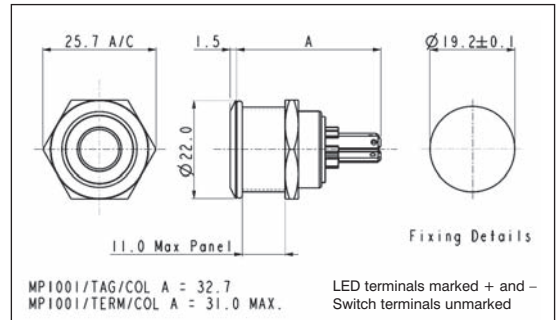
**Stainless Steel Illuminated Vandal Resistant**

**FRONT PANEL MOUNTING**



MPI001- front panel seal to IP66

- Dot illumination
- 22mm diameter
- Single pole push to make
- 50mA, 24Vdc contact rating
- Red, Green, Amber, Blue, White or dual colour illumination
- Bright daylight LEDs
- Independent LED terminals
- Front panel seal to IP66
- Integral supply resistors
- TVS protection



Specification	MPI001/Termination/Colour/Voltage
Illumination style:	Dot
Terminations:	/28 (2.8mm tabs), /TERM or /TE (screw terminals)
Switching:	Single pole, push to make, tactile (momentary action)
Max. Switch Rating:	50mA, 24Vdc
LEDs (ratings @ 20mA)	
Part No.	/RD    /GN    /AM    /BL    /WH    /D1    /D4    /D5
Colours	Red    Green    Amber    Blue    White    Red/Green    Red/Blue    Green/Blue
Luminous Intensity	900mcd    2500mcd    900mcd    1500mcd    900mcd    2500mcd/5000mcd    2000mcd/850mcd    4000mcd/2000mcd
Forward Voltage	1.85V    3.5V    2.3V    3.5V    3.6V    2.05V/3.6V    2.0V/3.6V    3.6V/3.6V
Forward Current	20mA    20mA    20mA    20mA    20mA    20mA    20mA    20mA
Moulding Colour	Red    Green    Amber    Blue    White    Black    Black    Black
Illumination Voltage:	/no suffix    No resistor fitted. <b>An appropriate resistor must be series connected by the user.</b> Voltages as above. /6    6Vdc /12    12Vdc /24    24Vdc
Contact Resistance:	< 100mΩ
Insulation Resistance:	> 10 <sup>3</sup> MΩ
Dielectric Strength:	Contact to Panel >2.0kV Contact to Contact 1500V
Operating Temp. Range:	-30°C to +70°C
Sealing (Front of panel only):	Protection Classification: IP66 EN60529 1992
Operations	
Mechanical:	750,000 (min)
Electrical:	35,000 (min)
Operating Pressure:	12N
Rear Nut Fixing Torque:	0.57Nm
Materials	
Switch assembly:	UL94V-0 rated Polyamide (Nylon)
Tags:	Copper Alloy
Terminals:	Copper Alloy
Switch Body & Button:	Stainless Steel
Lens and Lens Body:	Polycarbonate
O ring:	Nitrile
Internal seal:	Silicone
Contact Plate:	Gold Plated
Thread size:	18.97mm x 26TPI
	ESD Handling precautions must be taken
	Compliant



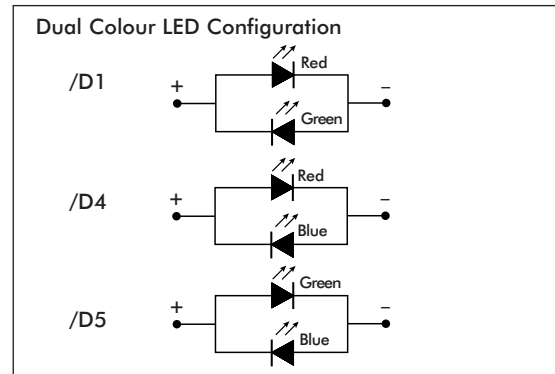
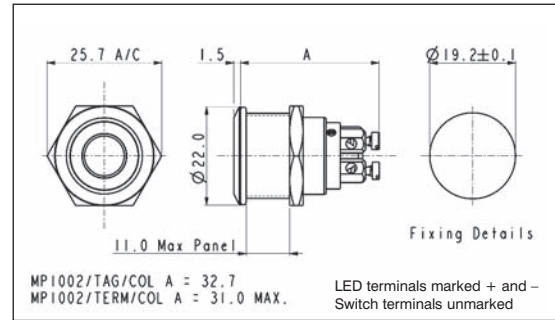
Stainless Steel Illuminated Vandal Resistant

FRONT PANEL MOUNTING



MPI002- front panel seal to IP66

- Ring illumination
- 22mm diameter
- Single pole push to make
- 50mA, 24Vdc contact rating
- Red, Green, Amber, Blue, White or dual colour illumination
- Bright daylight LEDs
- Independent LED terminals
- Front panel seal to IP66
- Integral supply resistors
- TVS protection



Specification	MPI002/Termination/Colour/Voltage
Illumination style:	Ring
Terminations:	/28 (2.8mm tabs), /TERM or /TE (screw terminals)
Switching:	Single pole, push to make, tactile (momentary action)
Max. Switch Rating:	50mA, 24Vdc
LEDs (ratings @ 20mA)	
Part No.	/RD    /GN    /AM    /BL    /WH    /D1    /D4    /D5
Colours	Red    Green    Amber    Blue    White    Red/Green    Red/Blue    Green/Blue
Luminous Intensity	900mcd    2500mcd    900mcd    1500mcd    900mcd    2500mcd/5000mcd    2000mcd/850mcd    4000mcd/2000mcd
Forward Voltage	1.85V    3.5V    2.3V    3.5V    3.6V    2.05V/3.6V    2.0V/3.6V    3.6V/3.6V
Forward Current	20mA    20mA    20mA    20mA    20mA    20mA    20mA    20mA
Moulding Colour	Red    Green    Amber    Blue    White    Black    Black    Black
Illumination Voltage:	/no suffix    No resistor fitted. <b>An appropriate resistor must be series connected by the user.</b> Voltages as above. /6    6Vdc /12    12Vdc /24    24Vdc
Contact Resistance:	< 100mΩ
Insulation Resistance:	> 10 <sup>3</sup> MΩ
Dielectric Strength:	Contact to Panel >2.0kV Contact to Contact 1500V
Operating Temp. Range:	-30°C to +70°C
Sealing (Front of panel only):	Protection Classification: IP66 EN60529 1992
Operations	
Mechanical:	750,000 (min)
Electrical:	35,000 (min)
Operating Pressure:	12N
Rear Nut Fixing Torque:	0.57Nm
Materials	
Switch assembly:	UL94V-0 rated Polyamide (Nylon)
Tags:	Copper Alloy
Terminals:	Copper Alloy
Switch Body & Button:	Stainless Steel
Lens and Lens Body:	Polycarbonate
O ring:	Nitrile
Internal seal:	Silicone
Contact Plate:	Gold Plated
Thread size:	18.97mm x 26TPI
	ESD Handling precautions must be taken
	Compliant



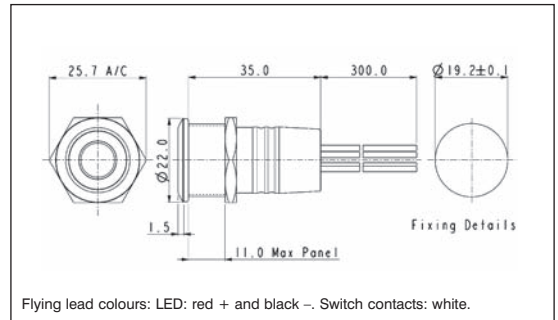
**Stainless Steel Illuminated Vandal Resistant with rear of panel IP66 seal**

**REAR PANEL SEALED - FLYING LEADS**



MPI002/FL/xx/x

- Dot or ring illumination
- 22mm diameter
- Single pole push to make
- 50mA, 24Vdc contact rating
- Red, Green, Amber, Blue & White illumination
- Bright daylight LEDs
- Independent LED terminals
- Front and rear panel seal to IP66
- Flying lead termination
- TVS protection

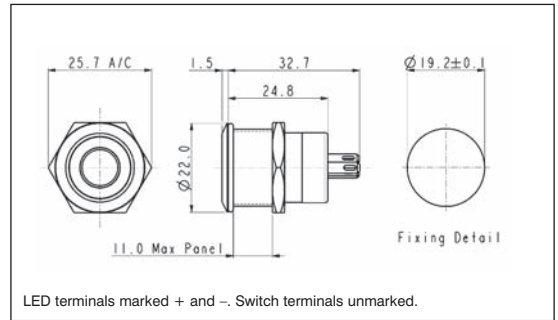


**REAR PANEL SEALED - SOLDER TAG**



MPI001/RP/xx/x

- Dot or ring illumination
- 22mm diameter
- Single pole push to make
- 50mA, 24Vdc contact rating
- Red, Green, Amber, Blue & White illumination
- Bright daylight LEDs
- Independent LED terminals
- Front and rear panel seal to IP66
- Solder tag termination
- TVS protection



Specification	MPI001/Termination/Colour/Voltage	MPI002/Termination/Colour/Voltage
<b>Illumination style:</b>	Dot	Ring
<b>Terminations:</b>	/FL (Flying leads) /RP (Solder tags)	/FL (Flying leads) /RP (Solder tags)
<b>Switching:</b>	Single pole, push to make, tactile (momentary action)	Single pole, push to make, tactile (momentary action)
<b>Max. Switch Rating:</b>	50mA, 24Vdc	50mA, 24Vdc
<b>LEDs (ratings @ 20mA)</b>		
Part No.	/RD /GN /AM /BL /WH	/RD /GN /AM /BL /WH
Colours	Red Green Amber Blue White	Red Green Amber Blue White
Luminous Intensity	900mcd 2500mcd 900mcd 1500mcd 900mcd	900mcd 2500mcd 900mcd 1500mcd 900mcd
Forward Voltage	1.85V 3.5V 2.3V 3.5V 3.6V	1.85V 3.5V 2.3V 3.5V 3.6V
Forward Current	20mA 20mA 20mA 20mA 20mA	20mA 20mA 20mA 20mA 20mA
<b>Illumination Voltage:</b>	/no suffix No resistor fitted. An appropriate resistor must be series connected by the user. Voltages as above.	/no suffix No resistor fitted. An appropriate resistor must be series connected by the user. Voltages as above.
	/6 6Vdc	/6 6Vdc
	/12 12Vdc	/12 12Vdc
	/24 24Vdc	/24 24Vdc
<b>Contact Resistance:</b>	< 100mΩ	< 100mΩ
<b>Insulation Resistance:</b>	> 10 <sup>3</sup> MΩ.	> 10 <sup>3</sup> MΩ.
<b>Dielectric Strength:</b>	Contact to panel >2.0kV Contact to contact 1500V	Contact to panel >2.0kV Contact to contact 1500V
<b>Operating Temp. Range:</b>	-30°C to +70°C	-30°C to +70°C
<b>Sealing</b> (Front & rear of panel):	Protection classification: IP66, EN60529 1992	Protection classification: IP66, EN60529 1992
<b>Operations</b>		
Mechanical:	750,000 (min)	750,000 (min)
Electrical:	35,000 (min)	35,000 (min)
<b>Operating Pressure:</b>	12N	12N
<b>Rear Nut Fixing Torque:</b>	0.57Nm	0.57Nm
<b>Materials</b>		
Switch assembly:	UL94V-0 rated Polyamide (Nylon)	UL94V-0 rated Polyamide (Nylon)
Tags:	Copper Alloy	Copper Alloy
Leads:	Tinned, stranded copper conductors	Tinned, stranded copper conductors
Switch Body & Button:	Stainless Steel	Stainless Steel
Lens and Lens Body:	Polycarbonate	Polycarbonate
O ring:	Nitrile	Nitrile
Internal seal:	Silicone	Silicone
Contact Plate:	Gold Plated	Gold Plated
<b>Thread size:</b>	18.97mm x 26TPI	18.97mm x 26TPI
	ESD Handling precautions must be taken	ESD Handling precautions must be taken
	Compliant	Compliant



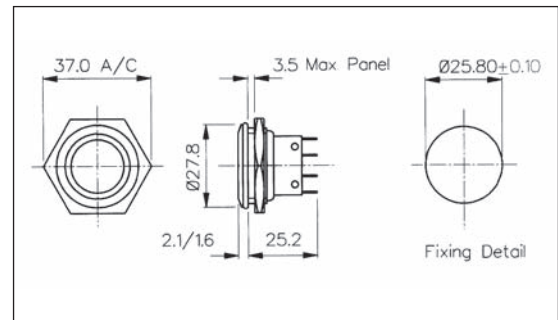
Low Profile Brass Chrome Plated Vandal Resistant

FRONT PANEL MOUNTING



**MPB038**  
Sealed to IP66

- Front Panel Sealed to IP66
- 28mm diameter
- S.P.C.O. Microswitch
- 5A, 250Vac

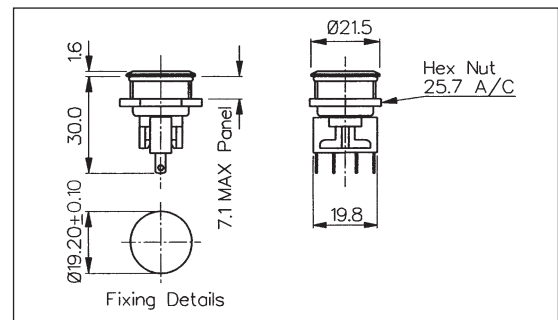


FRONT PANEL MOUNTING



**MPB031**  
Sealed to IP66

- Front Panel Sealed to IP66
- 21mm diameter
- S.P.C.O. Microswitch
- 5A, 250Vac

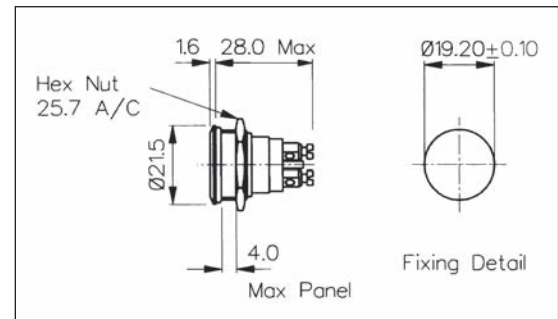


FRONT PANEL MOUNTING



**MPB037**  
Sealed to IP68

- Front Panel Sealed to IP68
- 21.5mm diameter
- S.P. Push to Make
- 1A, 50Vac/dc



Specification	MPB038	MPB031	MPB037
Terminations:	Solder Tags	Solder Tags	Screw Terminals
Switching:	S.P.C.O. Momentary Action (Microswitch)	S.P.C.O. Momentary Action (Microswitch)	S.P. Push to make Momentary action
Max. Rating:	5A, 250Vac. 2A, 28Vdc	5A, 250Vac 2A, 28Vdc	1A, 50Vac/dc
Contact Resistance:	<10mΩ	<10mΩ	<10mΩ
Insulation Resistance:	>10 <sup>3</sup> MΩ.	>10 <sup>3</sup> MΩ	>10 <sup>5</sup> MΩ
Dielectric Strength:	>2.0kVac	>2.0kVac	>1.0kVac
Operating Temp. Range:	-20°C to +70°C	-20°C to +70°C	-20°C to +70°C
Sealing (Front of panel only):	Protection Classification: IP66 EN60529 1992 (Micro switch not sealed)	Protection Classification: IP66 EN60529 1992 (Micro switch not sealed)	Protection Classification: IP68 EN60529 1992 (Terminals not sealed)
Operations			
Mechanical:	1,000,000 (min)	1,000,000 (min)	1,000,000 (min)
Electrical:	35,000 (min)	35,000 (min)	30,000 (min)
Operating Pressure:	12.5N (typ)	4.7N (typ)	7.5N (typ)
Rear Nut Fixing Torque:	1.13Nm	0.57Nm	0.57Nm
Materials			
Mouldings:	Glass Filled Nylon	Glass Filled Nylon	Glass Filled Nylon
Tags/Terminations:	Brass, Tin Plated	Brass, Tin Plated	Brass, Silver Plated
Switch Body & Button:	Brass, Chrome Plated	Brass, Chrome Plated	Brass, Chrome Plated
Contacts:	Fine Silver	Fine Silver	Brass, Silver Plated, Silver
Thread size:	1.0" x 26TPI	0.747" x 26TPI	0.747" x 26TPI
RoHS	Compliant	Compliant	Compliant



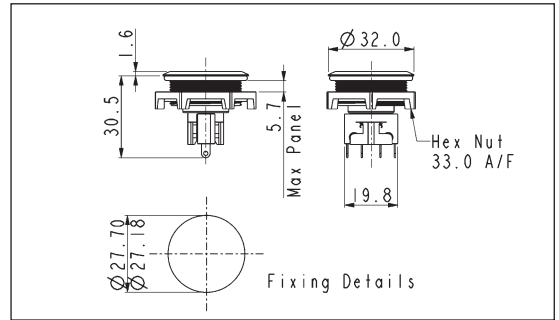
**Stainless Steel Large Diameter Vandal Resistant - Momentary**

**FRONT PANEL MOUNTING - LOW PROFILE**



- Front Panel Sealed to IP68
- Flush button
- 32.0mm diameter
- S.P.C.O. switching
- Momentary action
- 5A, 250Vac

**MP0050**

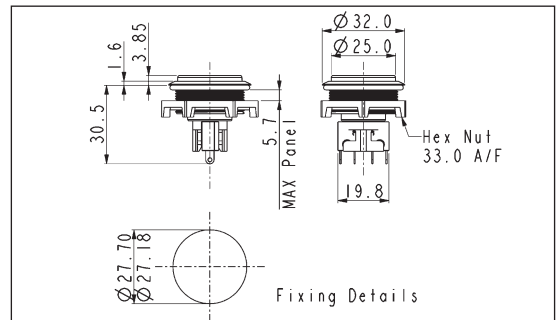


**FRONT PANEL MOUNTING - PROTRUDING PROFILE**



- Front Panel Sealed to IP68
- Protruding button
- 32.0mm diameter
- S.P.C.O. switching
- Momentary action
- 5A, 250Vac

**MP0050/2**



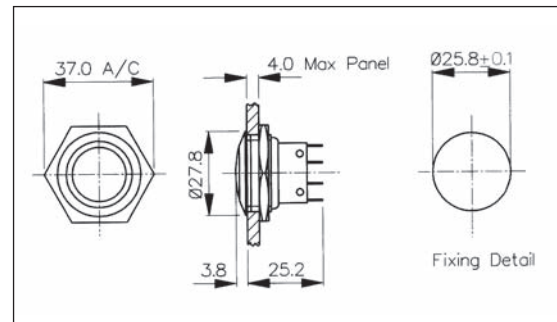
Specification	MP0050	MP0050/2
Terminations:	Solder Tags	Solder Tags
Switching:	S.P.C.O. Momentary Action (Microswitch)	S.P.C.O. Momentary Action (Microswitch)
Max. Rating:	5A, 250Vac. 2A, 28Vdc	5A, 250Vac 2A, 28Vdc
Contact Resistance:	10mΩ	10mΩ
Insulation Resistance:	>10 <sup>3</sup> MΩ	>10 <sup>3</sup> MΩ
Dielectric Strength:	>2.0kVac	>2.0kVac
Operating Temp. Range:	-20°C to +70°C	-20°C to +70°C
Sealing (Front of panel only):	Protection Classification: IP68 EN60529 1992 (Micro switch not sealed)	Protection Classification: IP68 EN60529 1992 (Micro switch not sealed)
Operations		
Mechanical:	1,000,000 (min)	1,000,000 (min)
Electrical:	35,000 (min)	35,000 (min)
Operating pressure:	4.7Nm	4.7Nm
Rear Nut Fixing Torque:	0.57Nm	0.57Nm
Materials		
Mouldings:	Glass Filled Nylon	Glass Filled Nylon
Tags/Terminations:	Brass, Tin Plated	Brass, Tin Plated
Switch Body & Button:	Stainless Steel	Stainless Steel
Contacts:	Fine Silver	Fine Silver
Thread size:	M27 x 1.0-6H	M27 x 1.0-6H
<b>RoHS</b>	Compliant	Compliant

Stainless Steel Domed Vandal Resistant

FRONT PANEL MOUNTING



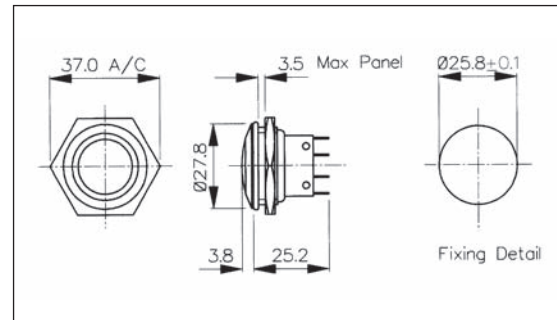
- 28mm diameter
- Domed Profile
- S.P.C.O. Microswitch
- 5A, 250Vac



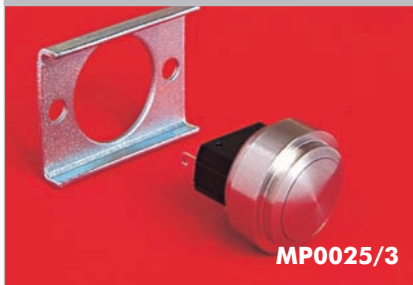
FRONT PANEL MOUNTING



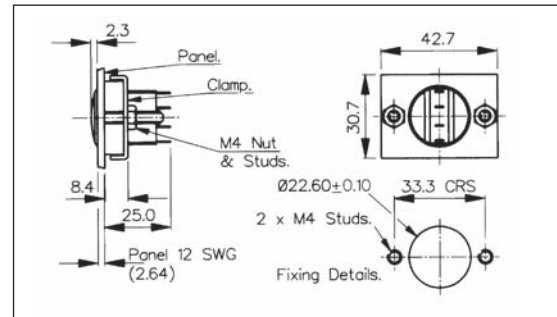
- Front Panel Sealed to IP66
- 28mm diameter
- Domed Profile
- S.P.C.O. Microswitch
- 5A, 250Vac



REAR PANEL MOUNTING



- 22mm diameter
- Domed Profile
- S.P.C.O. Microswitch
- 5A, 250Vac



Specification	MP0027/3	MP0038/3	MP0025/3
Terminations:	Solder Tags	Solder Tags	Solder Tags
Switching:	S.P.C.O. Momentary Action (Microswitch)	S.P.C.O. Momentary Action (Microswitch)	S.P.C.O. Momentary Action (Microswitch)
Max. Rating:	5A, 250Vac 2A, 28Vdc	5A, 250Vac 2A, 28Vdc	5A, 250Vac 2A, 28Vdc
Contact Resistance:	<10mΩ	<10mΩ	<10mΩ
Insulation Resistance:	>10 <sup>3</sup> MΩ	>10 <sup>3</sup> MΩ.	>10 <sup>3</sup> MΩ
Dielectric Strength:	>2.0kVac	>2.0kVac	>2.0kVac
Operating Temp. Range:	-20°C to +70°C	-20°C to +70°C	-20°C to +70°C
Sealing (Front of panel only):	-	Protection Classification: IP66 EN60529 1992 (Micro switch not sealed)	-
Operations			
Mechanical:	1,000,000 (min)	1,000,000 (min)	1,000,000 (min)
Electrical:	35,000 (min)	35,000 (min)	35,000 (min)
Operating Pressure:	7.5N (typ)	12.5N (typ)	6.1N (typ)
Rear Nut Fixing Torque:	2.5Nm	1.13Nm	-
Materials			
Mouldings:	Glass Filled Nylon	Glass Filled Nylon	Glass Filled Nylon
Tags/Terminations:	Brass, Tin Plated	Brass, Tin Plated	Brass, Tin Plated
Switch Body & Button:	Stainless Steel	Stainless Steel	Stainless Steel
Contacts:	Fine Silver	Fine Silver	Fine Silver
Thread size:	1.0" x 26TPI	1.0" x 26TPI	-
RoHS	Compliant	Compliant	Compliant

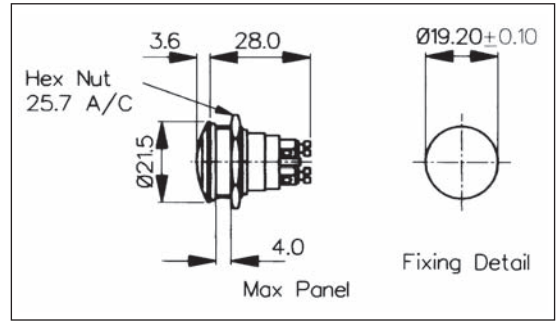
**Stainless Steel Domed Vandal Resistant**

**FRONT PANEL MOUNTING**



**MP0037/3**  
Sealed to IP68

- Front Panel Sealed to IP68
- 21.5mm diameter
- Domed Profile
- S.P. Push to Make
- 1A, 50Vac/dc

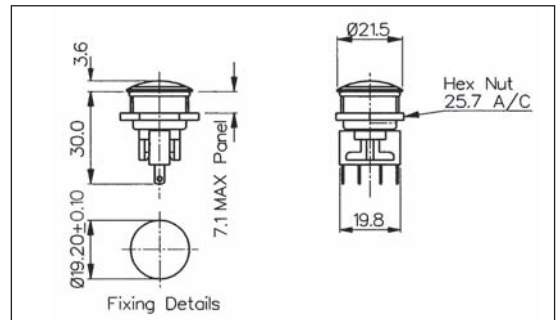


**FRONT PANEL MOUNTING**



**MP0031/3**  
Sealed to IP66

- Front Panel Sealed to IP66
- 21.5mm diameter
- Domed Profile
- S.P.C.O. Microswitch
- 5A, 250Vac

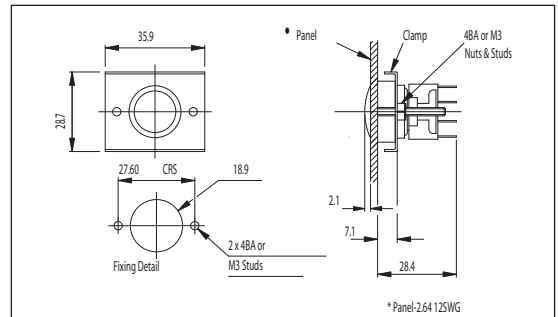


**REAR PANEL MOUNTING**



**MP0034/3**

- Rear Panel Mounting
- 19mm diameter
- Domed Profile
- S.P.C.O. Microswitch
- 5A, 250Vac



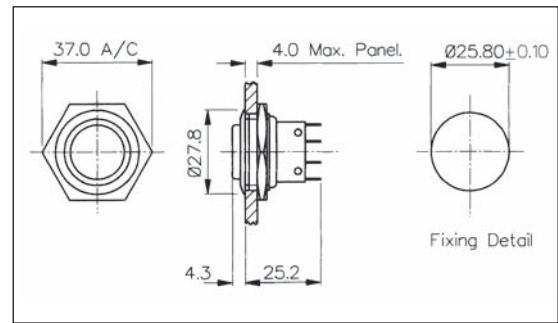
Specification	MP0037/3	MP0031/3	MP0034/3
Terminations:	Screw Terminals	Solder Tags	Solder Tags
Switching:	S.P. Push to make Momentary action	S.P.C.O. Momentary Action (Microswitch)	S.P.C.O. Momentary Action (Microswitch)
Max. Rating:	1A, 50Vac/dc	5A, 250Vac 2A, 28Vdc	5A, 250Vac 2A, 28Vdc
Contact Resistance:	<10mΩ	<10mΩ	<10mΩ
Insulation Resistance:	>10 <sup>5</sup> MΩ	>10 <sup>3</sup> MΩ.	>10 <sup>3</sup> MΩ
Dielectric Strength:	>1.0kVac	>2.0kVac	>2.0kVac
Operating Temp. Range:	-20°C to +70°C	-20°C to +70°C	-20°C to +70°C
Sealing (Front of panel only):	Protection Classification: IP68 EN60529 1992 (Terminals not sealed)	Protection Classification: IP66 EN60529 1992 (Micro switch not sealed)	-
Operations			
Mechanical:	1,000,000 (min)	1,000,000 (min)	250,000 (min)
Electrical:	30,000 (min)	35,000 (min)	35,000 (min)
Operating Pressure:	7.5N (typ)	4.7N (typ)	2.7N (typ)
Rear Nut Fixing Torque:	0.57Nm	0.57Nm	-
Materials			
Mouldings:	Glass Filled Nylon	Glass Filled Nylon	Glass Filled Nylon
Tags/Terminations:	Brass, Silver Plated	Brass, Tin Plated	Brass, Tin Plated
Switch Body & Button:	Stainless Steel	Stainless Steel	Stainless Steel
Contacts:	Brass, Silver Plated, Silver	Fine Silver	Fine Silver
Thread size:	0.747" x 26TPI	0.747" x 26TPI	-
RoHS	Compliant	Compliant	Compliant

Stainless Steel Prominent Button Vandal Resistant

FRONT PANEL MOUNTING



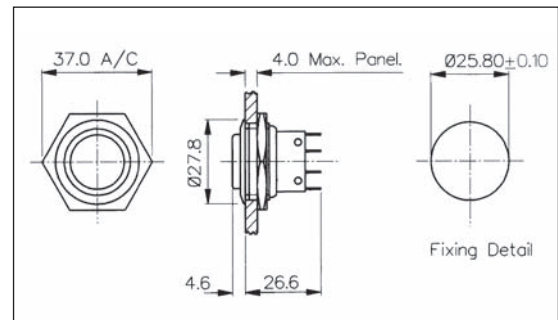
- 28mm diameter
- Prominent Button
- S.P.C.O. Microswitch
- 5A, 250Vac



FRONT PANEL MOUNTING



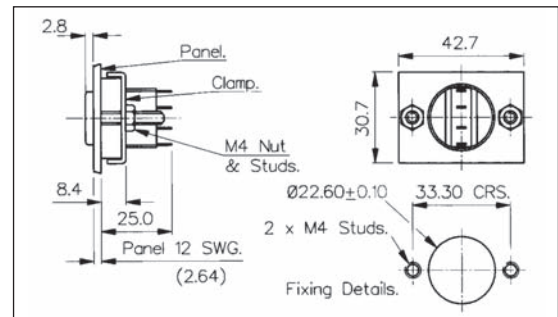
- Front Panel Sealed to IP66
- 28mm diameter
- Prominent Button
- S.P.C.O. Microswitch
- 5A, 250Vac



REAR PANEL MOUNTING



- 22mm diameter
- Prominent Button
- S.P.C.O. Microswitch
- 5A, 250Vac



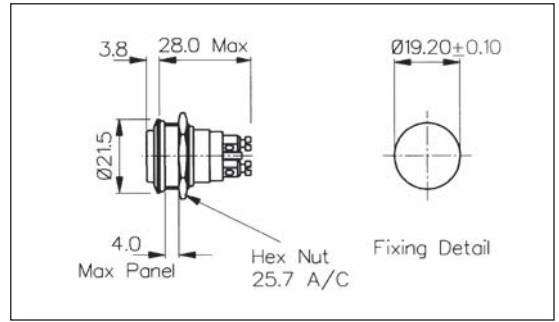
Specification	MP0027/2	MP0038/2	MP0025/2
Terminations:	Solder Tags	Solder Tags	Solder Tags
Switching:	S.P.C.O. Momentary Action (Microswitch)	S.P.C.O. Momentary Action (Microswitch)	S.P.C.O. Momentary Action (Microswitch)
Max. Rating:	5A, 250Vac 2A, 28Vdc	5A, 250Vac 2A, 28Vdc	5A, 250Vac 2A, 28Vdc
Contact Resistance:	<10mΩ	<10mΩ	<10mΩ
Insulation Resistance:	>10 <sup>3</sup> MΩ	>10 <sup>3</sup> MΩ.	>10 <sup>3</sup> MΩ
Dielectric Strength:	>2.0kVac	>2.0kVac	>2.0kVac
Operating Temp. Range:	-20°C to +70°C	-20°C to +70°C	-20°C to +70°C
Sealing (Front of panel only):	-	Protection Classification: IP66 EN60529 1992 (Micro switch not sealed)	-
Operations			
Mechanical:	1,000,000 (min)	1,000,000 (min)	1,000,000 (min)
Electrical:	35,000 (min)	35,000 (min)	35,000 (min)
Operating Pressure:	7.5N (typ)	12.5N (typ)	6.1N (typ)
Rear Nut Fixing Torque:	2.5Nm	1.13Nm	-
Materials			
Mouldings:	Glass Filled Nylon	Glass Filled Nylon	Glass Filled Nylon
Tags/Terminations:	Brass, Tin Plated	Brass, Tin Plated	Brass, Tin Plated
Switch Body & Button:	Stainless Steel	Stainless Steel	Stainless Steel
Contacts:	Fine Silver	Fine Silver	Fine Silver
Thread size:	1.0" x 26TPI	1.0" x 26TPI	-
RoHS	Compliant	Compliant	Compliant

**Stainless Steel Prominent Button Vandal Resistant**

**FRONT PANEL MOUNTING**



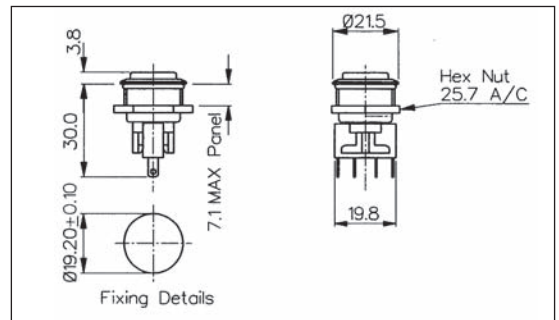
- Front Panel Sealed to IP68
- 21.5mm diameter
- Prominent Button
- S.P. Push to Make
- 1A, 50Vac/dc



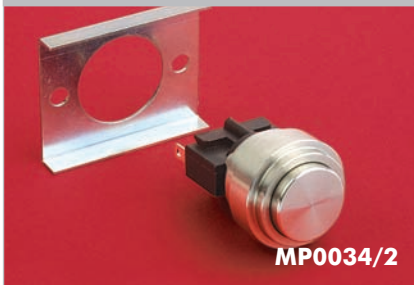
**FRONT PANEL MOUNTING**



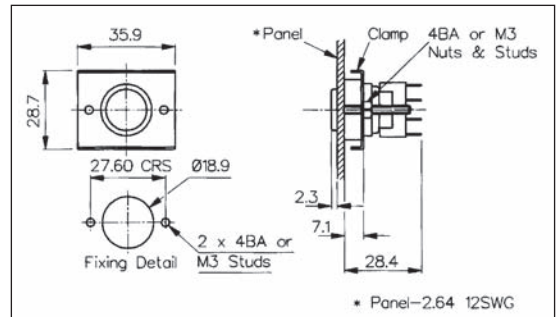
- Front Panel Sealed to IP66
- 21.5mm diameter
- Prominent Button
- S.P.C.O. Microswitch
- 5A, 250Vac



**REAR PANEL MOUNTING**



- 19mm diameter
- Prominent Button
- S.P.C.O. Microswitch
- 5A, 250Vac



Specification	MP0037/2	MP0031/2	MP0034/2
Terminations:	Screw Terminals	Solder Tags	Solder Tags
Switching:	S.P. Push to make Slow momentary action	S.P.C.O. Momentary Action (Microswitch)	S.P.C.O. Momentary Action (Microswitch)
Max. Rating:	1A, 50Vac/dc	5A, 250Vac 2A, 28Vdc	5A, 250Vac 2A, 28Vdc
Contact Resistance:	<10mΩ	<10mΩ	<10mΩ
Insulation Resistance:	>10 <sup>5</sup> MΩ	>10 <sup>3</sup> MΩ.	>10 <sup>3</sup> MΩ
Dielectric Strength:	>1.0kVac	>2.0kVac	>2.0kVac
Operating Temp. Range:	-20°C to +70°C	-20°C to +70°C	-20°C to +70°C
Sealing (Front of panel only):	Protection Classification: IP68 EN60529 1992 (Terminals not sealed)	Protection Classification: IP66 EN60529 1992 (Micro switch not sealed)	-
Operations			
Mechanical:	1,000,000 (min)	1,000,000 (min)	250,000 (min)
Electrical:	30,000 (min)	35,000 (min)	35,000 (min)
Operating Pressure:	7.5N (typ)	4.7N (typ)	2.7N (typ)
Rear Nut Fixing Torque:	0.57Nm	0.57Nm	-
Materials			
Mouldings:	Glass Filled Nylon	Glass Filled Nylon	Glass Filled Nylon
Tags/Terminations:	Brass, Silver Plated	Brass, Tin Plated	Brass, Tin Plated
Switch Body & Button:	Stainless Steel	Stainless Steel	Stainless Steel
Contacts:	Brass, Silver Plated, Silver	Fine Silver	Fine Silver
Thread size:	0.747" x 26TPI	0.747" x 26TPI	-
RoHS	Compliant	Compliant	Compliant

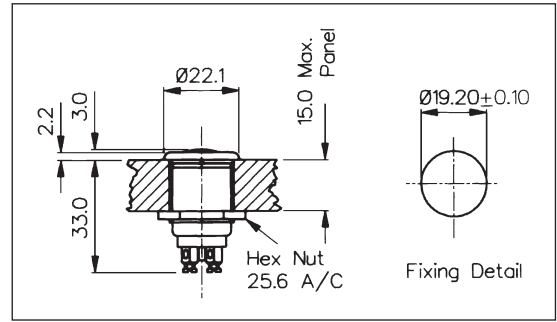


Push Button

FRONT PANEL MOUNTING



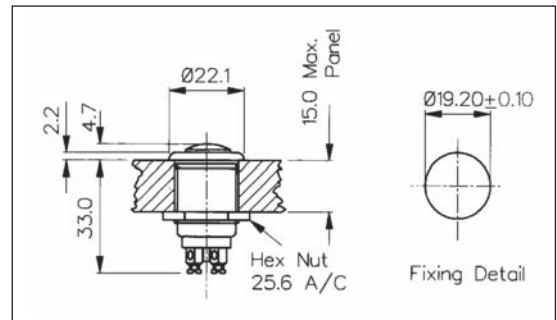
- Proud Fitting
- 22mm diameter
- S.P. Push to Make
- 1A, 50V
- Brass, Chrome Plated Body, Stainless Steel Button
- MP0033 Internally Sealed



FRONT PANEL MOUNTING



- Prominent Button
- 22mm diameter
- S.P. Push to Make
- 1A, 50V
- Brass, Chrome Plated Body, Stainless Steel Button
- MP0033/2 Internally Sealed



Specification	MP0013, MP0033	MP0013/2, MP0033/2
Terminations:	Screw Terminals	Screw Terminals
Switching:	S.P. Push to make Slow momentary action	S.P. Push to make Slow momentary action
Max. Rating:	1A, 50Vac	1A, 50Vac
Contact Resistance:	<15mΩ	<15mΩ
Insulation Resistance:	>10 <sup>4</sup> MΩ	>10 <sup>4</sup> MΩ
Dielectric Strength:	>2.5kVac	>2.5kVac
Operating Temp. Range:	-20°C to +85°C	-20°C to +85°C
Sealing (Front of panel only):	MP0033 only - internally sealed against ingress of water and dust	MP0033/2 only - internally sealed against ingress of water and dust
Materials:		
Mouldings:	Glass Filled Nylon	Glass Filled Nylon
Tags/Terminations:	Brass, Silver Plated	Brass, Silver Plated
Switch Body & Button:	Body: Brass, Chrome Plated Button: Stainless Steel	Body: Brass, Chrome Plated Button: Stainless Steel
Contacts:	Copper, Silver Plated	Copper, Silver Plated
<b>RoHS</b>	Compliant	Compliant



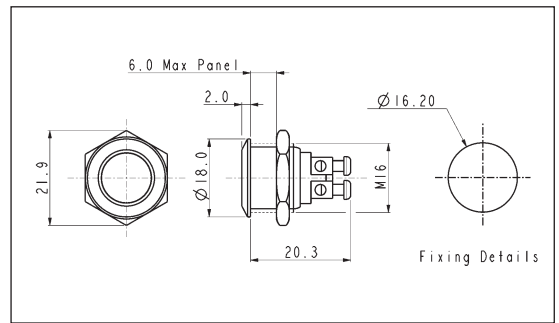
**Stainless Steel - Momentary**

**FLUSH PROFILE**



- 18mm bezel diameter
- 16mm panel hole
- S.P. Push to make
- Polished finish
- 2A, 48Vdc

**MP0042/1**

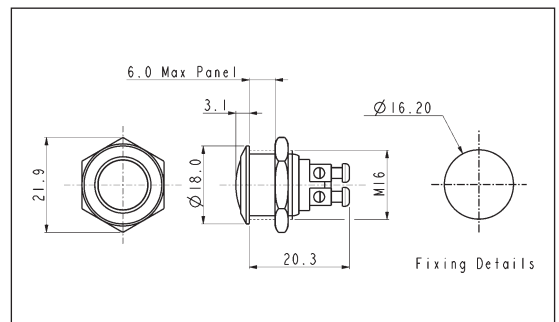


**DOMED PROFILE**



- 18mm bezel diameter
- 16mm panel hole
- S.P. Push to make
- Polished finish
- 2A, 48Vdc

**MP0042/2**

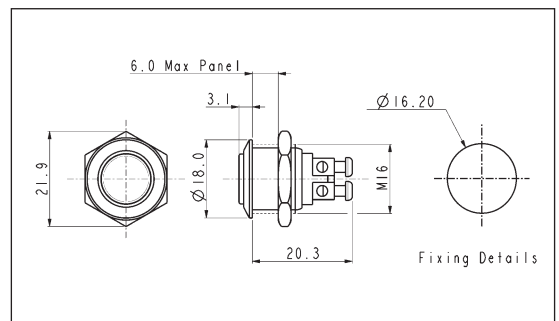


**PROMINENT BUTTON**



- 18mm bezel diameter
- 16mm panel hole
- S.P. Push to make
- Polished finish
- 2A, 48Vdc

**MP0042/3**



Specification	MP0042/1	MP0042/2	MP0042/3
Terminations:	Screw Terminals	Screw Terminals	Screw Terminals
Switching:	S.P. Push to Make	S.P. Push to Make	S.P. Push to Make
Max. Rating:	2A, 48Vdc	2A, 48Vdc	2A, 48Vdc
Contact Resistance:	50mΩ at 1A, 2V	50mΩ at 1A, 2V	50mΩ at 1A, 2V
Insulation Resistance:	>10 <sup>3</sup> MΩ @ 500Vdc	>10 <sup>3</sup> MΩ @ 500Vdc	>10 <sup>3</sup> MΩ @ 500Vdc
Dielectric Strength:	>2.0kVac	>2.0kVac	>2.0kVac
Operating Temp. Range:	-20°C to +55°C	-20°C to +55°C	-20°C to +55°C
Operations			
Mechanical:	1,000,000 (min)	1,000,000 (min)	1,000,000 (min)
Electrical:	100,000 (min)	100,000 (min)	100,000 (min)
Rear Nut Fixing Torque:	12Nm	12Nm	12Nm
Materials			
Mouldings:	Nylon	Nylon	Nylon
Tags/Terminations:	Brass, Silver Plated	Brass, Silver Plated	Brass, Silver Plated
Switch Body & Button:	Stainless Steel (Polished)	Stainless Steel (Polished)	Stainless Steel (Polished)
Contacts:	Silver	Silver	Silver
Variants:	Gold Plated Brass version available	Gold Plated Brass version available	Gold Plated Brass version available
<b>RoHS</b>	Compliant	Compliant	Compliant

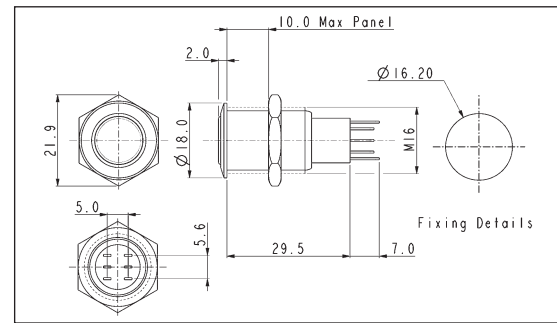
## Stainless Steel - Momentary

### LOW PROFILE



**MP0045/1D**

- 18mm bezel diameter
- 16mm fixing hole diameter
- D.P.C.O
- 3A, 250V

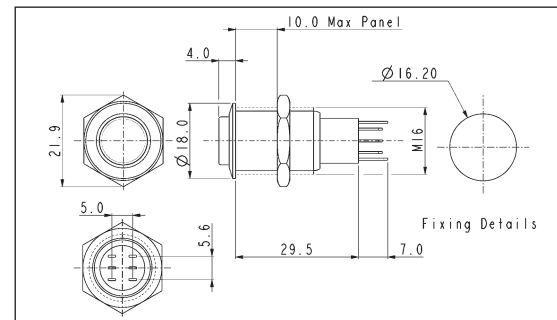


### PROMINENT BUTTON

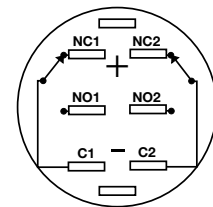


**MP0045/3D**

- 18mm bezel diameter
- 16mm fixing hole diameter
- D.P.C.O
- 3A, 250V



### Contact Layout



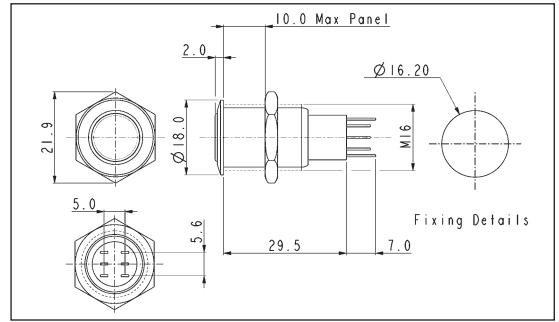
Specification	MP0045/1D0NN000	MP0045/3D0NN000
Terminations:	Solder tags	Solder Tags
Switching:	D.P.C.O Momentary Action	D.P.C.O Momentary Action
Max. Rating:	3A, 250V	3A, 250V
Contact Resistance:	50mΩ max. @ 1A, 2V	50mΩ max. @ 1A, 2V
Insulation Resistance:	>10 <sup>3</sup> MΩ @ 500Vdc	>10 <sup>3</sup> MΩ @ 500Vdc
Dielectric Strength:	> 2.0kVac	> 2.0kVac
Operating Temp. Range:	-20°C to +55°C	-20°C to +55°C
Operations		
Mechanical:	200,000 (min)	200,000 (min)
Electrical:	30,000 (min)	30,000 (min)
Rear Nut Fixing Torque:	12Nm max.	12Nm max.
Materials		
Mouldings:	Nylon	Nylon
Tags/Terminations:	Brass, Silver Plated	Brass, Silver Plated
Switch Body & Button:	Stainless Steel	Stainless Steel
Contacts:	Silver	Silver
Variants:	Nickel Plated Brass version available details on request	Nickel Plated Brass version available details on request
<b>RoHS</b>	Compliant	Compliant

**Stainless Steel - Latching**

**LOW PROFILE**



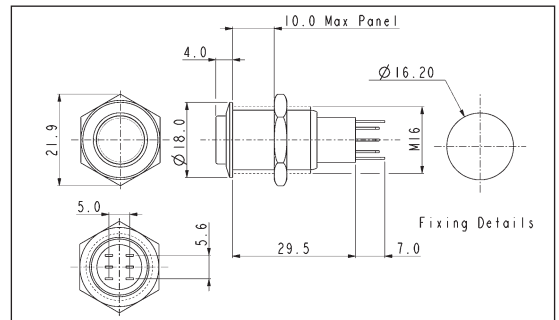
- 18mm bezel diameter
- 16mm fixing hole diameter
- D.P.C.O.
- 3A, 250Vac



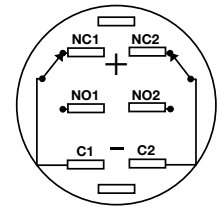
**PROMINENT BUTTON**



- 18mm bezel diameter
- 16mm fixing hole diameter
- D.P.C.O.
- 3A, 250Vac



Contact Layout



Specification	MP0045/1E0NN000	MP0045/3E0NN000
Terminations:	Solder Tags	Solder Tags
Switching:	D.P.C.O. - Latching Action	D.P.C.O. - Latching Action
Max. Rating:	3A, 250V	3A, 250V
Contact Resistance:	50mΩ max. @ 1A, 2V	50mΩ max. @ 1A, 2V
Insulation Resistance:	>10 <sup>3</sup> MΩ @ 500Vdc	>10 <sup>3</sup> MΩ @ 500Vdc
Dielectric Strength:	>2.0kVac	>2.0kVac
Operating Temp. Range:	-20°C to +55°C	-20°C to +55°C
Operations		
Mechanical:	200,000 (min)	200,000 (min)
Electrical:	30,000 (min)	30,000 (min)
Rear Nut Fixing Torque:	12Nm max.	12Nm max.
Materials		
Mouldings:	Nylon	Nylon
Tags/Terminations:	Brass, Tin Plated	Brass, Tin Plated
Switch Body & Button:	Stainless Steel (Polished)	Stainless Steel (Polished)
Contacts:	Silver	Silver
Variants:	Nickel Plated Brass version details on request	Nickel Plated Brass version details on request
<b>RoHS</b>	Compliant	Compliant

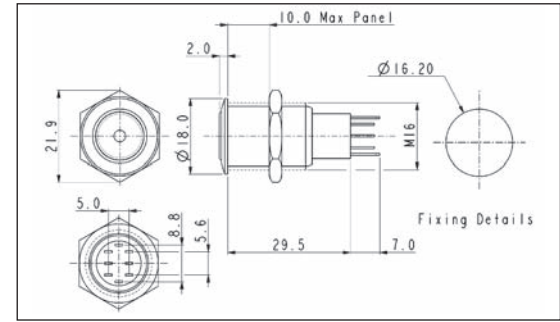
Stainless Steel Illuminated Momentary

FRONT PANEL MOUNTING



MP0045/1D1

- Dot Illuminated
- 18mm bezel diameter
- D.P.C.O.
- 3A, 250V ac
- Red, Green, Amber or Blue Illumination
- Separate LED Terminals

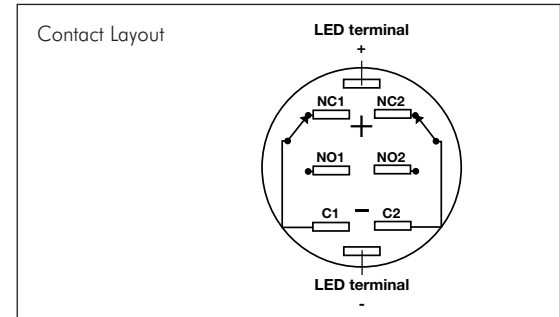
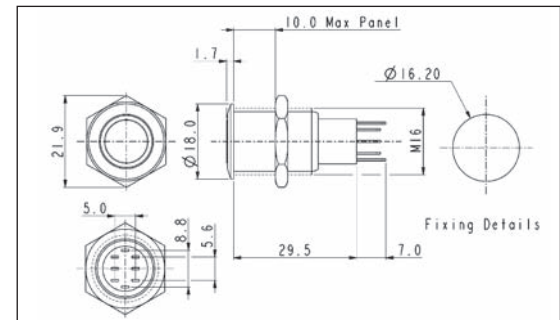


FRONT PANEL MOUNTING



MP0045/1D2

- Ring Illuminated
- 18mm bezel diameter
- D.P.C.O.
- 3A, 250V ac
- Red, Green, Amber or Blue Illumination
- Separate LED Terminals



Specification	MP0045/1D1/Colour/Voltage	MP0045/1D2/Colour/Voltage
Terminations:	Solder Tags	Solder Tags
Illumination:	Dot	Ring
Switching:	D.P.C.O. Momentary Action	D.P.C.O. Momentary Action
Max. Switch Rating:	3A, 250Vac	3A, 250Vac
LEDs		
Colours	Red      Green      Amber      Blue	Red      Green      Amber      Blue
Part No.	/RD      /GN      /AM      /BL	/RD      /GN      /AM      /BL
Voltage	12Vdc    220Vdc	12Vdc    220Vdc
Part No.	/012    /220	/012    /220
Contact Resistance:	50mΩ max. @ 1A, 2Vdc	50mΩ max. @ 1A, 2Vdc
Insulation Resistance:	>10 <sup>3</sup> MΩ @ 500Vac	>10 <sup>3</sup> MΩ @ 500Vac
Dielectric Strength:	>2.0kVac	>2.0kVac
Operating Temp. Range:	-20°C to +55°C	-20°C to +55°C
Operations		
Mechanical:	200,000 (min)	200,000 (min)
Electrical:	30,000 (min)	30,000 (min)
Rear Nut Fixing Torque:	12Nm	12Nm
Materials		
Mouldings:	Nylon	Nylon
Tags:	Brass, Silver Plated	Brass, Silver Plated
Switch Body & Button:	Stainless Steel (Polished)	Stainless Steel (Polished)
Variants	Prominent Button, details on request	Prominent Button, details on request
RoHS	Compliant	Compliant

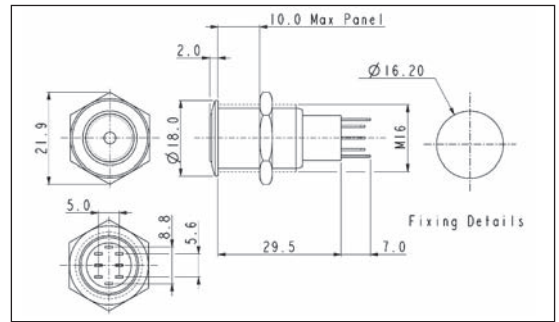
**Stainless Steel Illuminated Latching**

**FRONT PANEL MOUNTING**



**MP0045/1E1**

- Dot Illuminated
- 18mm bezel diameter
- D.P.C.O.
- 3A, 250V ac
- Red, Green, Amber or Blue Illumination
- Separate LED Terminals

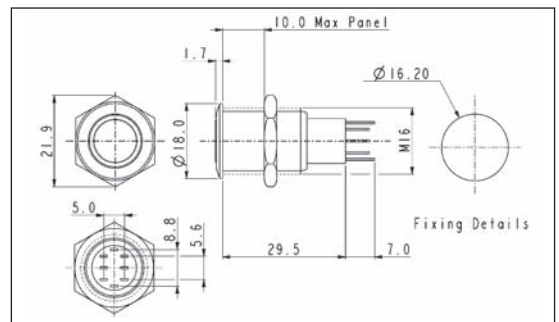


**FRONT PANEL MOUNTING**

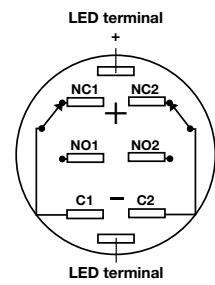


**MP0045/1E2**

- Ring Illuminated
- 18mm bezel diameter
- D.P.C.O.
- 3A, 250V ac
- Red, Green, Amber or Blue Illumination
- Separate LED Terminals



**Contact Layout**



**Specification**

**MP0045/1E1/Colour/Voltage**

**MP0045/1E2/Colour/Voltage**

Terminations:	Solder Tags			
Illumination:	Dot			
Switching:	D.P.C.O. Latching Action			
Max. Switch Rating:	3A, 250Vac			
LEDs				
Colours	Red	Green	Amber	Blue
Part No.	/RD	/GN	/AM	/BL
Voltage	12Vdc	220Vdc		
Part No.	/012	/220		
Contact Resistance:	50mΩ max. @ 1A, 2Vdc			
Insulation Resistance:	>10 <sup>3</sup> MΩ @ 500Vac			
Dielectric Strength:	>2.0kVac			
Operating Temp. Range:	-20°C to +55°C			
Operations				
Mechanical:	200,000 (min)			
Electrical:	30,000 (min)			
Rear Nut Fixing Torque:	12Nm			
Materials				
Mouldings:	Nylon			
Tags:	Brass, Silver Plated			
Switch Body & Button:	Stainless Steel (Polished)			
Variants	Prominent Button, details on request			
<b>RoHS</b>	Compliant			

Terminations:	Solder Tags			
Illumination:	Ring			
Switching:	D.P.C.O. Latching Action			
Max. Switch Rating:	3A, 250Vac			
LEDs				
Colours	Red	Green	Amber	Blue
Part No.	/RD	/GN	/AM	/BL
Voltage	12Vdc	220Vdc		
Part No.	/012	/220		
Contact Resistance:	50mΩ max. @ 1A, 2Vdc			
Insulation Resistance:	>10 <sup>3</sup> MΩ @ 500Vac			
Dielectric Strength:	>2.0kVac			
Operating Temp. Range:	-20°C to +55°C			
Operations				
Mechanical:	200,000 (min)			
Electrical:	30,000 (min)			
Rear Nut Fixing Torque:	12Nm			
Materials				
Mouldings:	Nylon			
Tags:	Brass, Silver Plated			
Switch Body & Button:	Stainless Steel (Polished)			
Variants	Prominent Button, details on request			
<b>RoHS</b>	Compliant			

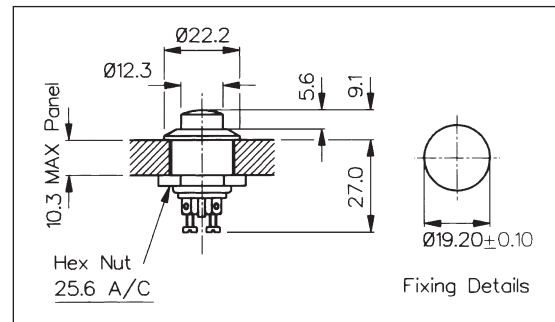
## Push Button

### FRONT PANEL MOUNTING



**MP0012/Col**

- 22mm diameter
- Prominent Button
- S.P. Push to Make
- Screw Terminals
- Brass, Chrome Plated Body, Glass Filled Nylon Button

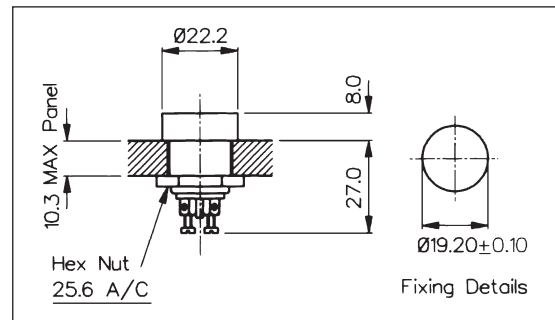


### FRONT PANEL MOUNTING



**MP0012/1/Col**

- 22mm diameter
- Recessed Button
- S.P. Push to Make
- Screw Terminals
- Brass, Chrome Plated Body, Glass Filled Nylon Button

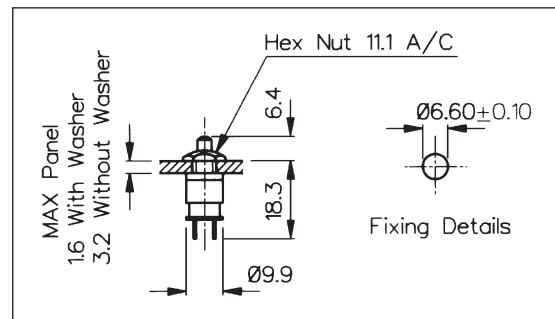


### REAR PANEL MOUNTING



**MP0016**

- S.P. Push to Make
- Solder Tags
- 1A, 28Vac/dc
- Brass Nickel Plated Body, Glass Filled Nylon Button

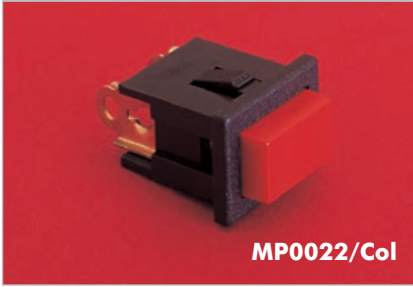


Specification	MP0012/Colour	MP0012/1/Colour	MP0016/Colour
Terminations:	Screw Terminals	Screw Terminals	Solder Tags
Switching:	S.P. Push to Make Slow Momentary Action	S.P. Push to Make Slow Momentary Action	S.P. Push to Make Slow Momentary Action
Max. Rating:	0.25A. 250Vac, 1A. 110Vac, 2A. 12Vac/dc	0.25A. 250Vac, 1A. 110Vac, 2A. 12Vac/dc	1A 28Vac/dc (non-inductive)
Contact Resistance:	<15mΩ	<15mΩ	<15mΩ
Insulation Resistance:	>10 <sup>4</sup> MΩ	>10 <sup>4</sup> MΩ.	>10 <sup>4</sup> MΩ
Dielectric Strength:	>2.5kVac	>2.5kVac	>2.0kVac
Operating Temp. Range:	-20°C to +85°C	-20°C to +85°C	-20°C to +85°C
Operating Pressure (typ):	936gms (33ozs)	936gms (33ozs)	634gms (22ozs)
Materials:			
Moulding:	Glass Filled Nylon	Glass Filled Nylon	Glass Filled Nylon
Body:	Brass, Chrome Plated	Brass, Chrome Plated	Brass, Chrome Plated
Contacts/Terms:	Brass, Silver Plated	Brass, Silver Plated	Brass, Silver Plated
Variants:	Button Colour: Standard - Black, /RD (Red)	Button Colour: Standard - Black, /RD (Red)	Button Colour: Standard - Black, /RD (Red)
RoHS	Compliant	Compliant	Compliant



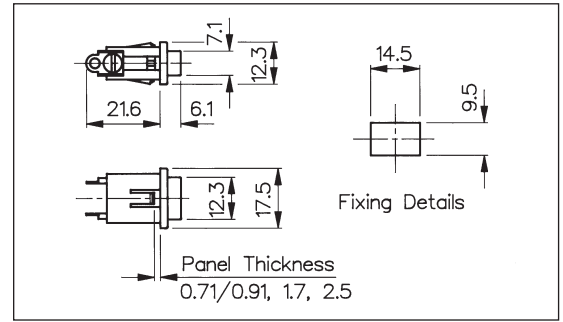
**Push Button**

**FRONT PANEL MOUNTING**

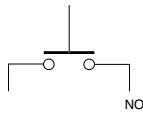


**MP0022/Col**

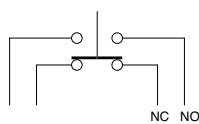
- S.P. Push to Make
- Solder Tags
- Nylon Body & Button



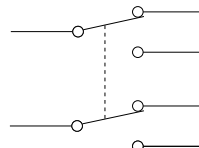
**SWITCH CONTACT OPERATION**



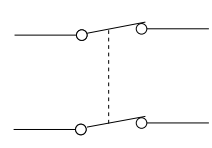
**S.P. Push to Make  
S.P.M.B.**



**S.P.C.O.**



**D.P.C.O.**



**D.P.M.B.**

Specification	MP0022/Colour
Terminations:	Solder Tags
Switching:	S.P. Push to Make Slow Momentary Action
Max. Rating:	0.25A. 250Vac, 0.5A. 110Vac, 1A. 0.1 to 28Vac/dc
Contact Resistance:	< 15mΩ
Insulation Resistance:	> 10 <sup>4</sup> MΩ
Dielectric Strength:	> 2.5kVac
Operating Temp. Range:	-20°C to +70°C
Sealing:	
Materials:	
Moulding:	Nylon
Tags:	Brass, Silver Plated
Body:	Nylon
Contacts/Terms:	Brass, Silver Plated
Variants:	Button Colours: Standard - Black, /WH (White) and /RD (Red). /TERM - (Screw terminals)
<b>RoHS</b>	Compliant

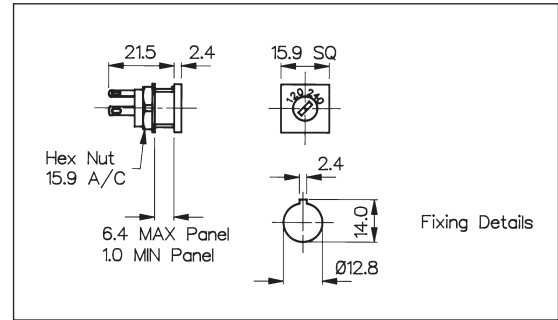
## Voltage Selectors

### 120/240V VOLTAGE SELECTOR



**VS0001**

- 2.8 series tabs/solder tags
- Square Front Bezel
- 6.3A
- CSA & VDE approvals

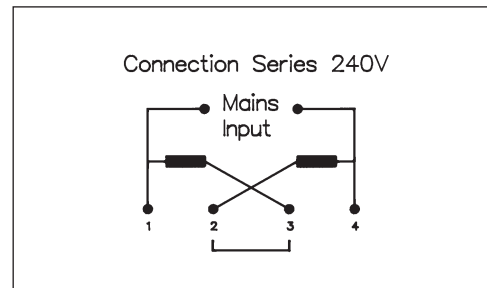
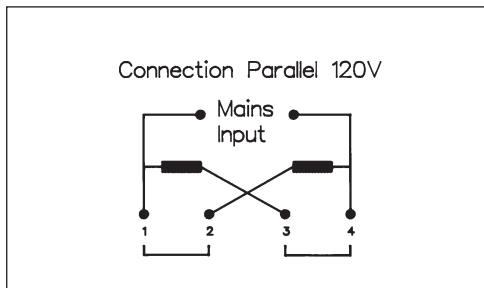
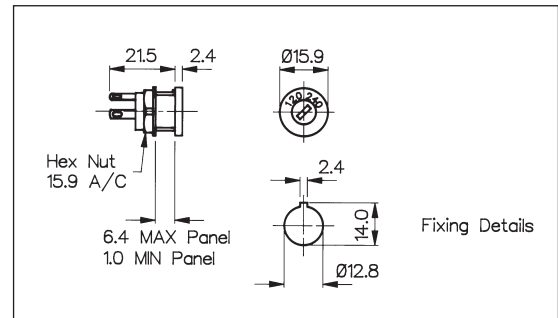


### 120/240V VOLTAGE SELECTOR



**VS0002**

- 2.8 series tabs/Solder tags
- Round Front Bezel
- 6.3A
- CSA & VDE approvals



Specification	VS0001	VS0002
Max. Rating:	6.3A, 120/240V	6.3A, 120/240V
Insulation Resistance:	>10 <sup>6</sup> MΩ	>10 <sup>6</sup> MΩ.
Termination:	2.8 series tabs/solder tags	2.8 series tabs/solder tags
Temperature Range:	-20°C to +85°C	-20°C to +85°C
Materials:		
Mouldings:	Glass Filled Nylon UL94V-1	Glass Filled Nylon UL94V-1
Tags:	Brass, Silver Plated	Brass, Silver Plated
Contacts:	Copper Silver Alloy	Copper Silver Alloy
Approvals:		
Variants:	Other markings, details on request	Other markings, details on request
	<b>RoHS</b>	Compliant

**INTERNATIONAL APPROVAL BODIES**

**United Kingdom**



B.S.I. Kitemark

**BS EN ISO 9001:2000** B.S.I.



British Electro-Technical Approvals Board

**Austria**



O.V.E

**Australia**



State Electricity Commission of Victoria



The Regulatory Compliance Mark (RCM)

**Belgium**



CEBEC

**Canada**



C.S.A.

**China**



C.C.C.

**Denmark**



D.E.M.K.O

**Europe**



E.N.E.C.

**Finland**



F.I.M.K.O

**Germany**



V.D.E.

**Holland**



KEMA-KEUR

**Italy**



I.M.Q.

**Norway**



N.E.M.K.O.

**South Africa**



S.A. Bureau of Standards

**Sweden**



S.E.M.K.O.

**Switzerland**



S.E.V.

**U.S.A.**



U.L. Recognised



U.L. Listed

**Russia**



GOST The State Committee for Standards

For a list of current Bulgin product approvals please see pages 198-199.

## PRODUCT APPROVALS - CERTIFICATE NUMBERS

Part no.	ATEX	RCM No.	CCC	CSA No.	IMQ No.	SEMKO No.	UL No.	VDE No. *ENEC/VDE
BZM27,28 Single Pole Sw (BZM1)				1759217	EG084		E70394	886700-1550-0715*
BZM27,28 Double Pole Sw (BZM2)				1759217	EG084		E70394	886700-1550-0715*
EXP-0911	Baseefa09ATEXT0232X							
EXP-0921	Baseefa09ATEXT0232X							
EXP-0931	Baseefa09ATEXT0232X							
EXP-0941	Baseefa09ATEXT0232X							
EXP-0990	Baseefa09ATEXT0232X							
EXP-0991	Baseefa09ATEXT0232X							
EXP-0992	Baseefa09ATEXT0232X							
EXP-A911	Baseefa09ATEXT0232X							
EXP-A921	Baseefa09ATEXT0232X							
FX0180							E60600	
FX0185							E60600	
FX0280							E60600	
FX0285							E60600	
FX0354					CA03.00345			
FX0357				LR 80963	CA03.00343		E60600	886700-1170-0004
FX0359				LR 80963	CA03.00343		E60600	886700-1170-0004
FX0367				LR 80963	CA03.00343		E60600	886700-1170-0007
FX0369				LR 80963	CA03.00343		E60600	886700-1170-0007
FX0380							E60600	
FX0385							E60600	
FX0415							E60600	
FX0415/S							E60600	
FX0416							E60600	
FX0416/S							E60600	
FX0417				LR 80963	CA03.00280		E60600	886700-1170-0002
FX0418 series				LR 80963	CA03.00280		E60600	886700-1170-0005
FX0419								886700-1170-0002
FX0430 series				LR 80963	CA03.00235		E60600	886700-1170-0001
FX0442								886700-1170-0008
FX0443								886700-1170-0008
FX0454				LR 80963	CA03.00344		E60600	886700-1170-0004
FX0454/S				LR 80963	CA03.00344		E60600	886700-1170-0004
FX0455				LR 80963	CA03.00344		E60600	886700-1170-0004
FX0455/S				LR 80963	CA03.00344		E60600	886700-1170-0004
FX0456				LR 80963	CA03.00236		E60600	886700-1170-0003
FX0457				LR 80963	CA03.00236		E60600	886700-1170-0003
FX0458/1 - /2				LR 80963	CA03.00344		E60600	886700-1170-0006
FX0460				LR 80963	CA03.00347		E60600	
FX0461				LR 80963	CA03.00347		E60600	
FX0462								886700-1170-0004
FX0463							E60600	886700-1170-0004
Mini Buccaneer							E214972	
PF0001 series				1425684	E9700		E92187	886700-1550-0716*
PF0001/PC				1425684	E9700		E92187	886700-1550-0716*
PF0002 series				1425684	E9700		E92187	886700-1550-0716*
PF0006 series				1425684	E9701		E92187	886700-1550-0716*
PF0007 series				1425684	E9701		E92187	886700-1550-0716*
PF0011 series				1425684	E9700		E92187	886700-1550-0716*
PF0011/PC				1425684	E9700		E92187	886700-1550-0716*
PF0016 series				1425684	E9701		E92187	886700-1550-0716*
PF0030 series				1425684	EF173		E92187	
PF0030/PC				1425684	EF173		E92187	
PF0033 series				1425684	EF173		E92187	
PS00/A				LR80968-2			E103825	886700-4730-0008*
PS00/B				LR80968-2			E103825	886700-4730-0008*
PS01/A				LR80968-2			E103825	886700-4730-0008*
PS01/B				LR80968-2			E103825	886700-4730-0008*
PS02/A				LR80968-2			E103825	886700-4730-0009*
PS02/B				LR80968-2			E103825	886700-4730-0009*
PS03/A				LR80968-2			E103825	886700-4730-0009*
PS03/B				LR80968-2			E103825	886700-4730-0009*
PS20/A				LR80968-2			E103825	886700-4730-0007*
PS21/A				LR80968-2			E103825	886700-4730-0007*

**PRODUCT APPROVALS - CERTIFICATE NUMBERS**

Part no.	ATEX	RCM No.	CCC	CSA No.	IMQ No.	SEMKO No.	UL No.	VDE No. *ENEC/VDE
PS25/A				LR80968-2			E103825	886700-4730-0007*
PS25/B				LR80968-2			E103825	886700-4730-0007*
PS26/A				LR80968-2			E103825	886700-4730-0007*
PS26/B				LR80968-2			E103825	886700-4730-0007*
PX0410				1273303			E214972	886700-1431-0003
PX0411				1273303			E214972	886700-1431-0003
PX0412				1273303			E214972	886700-1431-0003
PX0575			22086	LR43989	E6552		E70394	886700-1550-0013*
PX0575/PC			22086	LR43989	E6552		E70394	886700-1550-0013*
PX0578							E93288	886700-1550-0719
PX0579 series				LR43989	E6552		E70394	886700-1550-0013*
PX0580 series				LR43989	E6552		E70394	886700-1550-0007*
PX0580/PC				LR43989-21	E6552		E70394	886700-1550-0007*
PX0580/PC/7				LR43989-21	E6552		E70394	886700-1550-0007*
PX0580/PC/7/LC				LR43989-21	E6552		E70394	886700-1550-0007*
PX0580/PC/12132				LR43989-21			E70394	886700-1550-0007*
PX0587		23566		1173830			E70394	886700-1550-0014*
PX0587/SE		23566		1173831			E70394	886700-1550-0014*
PX0588		23566		LR43989-49			E93288	
PX0590				LR43989	E6554		E70394	886700-1550-0013*
PX0591							E93288	886700-1550-0720
PX0592							E93288	886700-1550-0720
PX0593							E93288	886700-1550-0720
PX0595 series				LR43989	E6554		E70394	886700-1550-0013*
PX0596				1354023			E70394	886700-1550-0718*
PX0597		23566		LR43989			E70394	886700-1550-0014*
PX0598				1354023			E70394	886700-1550-0718*
PX0599				1354023			E70394	886700-1550-0714*
PX0675 series				LR43989	E9702		E93288	886700-1550-0012*
PX0675/PC				LR43989	E9702		E93288	886700-1550-0012*
PX0685				LR43989			E70394	
PX0686		23565		LR43989-37	EF263		E70394	886700-1550-0015*
PX0686/SE		23565		LR43989-37	EF271		E70394	886700-1550-0015*
PX0690 series				LR43989	E6553		E70394	886700-1550-0013*
PX0690/PC series				LR43989	E6553		E70394	886700-1550-0013*
PX0691 series				LR43989	E6553		E70394	886700-1550-0013*
PX0691/PC				LR43989	E6553		E70394	
PX0695 series				LR43989	E9704		E93288	886700-1550-0009*
PX0695/PC				LR43989	E9704		E93288	886700-1550-0009*
PX0705 series				LR43989	E9703		E93288	886700-1550-0009*
PX0716							E93288	
PX0717							E93288	886700-1550-0721
PX0718							E92187	
PX0725 series				LR43989	E9703		E93288	886700-1550-0009*
PX0777								
PX0783 series				LR43989-37	EF345		E93288	886700-1550-0016*
PX0793 series				LR43989-37	EF344		E93288	886700-1550-0016*
PX0911				1211899			E214972	886700-1431-0002
PX0921				1211899			E214972	886700-1431-0002
PX0931				1211899			E214972	886700-1431-0002
PX0941				1211899			E214972	886700-1431-0002
PXA911				1211899			E214972	886700-1431-0002
PXA921				1211899			E214972	886700-1431-0002
PXD100/050						617708		
PXD200							E330132	
PXD301/050						617708		
PXD301/550						617708		
PXD306/050						617708		
Standard Buccaneer				LR80968-30			E93288	886700-1431-1001
VS0001				1480398		9843096/01-02		886700-4401-1001*
VS0002				1480398		9843096/01-02		886700-4401-1001*

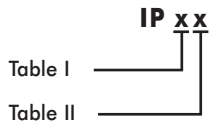
## IP RATINGS

### Degree of protection to IEC 60529 BS EN60529

#### IP Ratings Guide

The IP classification system designates the degree of protection provided by an enclosure against solid objects or water ingress.

Table I shows degrees of protection against solid objects, Table II shows degrees of protection against water.



#### Table I (1st characteristic numeral)

Degree of Protection against solid objects

	Digit	
	0	Non-protected
	1	Protected against a solid object greater than 50mm, such as a hand.
	2	Protected against a solid object greater than 12.5mm, such as a finger.
	3	Protected against a solid object greater than 2.5mm, such as wire or a tool.
	4	Protected against a solid object greater than 1.0mm, such as wire or thin strips.
	5	Dust-protected. Prevents ingress of dust sufficient to cause harm.
	6	Dust tight. No ingress of dust.

#### Table II (2nd characteristic numeral)

Degree of Protection against water

	Digit	
	0	Non-protected
	1	Protected against dripping water.
	2	Protected against dripping water when tilted up to 15°.
	3	Protected against spraying water at an angle of up to 60°.
	4	Protected against splashing water from any direction.
	5	Protected against jets of water from any direction.
	6	Protected against heavy seas or powerful jets of water. Prevents ingress sufficient to cause harm.
	7	Protected against the effects of temporary immersion in water.
	8	Protected against the effects of continuous immersion in water.

### Degree of protection to DIN 40050-9

	69k	Protected against very high pressure, high temperature wash-down test.
--	-----	--



## COMPARISON CHART METRIC TO AWG WIRE SIZES

AWG	Cross Sectional Area in mm <sup>2</sup>	Closest standard equivalent in mm <sup>2</sup>
30	0.0503	0.05
29	0.0646	-
28	0.0804	-
27	0.102	0.1
26	0.128	0.14
25	0.163	-
24	0.205	0.2
23	0.259	0.25
22	0.325	-
21	0.412	-
20	0.519	0.5
19	0.653	-
18	0.823	0.75
17	1.04	1
16	1.31	-
15	1.65	1.5
14	2.08	-
13	2.63	2.5
12	3.13	-
11	4.15	4
10	5.27	-
9	6.62	6
8	8.35	-
7	10.6	10
6	13.3	-
5	16.8	16
4	21.2	-
3	26.7	25
2	33.6	35
1	42.4	-
0	53.4	50
2/0	67.5	70
3/0	85	95
4/0	107.2	120
5/0	135.1	150
6/0	170.3	185

## ARMENIA

**Prosoft Ltd**  
108 Profsoyuznaya str., Moscow 117437  
Tel: + 7 095 234 0636  
Fax: + 7 095 234 0640  
email: info@prosoft.ru  
Web Site: www.prosoft.ru

## AUSTRALIA

**Braemac Pty Ltd.**  
Unit 1, 59-61 Burrows Road, Alexandria, 2015, Sydney, NSW  
Tel: 612 9 550 6600  
Fax: 612 9 550 6377  
Web-Site: www.braemac.com.au

**Farnell**  
72 Fernndell Street, Chester Hill, New South Wales 2162  
Tel: 1300 361 005  
Fax: 1300 361 225  
Email: ausales@farnell.com  
Web Site: http://au.farnell.com

**RS Components Pty Ltd**  
25 Pavesti Street, Smithfield, Sydney, New South Wales 2164  
Tel: + 61 2 9681 8588  
Fax: + 61 2 9681 8599  
Email: order.australia@rs-components.com  
Web-Site: www.rswww.com.au

## AUSTRIA

**Farnell**  
Tel: +43 (0) 662 218 0680  
Fax: +43 (0) 662 218 0670  
Email: verkauf.at@farnell.com  
Web Site: http://at.farnell.com

**LICO Electronics GmbH**  
Klederinger Strasse 31, A-2320 Kledering, Wien, Vienna, Austria  
Tel: +43 1 706 43000  
Fax: +43 1 706 4131  
Email: office@lico.at  
Web-Site: www.lico.at

**RS Components Handelsges. MbH**  
Postfach 79, Albrechtser Strasse 11, A-3950 Gmünd  
Tel: + 43 2852 53765  
Fax: + 43 2852 53223  
Email: kat@rs-components.com  
Web-Site: www.rs-components.at

## AZERBAIJAN

**Prosoft Ltd**  
108 Profsoyuznaya str., Moscow 117437  
Tel: + 7 095 234 0636  
Fax: + 7 095 234 0640  
Email: info@prosoft.ru  
Web Site: www.prosoft.ru

## BANGLADESH

**Trinity Touch PVT Ltd**  
D-10, Defence Colony, New Delhi 110024  
Tel: + 91 11 51295900/909  
Fax: + 91 11 51551378  
Email: postmaster@trinitytouch.com  
Web-Site: www.trinitytouch.com

## BELARUS

**Prosoft Ltd**  
108 Profsoyuznaya str., Moscow 117437  
Tel: + 7 095 234 0636  
Fax: + 7 095 234 0640  
Email: info@prosoft.ru  
Web Site: www.prosoft.ru

## BELGIUM

**Verco**  
Rue de Woeringen - Straat 9, 1000 Bruxelles, Brussel  
Tel: 02/512.40.82  
Fax: 02/511.03.53  
Email: verco.sprl@skynet.be  
Web-Site: www.verco.be

**Farnell**  
Tel: +32 3475 2810  
Fax: +32 3227 3648  
Email: belgiumsales@farnell.com  
Web Site: http://be.farnell.com

**RS BeLux**  
Bd Paepsemiaan 22, 1070 Anderlecht, Belgium  
Tel: +32(0)2 528 07 70  
Fax: +32(0)2 528 07 80  
Email: Orders@rs-components.be  
Web: www.rsonline.be

## BRAZIL

**Farnell**  
R.Emir Macedo Nogueira 240, Diadema-Sao Paulo, CEP 09961-720  
Tel: 00 55 11 4066 9400  
Fax: 00 55 11 4066 9410  
Web-Site: www.farnell.com.br

**Informat Componentes Eletrônicos Ltda**  
Al.Barão de Piracicaba, 695 Campos Eliseos CEP: 01216-010 São Paulo, SP  
Tel: +55 (11) 3350-0392  
Fax: +55 11 3225-0892  
Web-Site: www.rsbrasil.com

**Ammon & Rizos do Brasil Ltda**  
Alphaville - S.Paulo  
Tel: +55 11 4688 1960  
Email: rdragon@ammonrizos.com.br

## CANADA

**E-T-A Circuit Breakers Ltd.**  
100 Leek Crescent, Unit 11, Richmond Hill, Ontario, L4B 3E6  
Tel: (905) 764 9510  
Fax: (905) 764 8003  
Web Site: www.etacbe.com

**Allied Electronics Inc**  
Ontario Office, 1155 Lola Street, Unit 6, Ottawa Ontario, K1K 4C1

Tel: (613) 228-1964  
Fax: (613) 228-8006  
Email: ott\$manager@alliedelec.com  
Web Site: www.alliedelec.com

**Simcona Electronics of Canada Inc**  
3422 Wonderland Road South, London, Ontario, NGL 1A7

Tel: (519) 652 1130  
Fax: (519) 652 1131  
Email: info@simcona.ca  
Web Site: www.simcona.ca

## CHILE

**RS Components Ltda**  
Av. Providencia No.2083, Of.23 Santiago, Chile  
Tel: + (562) 335 1130  
Fax: + (562) 335 1131  
Email: rscomp.entelchile.net

## CHINA

**Elektron Technology**  
A2, 1-3 floors, NO.23, Xin Buxin Road, Tongle Community, Longgang Street, Longgang District, Shenzhen, China  
Tel: 0755-3328 8988  
Fax: 0755-3328 8878  
Email: china@bulgin.co.uk

**Farnell-Newark - Beijing**  
Rm 109, Tong Heng Tower, 4 Hua Yuan Road, Haidian District, Beijing 100088  
Tel: +86 (010) 6260 8088  
Email: bj.sales@premierelectronics.com.cn  
Web-Site: http://cn.farnell.com

**Farnell-Newark - Shanghai**  
Tel: +86 (021) 6249 3311  
Email: sh-sales@premierelectronics.com.cn  
Web Site: http://cn.farnell.com

**RS Components Ltd**  
Suite 13E1, Industrial Estate Building, 18 Cao Xi Road Northern, Shanghai 200030  
Tel: + 86 21 6427 7688  
Fax: + 86 21 6427 7692

**WidLine Industrial Supply Co Ltd**  
Room 213, Unit 4, 615 Ning Qiao Road, Jinqiao, Pudong, Shanghai 201206  
Tel: +86 21 6164 8208  
Fax: +86 21 6164 8209  
Email: landw@public.qd.sd.cn  
Web-Site: www.widline-indsup.com

**Powertronics Co. Ltd (Shenzhen)**  
Room 418, 4th Floor, No. 110, Futian Area East Block, Guang Ye Building, Fu Hua Road, Shenzhen City  
Tel: +86 755 89811108  
Fax: +86 755 83983707  
Email: szpowertro@powertronics.com.tw  
Web-Site: www.powertronics.com.tw

**Powertronics Co. Ltd (Shanghai)**

No 11, Alley 980, Shilong Road, Xuhui District,  
Shanghai City

Tel: +86 21 5497 0111

Fax: +86 21 5497 0222

Email: shpowertr@powertronics.com.tw

Web-Site: www.powertronics.com.tw

**Powertronics Co. Ltd (Beijing)**

Room 1809 C, Sunshine 100 International  
Apartment, No. 2 Guang Hua Road Chao Yang  
District, Beijing

Tel: +86 10 51003731

Fax: +86 10 51003730

Email: bjpowertr@powertronics.com.tw

Web-Site: www.powertronics.com.tw

**Beijing Tianzhenghengye Electronic Equipments Co. Ltd**

Room C, 1015 HengHua International Business  
Center, No 26 YueTan North Street, Xicheng Dist,  
Beijing

Tel: +86 (10) 5856 5666

Fax: +86 (10) 5856 5288

Email: sales@apepo.com

Web-Site: www.apepo.com

**Shenzhen D&Y Technology Co. Ltd**

Room 10Q, Floor 10, Xinbaohui Bldg, No. 2061  
Nanhai Blvd, Nanshan of Shenzhen 518054

Tel: +86 (755) 2606 7336

Fax: +86 (755) 8603 6416

Email: info@dytechnology.net

Web-Site: www.dytechnology.net

**CZECH REPUBLIC****TME Czech Republic s.r.o.**

Slávárenská 406/17, 709 00 Ostrava -  
Mariánské Hory

Tel: 00 420 59 66 33 105

Fax: 00 420 59 66 33 104

Email: tme@tme.cz

Website: www.tme.cz

**Farnell**

Tel: 800 142 085

Email: prodej@farnell.com

Web-Site: http://cz.farnell.com

**DENMARK****Chemo Electric as**

Hammerholmen 20 C-D, DK-2650 Hvidovre,  
Denmark

Tel: +45 3677 3044

Fax: +45 3677 3088

Email: info@chemolec.dk

Web Site: www.chemoelectric.com

**ELFA Norden A/S**

Naverland 31, DK-2600 Glostrup

Tel: 43206340

Email: order@elfa.se

Web site: www.elfa.se

**Farnell**

Marielundvej 48 D, DK-2730 Herlev, Denmark

Tel: + 45 4453 6644

Fax: + 45 4453 6606

Email: salg@farnell.com

Web Site: http://dk.farnell.com

**RS Components A/S**

Vibevej 9-11, DK 2400 København NV

Tel: + 45 3816 9900

Fax: + 45 3833 3310

Email: salg@rsrp.dk

Web Site: www.rs-components.dk

Jutland Office

Tel: 87 37 57 57

Fax: 86 72 12 00

**Arrow Denmark**

Smedeholm 13A, DK-2730 Herlev

Tel: + 45 70 10 22 11

Fax: + 45 44 50 82 10

Web Site: www.arrowne.com

**ESTONIA****Farnell**

Tel: +358 9560 7780

Fax: +358 9345 5411

Web-Site: http://ee.farnell.com

**Arrow Electronics Estonia OÜ**

Järvevana Tee 9, EE-11314 Tallinn

Tel: +372 6 77 42 50

Fax: +372 6 7742 51

Web Site: www.arrowne.com

**TME**

Tel: 00 371 28 39 55 14

Email: l.breidaks@tme.eu

Website: www.tme.eu

**FINLAND****Arrow Finland Oy**

Kalkkipellontie 4 Box 280 Espoo

Tel: +358 9 47 66 60

Fax: +358 9 47 66 63 27

Web Site: www.arrowne.com

**ELFA AB**

Elfasetti Oy, Karvaamokuja 1, 00380 Helsinki

Tel: 0800111827

Email: order@elfa.se

Web site: www.elfa.se

**Farnell**

Latokartanonantie 7 B, 00700 HELSINKI

Tel: + 358 9 560 77 80

Fax: +358 9 345 54 11

Email: myynti@farnell.com

Web Site: http://fi.farnell.com

**Nylund-Group Oy Ab**

Electronics,Masalantie 375, FI-02430 Masala,  
Finland

Tel: +358 9 2219 1400

Fax: +358 9 2219 1444

Email: electronics@nylund.fi

Web Site: www.nylund.fi

**Yleiselektroniikka OYJ**

Luomantotko 6, SF-02201 Espoo

Tel: +358 9 4526 2200

Fax: +358 9 4526 2249

Web-Site: www.rsfinland.com

**FRANCE****Farnell**

81-83 rue Henri Depagneux, BP 60426 Limas,  
69654 Villefranche, Sue Saone, Cedex

Tel: + 33 474 68 99 99

Fax: + 33 474 68 99 90

Email: ventes@farnell.com

Web Site: http://fr.farnell.com

**Orbitec**

28 rue Fernand-Pelloutier, 92582 Clichy Cedex

Tel: 33 (0)1 47 15 54 54

Fax: 33 (0)1 42 70 16 67

Email: commercial@orbitec.fr

Web-Site: www.orbitec.fr

**Omega Composants SARL**

5 Rue J Perrin - BP 377, 69746 Genas Cedex

Tel: 33 (0)4 78 90 85 64

Fax: 33 (0)4 78 90 84 65

Email: omega@omegacomposants.fr

Web-Site: www.omegacomposants.fr

**Radiospares**

Rue Norman King, BP 453, 60031 Beauvais  
Cedex

Tel: 0 825 034 034

Fax: 0 825 345 000

Web-Site: www.radiospares.fr

**GERMANY****Engelking Elektronik GmbH**

Albstrasse 16, D-78609 Tuningen

Tel: 07464 9865 0

Fax: 07464 9865 71

Email: info@engelking.de

Web-Site: www.engelking.de

**ESKA Erich Schweizer GmbH**

Elektrotechnische Fabrik, Antonius-Raab-Strasse  
10, D - 34123 Kassel

Tel: +49 (0) 561 589040

Fax: +49 (0) 561 5890422

Email: mail@eska-fuses.de

Web-Site: www.eska-fuses.de

**Ettinger GmbH**

Ottostrasse 5, 85649 Hofolding

Tel: (08104) 6623 10

Fax: (08104) 6623 99

Email: info@ettinger.de

Web Site: www.ettinger.de

**Farnell**

Keltenring 14, D-82041 Deisenhofen bei  
München

Tel: 00 49 89 61 393939

Fax: 00 49 89 61 35901

Email: verkauf@farnell.com

Web Site: http://de.farnell.com

**Hot Electronic GmbH**

Wendelsteinweg 11, 82024 Taufkirchen

Tel.: 0 89 666 283-6

Fax: 0 89 61 28 667

Email: info@hot-electronic.de

Web Site: www.hot-electronic.de

## RS Components GmbH

Hessenring 13b, 64546 Mörfelden-Walldorf, Frankfurt

Tel: + 49 6105 401 234  
 Fax: + 49 6105 401 100  
 Email: rs-gmbh@rs-components.com  
 Web-Site: www.rs-components.de

## HONG-KONG

### Birko Electronics Company

Flat N. 4th Floor, Lladro Centre, 72 Hoi Yuen Road, Kwun Tong - Kowloon

Tel: (852) 23440626  
 Fax: (852) 23412069  
 Email: info@birko.com.hk

### Premier Electronics (Farnell-Newark)

Unit 6, G-F Westley Square, 48 Hoi Yuen Road, Kwun Tong

Tel: + 852 226 89888  
 Fax: + 852 229 89899  
 Email: hk-sales@premierelectronics.com  
 Web Site: http://hk.farnell.com/bulgin

### RS Components Ltd

13th Floor, Wyler Centre Phase II, 200 Tai Lin Pai Road, Kwai Chung, Hong Kong

Tel: + 852 2610 2990  
 Fax: + 852 2610 2991  
 Web Site: www.rswwww.com.hk

## HUNGARY

### FARMECO Kft.

Bécsi út 100, H-1034 Budapest, Hungary

Tel/Fax: +36 1 283 2497  
 Email: farmelco@farmelco.hu  
 Web Site: www.farmelco.hu

### SOLAMEX Bt

2601 VÁC, P.O. Box 114, Hungary

Tel: +36 27 315 881  
 Fax: +36 27 319 074  
 Email: solamex@solamex.hu  
 Web Site: www.rs-components.hu

### Farnell Hungary

Tel: 00 44 870 1200 109  
 Email: info-hu@farnell.com  
 Web site: http://hu.farnell.com

### TME Hungary Kft.

Illka u. 46. 1/1, 1143, Budapest

Tel: 00 36 1 220 67 56  
 Fax: 00 36 1 273 03 28  
 Email: tme@tme.hu  
 Website: www.tme.hu

## INDIA

### RS Components & Controls India Ltd

A-9, Sector VIII, NOIDA (Ghaziabad), Uttar Pradesh, India 201301

Tel: + 91 (0)11 8 4541300/4555956/4555957  
 Fax: + 91 (0)11 8 4555954

### Trinity Touch PVT Ltd

D-10, Defence Colony, New Delhi 110024

Tel: +91.11.3089 5900  
 Fax: +91.11. 308 95998  
 Email: postmaster@trinitytouch.com  
 Web Site: www.trinitytouch.com

## Farnell Electronics India Pvt Ltd

Tel: +91 (0) 80 4000 3888  
 Email: india-sales@farnell.com  
 Web Site: http://in.farnell.com

## IRELAND

### Farnell

c/o HMP Secretarial Ltd, Riverside One, Sir John Rogerson's Quay, Dublin 2, Ireland

Tel: 1800 936 198  
 Fax: 1800 936 199  
 Email: ireland-sales@farnell.com  
 Web Site: http://ie.farnell.com

### Radionics Ltd

Glenview Industrial Estate, Herberton Road, Rialto, Dublin 12

Tel: + 353 1 415 3123  
 Fax: + 353 1 415 3111  
 Email: enquiries@radionics.ie

## ISRAEL

### RS

The Central Company for Components Ltd. 3 Platin Naphtali St., Unit 316, New Industrial Zone, Rishon LeZion, P.O.B 17083 Zip code 75653, ISRAEL

Tel: +972-3-951 7222  
 Fax: +972-3-951 7224  
 Email: sales@rsisrael.co.il  
 Web Site: www.rsisrael.com

### Telsys Ltd.

Dvora Hanevia St. Neve Sharet Atidim 3, Tel Aviv 61431

Tel: 03 765 7666  
 Fax: 03 649 7407  
 Web Site: www.telsys.co.il

### Farnell

Tel: 1 80 937 0015  
 Email: israel-sales@farnell.com  
 Web Site: http://il.farnell.com

## ITALY

### Farnell

Corso Europa 20-22, 20020 Lainate (MI)

Tel: +39 02 93995 200  
 Fax: +39 02 93995 300  
 Email: vendite@farnell.com  
 Web Site: http://it.farnell.com

### Omega Fusibili s.p.a.

Via Edison, 10/12, 20090 Assago (Milano)

Tel: + 39 02 488481  
 Fax: + 39 02 4882522  
 Web Site: www.omegafusibili.it

### RS Components S.p.A

Via Cadorna 66, 20090 Vimodrone, Milano

Tel: + 39 02 27 2451  
 Fax: + 39 02 27 425 207  
 Web Site: www.rs-components.it

## JAPAN

### RS Components K. K.

West Tower 12F, Yokohama Business Park (YBP), 134 Godocho, Hodogaya, Yokohama, Kanagawa, P.O. Box 240-0005

Tel: + 45 335 8550  
 Fax: + 45 335 8554  
 Web Site: www.rswwww.co.jp

### Ascot Co., Ltd

Ascot Bldg. 2F, 2-4-8, Doshin, Kita-ku, Osaka 530-0035

Tel: + 81 6 6352 0207  
 Fax: + 81 6 6352 0576  
 Email: sales@ascotkk.co.jp  
 Web Site: www.ascotkk.co.jp

## KAZAKHSTAN

### Prosoft Ltd

108 Profsoyuznaya str., Moscow 117437

Tel: + 7 095 234 0636  
 Fax: + 7 095 234 0640  
 Email: info@prosoft.ru  
 Web Site: www.prosoft.ru

## KOREA

### Dae Hyun Corporation

Ansan Industrial Currency Center 16-105, ~994-5, Wonkok-Dong, Ansan-City, Gyeonggi-Do 425-780

Tel: + 82 031 493 2121  
 Fax: + 82 031 493 6828  
 Email: idaehyunum@kornet.net

## KYRGYZSTAN

### Prosoft Ltd

108 Profsoyuznaya str., Moscow 117437

Tel: + 7 095 234 0636  
 Fax: + 7 095 234 0640  
 Email: info@prosoft.ru  
 Web Site: www.prosoft.ru

## LATVIA

### Arrow Latvia

Brivibs Street 110-1, LV-1001 Riga

Tel: +371 731 1490  
 Fax: +371 731 3195  
 Email: latvia@arrowndic.com  
 Web Site: www.arrowne.com

### TME

Tel: 00 371 28 39 55 14  
 Email: l.breidaks@tme.eu  
 Website: www.tme.eu

## LITHUANIA

### Arrow Lithuania

Studentu 50-146A, LT-51368 Kaunas

Tel: +370 37 759015  
 Fax: +370 37 452801  
 Email: lithuania@arrowne.com  
 Web Site: www.arrowne.com

### TME

Tel: 00 371 28 39 55 14  
 Email: l.breidaks@tme.eu  
 Website: www.tme.eu

**LUXEMBURG****RS BeLux**

Bd Paepsemiaan 22, 1070 Anderlecht, Belgium  
 Tel: +32(0)2 528 07 70  
 Fax: +32(0)2 528 07 80  
 Email: Orders@rs-components.be  
 Web Site: www.rsonline.be

**MALAYSIA****CAREelec SDN BHD**

Suite 501, 3B Wisma Thong Sin, Jalan Tanjung  
 Bungah, 11200 Penang, Malaysia  
 Tel: +60 4 899 3958  
 Fax: +60 4 899 4136  
 Email: sales@careelec.com.my  
 Web Site: www.careelec.com

**Farnell-Newark**

Lot 207, 2nd Floor, Back Tower, Jalan SS13/1K,  
 47500 Subang Jaya, Selangor D.E.  
 Tel: 1800 88 6223  
 Fax: + 60 3 5636 6226  
 Email: my-sales@farnell-newark.com  
 Web Site: http://my.farnell.com

**RS Components Sdn Bhd**

Lot 12, Jalan Pensyarah U1/28, Seksyen U1  
 Hicom Glenmarie Industrial Park, 40150 Shah  
 Alam Selangor Darul Ehsan, Malaysia  
 Tel: + 603 519 3000  
 Fax: + 603 519 3100  
 Email: orders.my@rs-components.com  
 Web Site: www.rswww.com.my

**MEXICO****Ammon & Rizo de Mexico**

Ave. Terranova No. 1079, Col. Providencia,  
 44620 Guadalajara, Jalisco  
 Tel: + 52 33 3641 9900  
 Fax: + 52 33 3642 0710  
 Email: tkessler@ammonrizos.com

**Acotron Electronica Industrial S.A de C.V**

Calzada Federalismo Sur #214, Col. Centro,  
 Guadalajara, Jalisco  
 Tel: 38 26 70 04  
 Fax: 38 36 70 04  
 Email: acotron@acotron.com  
 Web Site: www.actron.com

**MOLDOVA****Prosoft Ltd**

108 Profsoyuznaya str., Moscow 117437  
 Tel: + 7 095 234 0636  
 Fax: + 7 095 234 0640  
 Email: info@prosoft.ru  
 Web Site: www.prosoft.ru

**NETHERLANDS****Farnell**

Postbus 1815, Nautilusweg 39, 3542 AT Utrecht  
 Tel: + 31 30 241 7373  
 Fax: + 31 30 241 7333  
 Email: hollandsales@farnell.com  
 Web Site: http://nl.farnell.com

**RS Components BV**

Bingerweg 19, 2031 AZ Haarlem  
 Tel: + 31 23 516 6500  
 Fax: + 31 23 516 6501  
 Web Site: www.rs-components.nl

**HPR Techniek B.V.**

Stolwijkstraat 33, 3079 DN ROTTERDAM  
 Tel: +31 (0)10 - 292 87 87  
 Fax: +31 (0)10 - 292 87 65  
 Email: info@hprtechniek.nl  
 Web Site: www.hprtechniek.nl

**NEPAL****Trinity Touch PVT Ltd**

D-10, Defence Colony, New Delhi 110024  
 Tel: + 91 11 51295900/909  
 Fax: + 91 11 51551378  
 Email: postmaster@trinitytouch.com  
 Web Site: www.trinitytouch.com

**NEW ZEALAND****Braemac NZ**

11 Huron Street, Takapuna, Auckland, New  
 Zealand  
 Tel: + 9 486 5200  
 Fax: + 9 486 4460  
 Web Site: www.braemac.com.au

**Farnell**

PO Box 74-342, Market Road, Auckland  
 Tel: 0800 90 80 80  
 Fax: 0800 90 80 81  
 Email: nzsales@farnell.com  
 Web Site : http://nz.farnell.com

**RS Components Ltd**

Units 30 & 31 Warehouse World, 761 Great  
 South Road, (P.O. Box 12127), Penrose, Auckland  
 1006  
 Tel: + 64 9 526 1600  
 Fax: + 64 9 579 1700  
 Email: orders.nz@rs-components.com  
 Web Site: www.rsnewzealand.com

**NORWAY****Altex Electronics AB**

Box 855, S-851 24 Sundsvall  
 Tel: 46 (0) 60 16 66 10  
 Fax: 46 (0) 60 17 43 44  
 Email: altex@altex.net  
 Web Site: www.altex.net

**ELFA Skandinavia AS**

Sandakerveien 76, 0483 Oslo  
 Tel: 23 12 49 00  
 Fax: 23 12 49 20  
 Email: order@elfa.se  
 Web Site: www.elfa.se

**Farnell**

Tel: 800 146 70  
 Fax: 800 146 76  
 Email: bestill@farnell.com  
 Web Site: http://no.farnell.com

**RS Components AS**

Hvamsvingen 24, 2013 Skjetten, Norway  
 Tel: 47 64 83 40 00  
 Fax: 47 64 83 40 10  
 E-mail: Salg@rsonline.no  
 Web Site: www.rsonline.no

**Arrow Norway AS**

Trygve Nilsens Vei 8, P.O. Box 92 Furuset, N-  
 1001, Oslo, Norway  
 Tel: +47 52763000  
 Fax: +47 21306550  
 Email: SalesNO@arrownordic.com  
 Web Site: www.arrowne.com

**PAKISTAN****Trinity Touch PVT Ltd**

D-10, Defence Colony, New Delhi 110024  
 Tel: + 91 11 51295900/909  
 Fax: + 91 11 51551378  
 Email: postmaster@trinitytouch.com  
 Web Site: www.trinitytouch.com

**PHILIPPINES****Care Elec**

Suite 501, 3B Wisma Thong Sin, Jalan Tanjung  
 Bungah, 11200 Penang, Malaysia  
 Tel: +60 4 899 3958  
 Fax: +60 4 899 4136  
 Email: sales@careelec.com.my  
 Web Site: www.careelec.com

**RS Components Ltd**

Floor 21 Unit B1, Multinational Bancorporation  
 Centre, 6805 Ayala Avenue Makati City  
 Tel: (632) 888 4030  
 Fax: (632) 888 4034  
 Web Site: www.rsphilippines.com

**Farnell-Newark**

Tel: +63 (2) 892 3883  
 Fax: +63 (2) 892 3882  
 Email: sales@afti.com.ph  
 Web Site: http://ph.farnell.com

**POLAND****ELFA Polska Sp. z o.o.**

Aleje Jerozolimskie 136, 02-305 Warszawa  
 Tel: (022) 520 22 22  
 Fax: (022) 520 22 29  
 Email: order@elfa.se  
 Web Site: www.elfa.se

**OEM Automatic Sp. z o.o.**

ul. Postepu 2, 02-676 Warszawa  
 Tel: +48-22-86 32 722  
 Fax: +48-22-86 32 724  
 Email: info@oemelectronics.pl  
 Web Site: www.oemelectronics.pl

**Transfer Multisort Elektronik Sp. z o.o.**

ul. Ustronna 41, 93-350 Łódź  
 Tel: 00 48 42 645 54 44  
 Fax: 00 48 42 645 54 70  
 Email: bulgin@tme.pl  
 Web Site: www.tme.pl

**Farnell Poland**

Tel: 00800 121 29 67  
 Email: polska@farnell.com  
 Web Site: http://pl.farnell.com

## PORTUGAL

**Farnell**  
Tel: + 34 93 475 8804  
Fax: + 34 93 474 5288  
Email: vendaspt@farnell.com  
Web Site: http://pt.farnell.com

## ROMANIA

**Transfer Multisort Elektronik s.r.l.**  
Str. B.P. Haşdeu nr. 8, 300016, Timișoara  
Tel: 00 40 356 46 74 01  
Fax: 00 40 356 46 74 00  
Email: romania@tme.eu  
Web Site: www.tme.eu/ro

## RUSSIA

**Prosoft Ltd**  
108 Profsoyuznaya str., Moscow 117437  
Tel: + 7 095 234 0636  
Fax: + 7 095 234 0640  
Email: info@prosoft.ru  
Web Site: www.prosoft.ru

## SINGAPORE

**Farnell**  
15 Tai Seng Drive Singapore 535220  
Tel: + 65 6788 0200  
Fax: + 65 6788 0300  
Email: sg-sales@farnell-newark.com  
Web Site: http://sg.farnell.com

**Richco Electronics Pte Ltd**  
41 Tyrwhitt Road, Singapore 207539  
Tel: 65-6291-0777  
Fax: 65-6297-1221  
Email: richco@pacific.net.sg  
Web Site: www.richcoelectronics.com.sg

**RS Components Pte Ltd**  
31 Tech Park Crescent, Singapore 638040  
Tel: + 65 865 3400  
Fax: + 65 865 3800  
Email: orders.sa@rs-components.com  
Web Site: www.rscomp.com.sg

## SLOVAK REPUBLIC

**Farnell Slovakia**  
Tel: 0800 001 332  
Email: predaj@farnell.com  
Web Site: http://sk.farnell.com

**TME**  
Tel: 00 421 911 32 00 77  
Email: tme@tme.sk  
Website: www.tme.sk

## SOUTH AFRICA

**Avnet Kopp (Pty) Ltd.**  
P.O. Box 3853, Rivonia, 2128  
Tel: +27 11 809 6100  
Fax: +27 11 444 1706  
Email: sales@avnet.co.za  
Web Site: www.avnet.co.za

**RS Components SA**  
1 & 2 Indianapolis Street, Kyalami Business Park,  
Kyalami, Midrand  
Tel: + 27 11 466 1565  
Fax: + 27 11 466 1577  
Email: sales@rs.co.za

## SPAIN

**Emelec S.A.**  
Residencial La Riera, 08395 Sant Pol de Mar,  
Barcelona  
Tel: 3 7601166 and 3 7601177  
Fax: 3 7601361

**Farnell**  
Parque Empresarial Cityparc, Edificio Londres 2,  
Ctra de Hospitalet, 147-149, 08940-Cornellá  
Tel: +34 901 20 20 80  
Fax: +34 901 20 20 90  
Email: ventas@farnell.com  
Web Site: http://es.farnell.com

**RS Amidata SA**  
Avda. De Europa 19, Edif 3, 28224 Pozuelo de  
Alarcon, Madrid, Spain  
Tel: +34 91 512 9600  
Fax: +34 91 475 6747  
Email: amidata@rs-components.com  
Web Site: http://rsonline.es

**TC Componentes S.L.**  
Cami de Can Calders, 6, 08190 Sant Cugat Del  
V. Barcelona  
Tel: +34 93 590 28 30  
Fax: +34 93 590 02 67  
Email: info@tc-components.es  
Web Site: www.tc-components.es

## SRI LANKA

**Trinity Touch PVT Ltd**  
D-10, Defence Colony, New Delhi 110024  
Tel: + 91 11 51295900/909  
Fax: + 91 11 51551378  
Email: postmaster@trinitytouch.com  
Web Site: www.trinitytouch.com

## SWEDEN

**ALTEX AB**  
Box 855, S-851 24 Sundsvall  
Tel: 46 (0) 60 16 66 10  
Fax: 46 (0) 60 17 43 44  
Email: altex@altex.net  
Web Site: www.altex.net

**ELFA AB**  
175 80 Järfälla. Elektronikhöjden 14  
Tel: 08 580 941 00  
Fax: 08 580 943 00  
Email: order@elfa.se  
Web Site: www.elfa.se

**Farnell**  
Voltravagen 13A, 168 69 Bromma  
Tel: +468 730 5000  
Fax: + 468 835 262  
Email: sweden-sales@farnell.com  
Web Site: http://se.farnell.com

**OEM Electronics AB**  
Box 1025, SE-573 29 TRANÅS  
Visiting address: Norrabryvägen 6B  
Tel: 075-242 45 00  
Fax: 075-242 45 09  
Email: info@oemelectronics.se  
Web: www.oemelectronics.se

**RS Components AB**  
Box 15, 162 11 Vällingby  
Tel: + 46 8 445 89 00  
Fax: + 46 8 687 11 52  
Web Site: www.rsonline.se

**Arrow Sweden**  
Box 67, Kronborgsgränd 19 SE-164 94 Kista  
Tel: + 46 8 56265500  
Fax: + 46 8 56265550  
Web Site: www.arrowne.com

## SWITZERLAND

**Compona AG**  
Udermülstrasse 16, CH-8320, Fehraltorf  
Tel Switzerland: 0848 840 100  
Tel International: 0041 1 956 21 21  
Fax: +41 (1) 954 26 90  
Email: info@compona.ch  
Web Site: www.compona.ch

**Farnell**  
Brandschenkestr.178, CH-8027, Zurich  
Tel: +41 044 204 64 64  
Fax: +41 044 204 64 54  
Email: verkauf.ch@farnell.com  
Web Site: http://ch.farnell.com

**Sibalco AG**  
Birmannsgasse 8, 4009 Basel  
Tel: +41 (0) 61 264 10 10  
Fax: +41 (0) 61 264 10 15  
Email: info@sibalco.ch  
Web Site: www.sibalco.com

## TAIWAN

**RS Components Ltd.**  
10/F, No 3, Ming Sheng Road, Section 1, Pan  
Chiao, Taipei Hsein  
Tel: + 886 (0)2 2957 9902  
Fax: + 886 (0)2 2959 9844  
Web Site: www.rswww.com.tw

**Powertronics Co. Ltd**  
2F, No. 138, Sec.3, Chung-Shing Road, Shing-  
Tien, Taipei Hsein 231  
Tel: + 886 2 2915 7000  
Fax: + 886 2 2915 3910  
Email: sales@powertronics.com.tw  
Web Site: www.powertronics.com.tw

## TAJIKISTAN

**Prosoft Ltd**  
108 Profsoyuznaya str., Moscow 117437  
Tel: + 7 095 234 0636  
Fax: + 7 095 234 0640  
Email: info@prosoft.ru  
Web Site: www.prosoft.ru

## THAILAND

**Farnell Thailand**  
634/2 Soi Ramkhamhaeng 39 (Thepleela 1),  
Ramkhamhageng Road, Wangthongland,  
Bangkok 10310  
Tel: 0 2530 9099  
Fax: 0 2935 6790  
Email: customer\_service@gti.co.th  
Web Site: http://th.farnell.com



**TURKEY****Metot San.ve Tic. Ltd. Sti**

Atif Bey Mah.,H. Tulu Is Merkezi, 5 Sok. No: 31  
Kat: 1/108 Gaziemir/Izmir

Tel: +90 232 252 4824  
Fax: +90 232 252 4825  
Email: metot@metotltd.com

**TURKMENISTAN****Prosoft Ltd**

108 Profsoyuznaya str., Moscow 117437

Tel: + 7 095 234 0636  
Fax: + 7 095 234 0640  
Email: info@prosoft.ru  
Web Site: www.prosoft.ru

**UK - FULL RANGE DISTRIBUTORS****Anglia**

Sandall Road, Wisbech PE13 2PS

Tel: 01945 474747  
Fax: 01945 474849  
Email: info@anglia.com  
Web: www.anglia.com

**Arrow Electronics (UK) Ltd**

London Road Campus, London Road, Harlow  
CM17 9NA

Tel: 01279 626777  
Fax: 01279 455777  
Email: sales@arrowuk.com  
Web: www.arrowuk.com

**Avnet Abacus**

Unit 5B, Waltham Park, White Waltham,  
Maidenhead, Berkshire SL6 3TP

Tel: +44 (0)1628 512900  
Fax: +44 (0) 1628 512999  
Email: uk@avnet-abacus.eu  
Web: www.avnet-abacus.eu

**E. Preston (Electrical) Ltd**

Broadway, Globe Lane Industrial Estate,  
Dukinfield, SK16 4UU

Tel: 0161 339 5177  
Fax: 0161 343 1935  
Email: sales@epreston.co.uk  
Web: www.epreston.co.uk

**Farnell**

Canal Road, Leeds, LS12 2TU

Tel: 0870 1200 200  
Fax: 0870 1200 201  
Email: sales@farnell.co.uk  
Web: www.farnell.com

**ACAL Technology Ltd**

3 The Business Centre, Molly Millars Lane,  
Wokingham, Berkshire RG41 2EY

Tel: +44 (0)118 978 8878  
Fax: +44 (0)118 977 6095  
Email: acal@acaltechnology.co.uk  
Web: www.acaltechnology.com

**RS Components**

PO Box 99, Corby, Northants, NN17 9RS

Tel: 08457 201201  
Fax: 0845 850 9911  
Web: www.rswww.com

**UK - MARINE DISTRIBUTORS****Index Marine Ltd**

Unit 5 Corry Close, Branksome Business Centre,  
Parkstone, Dorset, BH12 4BQ

Tel: +44 (0)1202 746500  
Email: sales@indexmarine.co.uk  
Web Site: www.indexmarine.co.uk

**UKRAINE****Prosoft Ltd**

108 Profsoyuznaya str., Moscow 117437

Tel: + 7 095 234 0636  
Fax: + 7 095 234 0640  
Email: info@prosoft.ru  
Web Site: www.prosoft.ru

**Biakom Ltd**

23-A, Salutnaya Str., 04111 Kiev

Tel: + 380 44 4220485  
Email: biakom@biakom.kiev.ua  
Web Site: www.biakom.com

**USA****Elektron Technology**

31-315 Plantation Drive, Thousand Palms,  
CA 92276

Tel: 760-343-3650  
Fax: 760-343-3445  
Email: info@bulgincomponents.com  
Web Site: www.elektron-bulgin.com

**Allied Electronics Inc**

7151 Jack Newell Blvd. S. Fort Worth Texas  
76118

Tel: 1-800-433-5700  
Fax: (817) 595-6444  
Web Site: www.alliedelec.com

**Mouser Electronics**

1000 N. Main Street, Mansfield, TX 76063-1514

Tel: (800) 346-6873  
Email: sales@mouser.com  
Web Site: www.mouser.com

**Newark**

4801 N. Ravenswood Chicago, Illinois 60640

Tel: +1-800-4-NEWARK (1-800-463-9275)  
Fax: +1 800 718 1998  
Web Site: www.newark.com

**Peerless Electronics Inc**

700 Hicksville Road, P.O. Box 9052, Bethpage,  
NY 11714

Tel: 800-285-2121 (Int. 516-594-3500)  
Fax: 800-222-8096 (Int. 516-593-2179)  
Web Site: www.peerlesselectronics.com

**Wes-Garde Components Group Inc**

190 Elliott Street, Hartford, CT 06114

Tel: (860) 525 6907  
Fax: (860) 527 6047  
Web Site: www.wesgarde.com

**Master Distributors**

1301 Olympic Blvd., Santa Monica CA 90404

Tel: (310) 452 1229  
Fax: (310) 399 8600  
Web Site: www.masterdistributors.com

**Digi-Key**

701 Brooks Avenue South, Thief River Falls, MN  
56701

Tel: (800) 344 4539  
Fax: (218) 681 3380  
Email: sales@digkey.com  
Web Site: www.digkey.com

**Hawk Electronics**

511 Glen Avenue, Wheeling, IL 60090

Tel: 800-843-4295  
Fax: 847-459-4091  
Email: sales@hawkusa.com  
Web Site: www.hawkusa.com

**UZBEKISTAN****Prosoft Ltd**

108 Profsoyuznaya str., Moscow 117437

Tel: + 7 095 234 0636  
Fax: + 7 095 234 0640  
Email: info@prosoft.ru  
Web Site: www.prosoft.ru

Check the Bulgin website for the latest updates to Distributors and Representatives.

[www.elektron-bulgin.com](http://www.elektron-bulgin.com)

Part No.	Series No.	Page No.	Part No.	Series No.	Page No.	Part No.	Series No.	Page No.
BVA	(All Nos.)	123-124	FX0285	F285	162	MPL034		177
BVB	(All Nos.)	123-124	FX0296	F296	155	MPL038		176
BX0001/1	B1/1	8	FX0296/S	F296/S	155	PF0001	PF1	80
BX0002/1	B2/1	8	FX0296/1	F296/1	155	PF0001/PC	PF1/PC	80
BX0003/1	B3/1	8	FX0321	F321	160	PF0002	PF2	80
BX0011/1	B11/1	8	FX0326	F326	161	PF0006	PF6	85
BX0012/1	B12/1	8	FX0327	F327	161	PF0007	PF7	85
BX0013/1	B13/1	8	FX0330	F330	158	PF0011	PF11	81
BX0016	B16	9	FX0331	F331	161	PF0011/PC	PF11/PC	81
BX0017	B17	9	FX0342	F342	158	PF0016	PF16	85
BX0018	B18	9	FX0345	F345	157	PF0030	PF30	82
BX0023	B23	9	FX0345/A	F345/A	157	PF0030/PC	PF30/PC	82
BX0026	B26	9	FX0354	F354	154	PF0033	PF33	82
BX0027	B27	8	FX0354/S	F354/S	154	PS00/A		132-133
BX0033	B33	11	FX0357	F357	150	PS00/B		134-135
BX0034	B34	10	FX0359	F359	150	PS01/A		132-133
BX0035	B35	10	FX0360	F360	160	PS01/B		134-135
BX0036	B36	11	FX0365	F365	157	PS02/A		136-137
BX0037	B37	11	FX0365/A	F365/A	157	PS02/B		138-139
BX0123		10	FX0367	F367	150	PS03/A		136-137
BXS001/1		7	FX0369/1	F369	150	PS03/B		138-139
BXS002/1		7	FX0369/2	F369	150	PS20/A		140-141
BXS003/1		7	FX0380	F380	162	PS21/A		140-141
BXS011/1		7	FX0385	F385	162	PS25/A		142-143
BXS012/1		7	FX0415	F415	152	PS25/B		144-145
BXS013/1		7	FX0415/S	F415/S	152	PS26/A		142-143
BXS016		7	FX0416	F416	152	PS26/B		144-145
BXS017		7	FX0416/S	F416/S	152	PX0400		40
BXS018		7	FX0417	F417	153	PX0401		40
BZH	(All Nos.)	117-121	FX0418/1	F418	153	PX0402		40
BZM	(All Nos.)	122	FX0418/2	F418	153	PX0407		71
BZV	(All Nos.)	108-116	FX0419	F419	156	PX0408		71
DX0505	D505	166	FX0430/28	F430	149	PX0409		71
DX0506	D506	166	FX0430/48	F430	149	PX0410/P or /S		40
DX0507	D507	167	FX0430/63	F430	149	PX0411/P or /S		40
DX0508	D508	167	FX0430/PC	F430	149	PX0412/P or /S		41
DX0998	D998	168	FX0442		159	PX0413/P or /S		41
DX0999	D999	168	FX0443		159	PX0413/P/PC or /S/PC41		
DX1090	D1090	169	FX0454	F454	151	PX0414/0M50		68
DX1091	D1091	169	FX0454/S	F454/S	151	PX0414/1M00		68
DX1092	D1092	169	FX0455	F455	151	PX0414/1M50		68
DX1093	D1093	169	FX0455/S	F455/S	151	PX0415/1		68
DX1116	D1116	170	FX0456	F456	158	PX0416/1M00		68
DX1117	D1117	170	FX0457	F457	158	PX0416/3M00		68
DX1118	D1118	170	FX0458/1	F458	151	PX0416/5M00		68
DX1119	D1119	170	FX0458/2	F458	151	PX0417		64
DX1120	D1120	168	FX0460	F460	149	PX0418		64
DX1121	D1121	168	FX0461	F461	158	PX0419		65
EXP-0911/02/P or S		15	FX0462	F462	156	PX0460		54
EXP-0911/03/P or S		15	FX0463	F463	156	PX0465		56
EXP-0911/04/P or S		15	KT0006	Kit 6	95	PX0441		59
EXP-0911/05/P or S		15	KT0009	Kit 9	95	PX0442		59
EXP-0911/07/P or S		15	KT0012	Kit 12	95	PX0444		59
EXP-0911/10/P or S		15	MP0012	MP12	194	PX0443		60
EXP-0921/02/P or S		15	MP0012/1	MP12/1	194	PX0446		60
EXP-0921/03/P or S		15	MP0013	MP13	188	PX0447		60
EXP-0921/04/P or S		15	MP0013/2		188	PX0456		60
EXP-0921/05/P or S		15	MP0016	MP16	194	PX0457		60
EXP-0921/07/P or S		15	MP0022	MP22	195	PX0458		60
EXP-0921/10/P or S		15	MP0025		174	PX0464		60
EXP-0931/02/P or S		16	MP0025/2		186	PX0480		41, 61, 68
EXP-0931/03/P or S		16	MP0025/3		184	PX0480/BK		65
EXP-0931/04/P or S		16	MP0027		174	PX0480/1		41
EXP-0931/05/P or S		16	MP0027/2		186	PX0481		41, 68
EXP-0931/07/P or S		16	MP0027/3		184	PX0482		41
EXP-0931/10/P or S		16	MP0031		175	PX0483		41
EXP-0941/02/P or S		16	MP0031/2		187	PX0484		41, 61
EXP-0941/03/P or S		16	MP0031/3		185	PX0485		41, 61, 68
EXP-0941/04/P or S		16	MP0033		188	PX0485/BK		65
EXP-0941/05/P or S		16	MP0033/2		188	PX0575	P575	77
EXP-0941/07/P or S		16	MP0034		175	PX0575/PC	P575/PC	77
EXP-0941/10/P or S		16	MP0034/2		187	PX0578		88
EXP-0990		16	MP0034/3		185	PX0579	P579	78
EXP-0991		16	MP0037		175	PX0580	P580	78
EXP-A911/02/P or S		15	MP0037/2		187	PX0580/PC	P580/PC	79
EXP-A911/03/P or S		15	MP0037/3		185	PX0580/PC/7		79
EXP-A911/04/P or S		15	MP0038		174	PX0580/PC/7LC		79
EXP-A911/05/P or S		15	MP0038/2		186	PX0587	P587	76
EXP-A911/07/P or S		15	MP0038/3		184	PX0587/SE	P587/SE	76
EXP-A911/10/P or S		15	MP0042		189	PX0588	P588	76
EXP-A921/02/P or S		15	MP0045		190-193	PX0590	P590	83
EXP-A921/03/P or S		15	MP0050		183	PX0591		94
EXP-A921/04/P or S		15	MPB031		182	PX0592		94
EXP-A921/05/P or S		15	MPB037		182	PX0594		94
EXP-A921/07/P or S		15	MPB038		182	PX0595	P595	83
EXP-A921/10/P or S		15	MPD031		178	PX0596		93
FX0180	F180	162	MPI001		179, 181	PX0597	P597	83
FX0185	F185	162	MPI002		180, 181	PX0598		93
FX0267	F267	160	MPL025		176	PX0599		93
FX0280	F280	162	MPL027		176	PX0675	P675	89
			MPL031		177	PX0675/PC		89

Part No.	Series No.	Page No.	Part No.	Series No.	Page No.	Part No.	Series No.	Page No.
PX0685	P685	86	PX0833/E		47	PXD701/561/10/1		103
PX0686	P686	86	PX0834/A		47	PXD703/061/10/1		103
PX0686/SE		86	PX0834/B		47	PXD703/561/10/1		103
PX0690	P690	84	PX0835		49,56,65	PXD706/061/10/1		103
PX0691	P691	84	PX0836		47	SA2800		37
PX0691/PC	P691/PC	84	PX0837		47	SA3147	SA3147	37
PX0695	P695	90	PX0838		47	SA3148	SA3148	37
PX0695/PC	P695/PC	90	PX0839/90		48	SA3148/1	SA3148/1	37
PX0705	P705	92	PX0839/IDC		49	SA3149	SA3149	37
PX0707/P or S		29	PX0839/PC		48	SA3149/1	SA3149/1	37
PX0708/P or S		28	PX0840		53	SA3150	SA3150	37
PX0709/P or S		28	PX0841		53	SA3157	SA3157	37
PX0711		31,49,56	PX0842		54	SA3157/1	SA3157/1	37
PX0716		87	PX0843		54	SA3159	SA3159	37
PX0717		88	PX0844		54	SA3159/1	SA3159/1	37
PX0718		87	PX0845		55	SA3179	SA3179	30,42
PX0725	P725	92	PX0846		64	SA3179/1	SA3179/1	30,42
PX0727/P or S	P727/P or S	28	PX0847		65	SA3180	SA3180	30,42
PX0728/P or S	P728/P or S	27	PX0848		55	SA3180/1	SA3180/1	30,42
PX0729/P or S	P729/P or S	27	PX0849		55	SA3229		37
PX0730/P or S	P730/P or S	28	PX0851		64	SA3230		37
PX0731/P or S	P731/P or S	27	PX0852		56	SA3241		37
PX0732/P or S	P732/P or S	27	PX0870		48	SA3242		37
PX0733	P733	31,49,56,65	PX0870/E		48	SA3243		37
PX0734	P734	31	PX0884		72	SA3244		37
PX0735/P or S	P735/P or S	28	PX0885		72	SA3253		30
PX0736/P or S	P736/P or S	27	PX0888		49	SA3319		37
PX0737/P or S	P737/P or S	27	PX0911/02/P or /S		21	SA3320		37
PX0738/P or S	P738/P or S	28	PX0911/03/P or /S		21	SA3347		30,42
PX0739/P or S	P739/P or S	27	PX0911/04/P or /S		21	SA3347/1		30,42
PX0740/P or S	P740/P or S	27	PX0911/05/P or /S		21	SA3348		30,42
PX0741/S/50Ω	P741/S/50Ω	28	PX0911/07/P or /S		21	SA3348/1		30,42
PX0741/S/75Ω	P741/S/75Ω	28	PX0911/10/P or /S		21	SA3349		42
PX0742/P/50Ω	P742/P/50Ω	27	PX0921/02/P or /S		21	SA3349/1		42
PX0742/P/75Ω	P742/P/75Ω	27	PX0921/03/P or /S		21	SA3350		42
PX0743/S/50Ω	P743/S/50Ω	27	PX0921/04/P or /S		21	SA3350/1		42
PX0743/S/75Ω	P743/S/75Ω	27	PX0921/05/P or /S		21	SA3426		30,38
PX0744/P or S	P744/P or S	28	PX0921/07/P or /S		21	VS0001	VS1	196
PX0745/P or S	P745/P or S	27	PX0921/10/P or /S		21	VS0002	VS2	196
PX0746/P or S	P746/P or S	27	PX0931/02/P or /S		22	9820		163
PX0747/P or S	P747/P or S	28	PX0931/03/P or /S		22	11327		163
PX0748/P or S	P748/P or S	27	PX0931/04/P or /S		22	11328		97
PX0749/P or S	P749/P or S	27	PX0931/05/P or /S		22	11987		97
PX0756/P or S	P756/P or S	29	PX0931/07/P or /S		22	12023		30,38
PX0757/P or S	P757/P or S	29	PX0931/10/P or S		22	12023/1		30,38
PX0758/P or S	P758/P or S	29	PX0941/02/P or /S		22	12023/2		30,38
PX0759/S/50Ω	P759/S/50Ω	29	PX0941/03/P or /S		22	12023/5		30
PX0759/S/75Ω	P759/S/75Ω	29	PX0941/04/P or /S		22	12075		97
PX0760/P or S	P760/P or S	29	PX0941/05/P or /S		22	12237		31
PX0761/P or S	P761/P or S	29	PX0941/07/P or /S		22	12297		163
PX0762/P or S	P762/P or S	29	PX0941/10/P or S		22	12734		37
PX0763/S/50Ω	P763/S/50Ω	29	PX0950		23	12734/1		37
PX0763/S/75Ω	P763/S/75Ω	29	PX0960		23	12734/3		37
PX0764/P or S	P764/P or S	29	PX0970		23	12734/3/1		37
PX0765/P or S	P765/P or S	29	PX0980		23	12735		37
PX0766/P or S	P766/P or S	29	PX0990		23	12735/1		37
PX0767/P or S	P767/P or S	29	PX0991		23	12735/3		37
PX0768/P or S	P768/P or S	29	PX0992		23	12735/3/1		37
PX0769/P or S	P769/P or S	29	PXA911/02/P or /S		21	12760		163
PX0776/P or S		27	PXA911/03/P or /S		21	12855		31
PX0778/P or S		27	PXA911/04/P or /S		21	13027		30,42
PX0779/P or S		28	PXA911/05/P or /S		21	13027/1		30,42
PX0777	P777	34	PXA911/07/P or /S		21	13027/2		42
PX0777/CAT5ESTP		51	PXA911/10/P or /S		21	13027/3		30
PX0777/STP		51	PXA921/02/P or /S		21	13170		30
PX0777/UTP		51	PXA921/03/P or /S		21	13826		30
PX0783	P783	91	PXA921/04/P or /S		21	14025		30,42
PX0787/P or S		29	PXA921/05/P or /S		21	14025/1AMP		42
PX0781/P or S		29	PXA921/07/P or /S		21	14025/5AMP		30,42
PX0793	P793	91	PXA921/10/P or /S		21	14025/8AMP		42
PX0794/P or S		27	PXA980		23	14064		97
PX0795/P or S		27	PXD100/050/01/1		100	14150		49
PX0796/P or S		28	PXD200		102	14151		49
PX0797/P or S		29	PXD201		102	14191		56,61,65
PX0798/P or S		29	PXD201/01		102	14192		56,61,65
PX0799		31	PXD201/02		102	14193		56
PX0800	P800	36	PXD301/050/01/1		100	14194		56
PX0801	P801	36	PXD301/050/07/1		100	14199		49
PX0802	P802	36	PXD301/050/08/1		100	14228		96
PX0803	P803	36	PXD301/550/01/1		100	14232		30
PX0804	P804	36	PXD301/550/07/1		100	14232/1		30
PX0805	P805	36	PXD301/550/08/1		100	14277		96
PX0810	P810	37	PXD303/050/01/1		100	14317		96
PX0811	P811	37	PXD303/050/07/1		100	14319		68
PX0812		38	PXD303/050/08/1		100	14340		96
PX0820/P or S		27	PXD303/550/01/1		100	14358		65
PX0821/P or S		27	PXD303/550/07/1		100	14359		65
PX0822/P or S		28	PXD303/550/08/1		100	14563		61
PX0823/P or S		29	PXD306/050/01/1		100	14564		61
PX0824/P or S		29	PXD500/061/10/1		103			
PX0833		47	PXD701/061/10/1		103			

## 0

400 Series Buccaneer	29-44
900 Series Buccaneer	20-25

## A

Appliance Couplers	
EN60 320-1	76-85,93
Appliance Outlets	
EN60 320-2-2	86-92,94
Approvals	197-199
Accessories	
Buccaneer 400 Series	41
Buccaneer 900 Series	23
Buccaneer Ethernet	49
Buccaneer FireWire	65
Buccaneer Mini	37-38
Buccaneer Mini USB	61
Buccaneer SMB	68
Buccaneer Standard	30-31
Buccaneer USB	56
EN60 320 Connectors	95-97
EXPLora	16
Fuseholders	163
Antenna	71
ATEX Zone 2 Connectors	13-16

## B

Backshell	31
Battery Holders	
IP67 Sealed	7
Panel Mounting	8-9
PCB/Base Mounting	10-11
Bezels, Power Inlet/Outlets	
Horizontal, Snap fit	117-121
Vertical, Snap fit	108-116
Vertical, Flange screw fixing	123-124
Bluetooth Cable Replacement	72
BNC Inserts	
Mini Buccaneer	37
Standard Buccaneer	27-28
Brass Chrome Plated Vandal Resistant Switches	182
Buccaneer Waterproof Connectors	
Data	19-44
Power	45-72
Blanking plugs	37

## C

Cable Mounting Connectors	76,83,86,93
Cable Replacement - Bluetooth	72
Captive Carrier Fuseholders	149-158
Circuit Protection	
Fuseholders	147-163
Class I Connectors	76-83,86-91,93-94
Class II Connectors	84-85,92
Clips, Retaining	95

Connectors	
ATEX Zone 2	13-16
Buccaneer 400 Series	39-40
Buccaneer 900 Series	20-25
Buccaneer Cable Joiner	34
Buccaneer FireWire	63-66
Buccaneer Ethernet	46-51
Buccaneer Mini	35-38
Buccaneer Mini USB	58-62
Buccaneer SMB	67-69
Buccaneer Standard	26-34
Buccaneer USB	52-57
Buccaneer Wireless	70-72
Cable Mounting	76,83,86,93
EN60 320-1	76-85,87,93
EN60 320-2-2	86-92,94
EXPLora	13-18
Filtered	131-145
Fused	80-82,85
PCB Mounting	29,41,48,55,77,79-82,84,89-90
Polyflange Power Inlet Modules	123-124
Polysnap Power Inlet Modules	
Horizontal	117-122
Vertical	108-116
Rewirable	76-83,86,93
Sealed	19-69
Waterproof	19-69
Contacts, Buccaneer	
400 Series	42
Mini	37
Standard	30
Contacts Carriers/Inserts, Mini Buccaneer	
Crimp/Solder Contacts	37
Screw Terminal	37
Contact Insertion Tools	30, 37,42
Cord Sets	
Ethernet	47
FireWire	64
Mini USB	59
SMB	68
USB	53
Covers - Insulating	
Fuse	163
Inlets	96,97
Outlets	96,97
Crimp Tools	30,37,42,49

Polyflange Power Inlet Modules	123-124
Polysnap Power Inlet Modules	
Horizontal	117-122
Vertical	108-116
Rewirable	76-83,86,93
Sealed	19-69
Waterproof	19-69

## D

Diodes, Light Emitting	165-172
Distribution Boxes	
Compact	102
Panel	100-101
Rectangular	100-102
Square	103
Switched	100,101,103
Distributors	202-207
Domed Vandal Resistant Switches	184-185

## E

EMC Filtering	131-145
EMI Mains Filters	131-145
EN60 320-1 Appliance Couplers	76-85,93
EN60 320-2-2 Appliance Couplers	86-92,94
Ethernet Buccaneer Waterproof	
Connectors	46-51
EXPLora Zone 2 Connectors	13-16

## F

Filters, Mains	
Base Mounting	136-139
Bulkhead Mounting	136-139
Fused	
Single	140-141
Twin	142-145
Medical	142-145
Panel Mounting	132-135,140-145
Polysnap	125-129
FireWire Buccaneer	63-66
Fuse Cover	163
Fused Inlets	80-82,85
Fuseholders	
5 x 20mm	149-151,154-160,162
6.3 x 32mm	152,161,162
6.3 x 25mm	152,153,156,161,162
Accessories	163
Base Mounting	160-161
Captive Carrier	149,158
Drawer	149
In-Line	162
IP66 Sealed	157, 162
IP68 Sealed	156
Panel Mounting	147-155
P.C.B. Mounting	158-160
Sealed	156,157,162
Snap-fit	149-151,153
Touchproof	149-155,156
Waterproof	156-157,162

## G

Glands/Gland Packs:	
Buccaneer 400 Series	41
Buccaneer 900 Series	23
Buccaneer Mini	38
Buccaneer Standard	30
EXPLora	16

## I

IEC Distribution Boxes	99-103
IEC Inlet/Outlet Modules	87-88
Illuminated Switches	179-181
Indicators	
L.E.D.	165-171
Sealed	166,167,169
Vandal Resistant L.E.D.	166-167
Insertion Tools	30,37,42
Insulation Boots	
Connectors	96-97
Fuseholders	163
International Distributors	203-207
IP Ratings Guide	200
IP66 Rated	
Fuseholders	157
Indicators	169
Switches	174-179,181-182,184-187
IP67 Rated	
Battery Holders	7
Indicators	166-167

IP68 Rated			
Antenna	71		
Buccaneer 400 Series	39-44		
Buccaneer 900 Series	20-25		
Buccaneer Cable Joiner	34		
Buccaneer Ethernet	46-51		
Buccaneer FireWire	63-66		
Buccaneer Mini	35-38		
Buccaneer Standard	26-34		
Buccaneer SMB	67-69		
Buccaneer USB	52-57		
Cable Replacement	72		
Fuseholders	156		
Switches	175,182-183,185,187		
Wireless	70-72		
<b>H</b>			
Hazardous Area Connectors	13-16		
<b>L</b>			
Latching Vandal Resistant Switches	176-177		
LED			
Indicators	166-167		
Vandal Resistant Indicators	179-181		
Low Profile Vandal Resistant Switches	174-183		
<b>M</b>			
Mains Filters			
Base Mounting	136-139		
Bulkhead Mounting	136-139		
Fused			
Single	140-141		
Twin	142-145		
Medical	144-145		
Panel Mounting	132-135,140-145		
Polysnap	125-129		
Mains Inlets			
C13 Type	76		
C14 Type	77-82		
C15 Type	83		
C16 Type	83		
C18 Type	84-85		
C19 Type	93		
C20 Type	93		
Class I	76-83,86-91,93-94		
Class II	84-85,92		
Filtered	132-135,140-145		
Flange Mount	78-80,82-85		
Fused			
Single	80-81,85		
Twin	82		
PC Mount	77,79-82,84		
Snap-fit	77,81-85		
Vertical Flange Mount	78		
Mains Inlet Modules	105-129		
Mains Outlets			
Class I	87-91,94		
Class II	92		
Five way	87-88		
Four way	87-88		
Flange Mount	88-89,91-92,94		
PC Mount	89-90		
Shuttered	91		
Seven way	87-88		
Six way	87-88		
Snap-fit	87-88,90-92,94		
Three way	87-88		
Two way	87-88		
Mini Buccaneer	35-38		
Mini USB Buccaneer	58-62		
<b>O</b>			
Opto			
LED Indicators	166-168		
Vandal Resistant LED Indicators	166-167		
Overmoulded Cable Assemblies			
400 Series Buccaneer	40		
Ethernet Buccaneer	47		
FireWire	64		
Mini USB Buccaneer	59		
Standard Buccaneer	27		
USB Buccaneer	53		
<b>P</b>			
PCB Mounting			
400 Series Buccaneer	41		
Battery Holders	10-11		
Connectors	29,41,48,55,77,79-82,84,89-90		
Ethernet Buccaneer	48		
Fuseholders	158-160		
Mini USB	60-61		
Standard Buccaneer	29		
USB Buccaneer	55		
Plugs & Sockets			
EN60 320-1	76-85,87,93		
EN60 320-2-2	86-92,94		
Filtered	132-135,140-145		
Fused	80-82,85		
PCB Mounting	29,41,48,55,77,79-82,84,89-90		
Snap-fit	77,81-85,87-88,90-92,94		
Waterproof	13-44		
Polarising/Blanking Pins	37		
Polyflange Power Inlet Modules			
Side fixing	123-124		
Top fixing	123-124		
Polysnap Power Inlet Modules			
Horizontal	117-122		
Vertical	180-116		
Prominent Vandal Resistant Switches	186-187		
Push Button Switches	188-195		
<b>R</b>			
Retaining Clips (Connectors)	95		
RJ45 Waterproof Connectors	46-51		
RS232 Cable Replacement	72		
<b>S</b>			
Sealed			
Battery Holders	7		
Connectors	13-69		
Fuseholders	152,157,162		
LED Indicators	166-167,169		
Switches	174-187		
Sealing Caps, Buccaneer			
400 Series	41		
900 Series	23		
Ethernet	49		
EXPLORA	16		
FireWire	65		
Mini	37		
Mini USB	61		
SMB	68		
Standard	31		
USB	56		
Security Switches	174-187		
Selector, Voltage	196		
SMB Buccaneer	67-69		
SMB Antenna	71		
Snap-fit			
Fuseholders	149-151,153		
IEC Inlets	77,81-85		
IEC Outlets	87-88,90-92,94		
Switches			
Pushbutton	188-195		
Security	174-187		
Vandal Resistant			
Brass, Chrome Plated	182		
Domed	184-185		
Illuminated	179-181		
Latching	176-177		
Low Profile	174-183		
Voltage Selector	196		
Waterproof	174-187		
Standard Buccaneer	27-34		
<b>T</b>			
Tools			
Crimp	30,37,44,49		
Insertion	30,37,42		
Touchproof Fuseholders	149-153,156		
Through Panel Sealed			
Illuminated Switches	181		
USB Buccaneer	54		
<b>U</b>			
USB Buccaneer Waterproof Connectors	52-57		
<b>V</b>			
Vandal Resistant			
LED Indicators	166-137		
Switches	174-187		
Voltage Selectors	196		
<b>W</b>			
Waterproof			
Antenna	71		
Battery Holders	7		
Circular Connectors	45-72		
Ethernet Connectors	46-51		
FireWire Connectors	63-66		
Fuseholders	156,157,162		
LED Indicators	166-167,169		
Switches	174-187		
SMB Connectors	67-69		
USB Connectors	52-57		
USB - Mini Connectors	58-62		
Wireless Buccaneer	70-72		
<b>Z</b>			
Zone 2 Connectors	13-16		
Zone 22 Connectors	13-16		

## GENERAL INFORMATION

### Terms and Conditions of Sale

All orders are accepted subject to our Standard Terms & Conditions. Copies of these are available: [www.elektron-technology.com/terms/](http://www.elektron-technology.com/terms/)

### Health & Safety

Bulgin proprietary components are designed, manufactured, assessed and tested to comply with good commercial quality and engineering standards. They are safe and reliable in use within the vast majority of normal environments. In the interest of safety, application in certain extreme destructive or unsuitable environments must be avoided. The following restrictions are given as guidance:

- External or wet areas (exposed to rain or spray), except where designated "Sealed".
- Atmospheres designated as "explosive", except where designated "Gas Tight" or "Explosion Proof".
- Highly corrosive atmospheres or subject to contamination by corrosive chemicals. (Avoid the use of corrosive acid soldering flux. Use an approved Electrical Grade).
- Atmospheres containing a high density of abrasive dust (mechanically operated components).
- Contamination with Silicone or Silicone Compounds (switches).
- Areas or levels unprotected from severe impact by heavy bodies moving in close proximity - (panel mounted components).
- Extremes of temperatures, beyond the specified limits.
- Electric supply voltage or load current above the published maximum ratings.

### General

To ensure electrical safety as far as is reasonably practical, these products should be properly applied, installed and maintained by or under the supervision of competent persons in accordance with good engineering practice.

### Dimensions

All dimensions are in millimetres (mm) unless otherwise stated.

### The CE Marking Directive

Equipment bearing the CE mark is allowed free circulation throughout Europe. The products in this catalogue, when installed correctly, comply with the CE requirements where it relates to them.

### The Low Voltage Directive

The Low Voltage Directive 2006/95/EC seeks to ensure that electrical equipment within certain limits both provides a high level of protection for European citizens and enjoys a single market in the European Union. Where applicable, Bulgin products comply with the requirements of this directive.

### RoHS

These European Directives introduced environmental responsibilities for electrical and electronics equipment manufacturers. The RoHS (Restriction of use of certain Hazardous Substances) regulation (Directive 2002/95/EC) came into force July 2006. The WEEE (Waste Electrical and Electronic Equipment) regulation (Directive 2002/96/EC), came into force January 2007.

The RoHS directive effectively bans the use of certain chemicals, these are defined as:

- Lead
- Cadmium
- Mercury
- Hexavalent Chromium
- Polybrominated Biphenyl (PBB) - flame retardant
- Polybrominated Diphenyl Ether (PBDE) - flame retardant (including Deca BDE)

Action has been taken to ensure all standard products meet the requirements of this directive. All packing carries RoHS compliance information as conformation.

### REACH

REACH (Registration, Evaluation, Authorisation and Restriction of Chemicals) is the new system for controlling chemicals in Europe and became law in the UK on 1 June 2007. Elektron Technology as a manufacturer of articles, are reliant on our supply chain to ensure that the substances/articles we use, are in compliance with the EC1907/2006, REACH Regulations.

Our articles and their packaging, based on our knowledge at this point, do not contain any of the 15 substances on the SVHC Candidate List, dated 28th October 2008, nor any of the 14 substances added to the SVHC Candidate List, dated 13th January 2010, nor Acrylamide added to the SVHC Candidate List, dated 30th March 2010, according to article 59 (1, 10) of Regulation (EC) No. 1907/2006 (REACH), in a concentration above 0.1% weight by weight.

If this situation changes we confirm that this information will be passed through the supply chain in a timely manner.



### **Europe**

Elektron Technology  
Melville Court, Spilsby Road,  
Romford, Essex, England RM3 8SB

Tel: +44 (0)1708 343800

Fax: +44 (0)1708 376544

Email: [europe@elektron-technology.com](mailto:europe@elektron-technology.com)

Web: [www.elektron-bulgin.com](http://www.elektron-bulgin.com)

### **The Americas**

Elektron Technology  
31-315 Plantation Drive,  
Thousand Palms, CA 92276

Phone: 760-343-3650

Fax: 760-343-3445

Email: [americas@elektron-technology.com](mailto:americas@elektron-technology.com)

Web: [www.elektron-bulgin.com](http://www.elektron-bulgin.com)

### **China and Asia**

Elektron Technology  
Building A2, No.23, Xin Buxin Road,  
Tongle Community, Longgang Street,  
Longgang District, Shenzhen, China

Tel: +86 755 3328 8988

Fax: +86 755 3328 8878

Email: [asia@elektron-technology.com](mailto:asia@elektron-technology.com)

Web: [www.elektron-bulgin.com](http://www.elektron-bulgin.com)